

Dovetail Drawer Boxes



*Scan to watch a video about
our dovetail drawer boxes*

Or visit delivr.com/2an3s



Our custom dovetail drawer boxes are available in a wide range of sizes and species making them the perfect fit for any project. Save your labor and upgrade your project with our custom dovetail drawer boxes, proudly assembled in the USA. We can also add value to your project with complimentary laser logo engraving inside the drawer boxes.

Ordering specifications:

- Standard drawer, rollout, or high-back rollout boxes
- Assembled or unassembled
- Standard heights with custom depth & width
- 1/4" standard or 1/2" bottom
- Optional universal notch for undermount slides
- Optional undermount slide clip factory installed

Easy Online
Ordering &
Instant Price
Quoting

See website
for details

Production and delivery:

- Competitive pricing
- Standard 7-day turnaround after order confirmation
- Quick-to-ship production for qualifying states

- A** 5/8" Hard Maple UV Coated or Unfinished
- B** 5/8" Aspen UV Coated
- C** 5/8" White Birch, Imported, Finger Jointed. UV Coated
- D** 5/8" Rustic White Birch, Imported, Finger Jointed .. UV Coated
- E** 5/8" Rubberwood, Imported, Finger Jointed UV Coated
- F** 1/2" Birch Plywood UV Coated or Unfinished
- G** 1/2" Birch Plywood Edgebanded UV Coated

HEIGHT OPTIONS	2"	2.5"	3"	3.5"	4"	5"	6"	7"	8"	9"	9.5"	10"	11"	12"
1/2" Birch Plywood	x	x	x	x	x	x	x	x	x	x	x	x	x	
1/2" Edgebanded Plywood		x	x		x	x	x	x	x	x		x	x	
5/8" Hardwoods	x	x	x	x	x	x	x	x	x	x	x	x	x	x
High-Back (all species)							x	x	x	x	x	x	x	x

*All high-back drawers will have a 3" front and a scoop cutout on the front face. 6" minimum height.

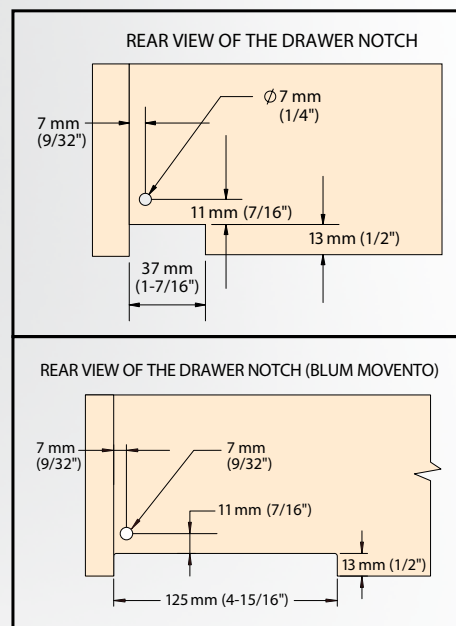
SIZING	Min. Depth	Max. Depth	Min. Width (without clips)	Min. Width (with clips)	Max. Width	Min. Height
Standard Drawer						
5/8" Material	7"	51"	6"	See table below	51"	2"
1/2" Material	7"	51"	6"	See table below	51"	2"
Rollout Drawer						
5/8" Material	7"	51"	6"	See table below	51"	2"
1/2" Material	7"	51"	6"	See table below	51"	2"
High-Back Rollout						
5/8" Material	12"	51"	5-1/2"	See table below	51"	6"
1/2" Material	12"	51"	5-1/2"	See table below	51"	6"

MIN. BOX WIDTH WITH UNDERMOUNT (See clip details on pages 28-29)

	US-CLIP2ND-XX	US-CLIP-2W	US-CLIP-NR	USCLIP500-2-XX
5/8" Material	7.25"	6.25"	4.875"	8.25"
1/2" Material	7"	6"	4.5"	8"

#6 x 5/8" pan head screw recommended for installation.

Drawer boxes are cut and assembled in the USA by Hardware Resources. Hard Maple and Aspen are North American hardwoods. White Birch, Rustic White Birch, and Rubberwood are imported A/B grade hardwood, laminated & finger jointed. Birch plywood is Carb Compliant 9-ply high density plywood with no internal voids. UV cured coating is 100% solid and contains no VOC. Each UV coated piece is double coated to ensure a lasting finish.



Rollouts & High-Back Rollouts



Rollout

High-Back Rollout
(minimum 6" height)

Finger joints may be visible on top edge of box for White Birch

Drawer Box Linear Material



White Birch, Finger Jointed

	Height	Thickness	Coating	Ctn Qty
DW58X030	3"	5/8"	UV Coated	80LF
DW58X035	3-1/2"	5/8"	UV Coated	80LF
DW58X040	4"	5/8"	UV Coated	80LF
DW58X060	6"	5/8"	UV Coated	40LF
DW58X080	8"	5/8"	UV Coated	40LF
DW58X100	10"	5/8"	UV Coated	40LF

White Birch drawer box linear material is sold in 8' lengths in full carton quantity only

Aspen

	Height	Thickness	Coating	Ctn Qty
DA58X030	3"	5/8"	UV Coated	80LF
DA58X040	4"	5/8"	UV Coated	80LF
DA58X060	6"	5/8"	UV Coated	72LF
DA58X080	8"	5/8"	UV Coated	56LF
DA58X100	10"	5/8"	UV Coated	56LF

Aspen drawer box linear material is sold in random lengths of 5'-8'



Complimentary High Definition Laser Engraving on Hardwood Boxes

(upcharge per box for plywood)

Simply provide a high-resolution logo file. We'll do the rest!

Accepted file types are EPS, AI, PDF, PSD, JPEG, PNG, TIFF.

Maximum logo size is 1-1/2" tall x 6" wide. Minimum box height for engraving is 3".

Not available on high-back rollouts or boxes over 24" deep.

Placed on the front left inside edge of the box.

One logo per customer. Logos are kept on file for future orders.

Don't have a logo? Choose from our preselected fonts to customize the company name.

Custom Dovetail Drawer Boxes Warranty

Hardware Resources believes in quality, integrity, and reliability. We uphold the highest standards of service and responsibility in the industry. As such, Hardware Resources believes in quality, integrity, and reliability. We uphold the highest standards of service and responsibility in the industry.

Hardware Resources warrants Dovetail Drawer Boxes against defects in material and workmanship as long as the original consumer purchaser owns the products, if the original consumer purchased the products from an authorized distributor of Hardware Resources. Hardware Resources cannot guarantee the quality or condition of products from distributors who do not agree to meet our high standards, and therefore, no warranty is provided for products from unauthorized sellers.

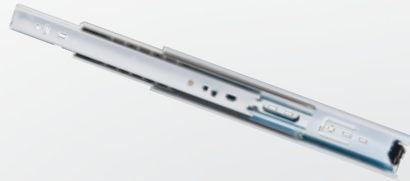
Hardware Resources will send the original consumer purchaser, without charge, a new drawer box of equal size and species to replace any defective box subject to this warranty. This warranty is a warranty of replacement only. Hardware Resources specifically does not warrant removal of the defective box nor installation of a new box. This warranty does not cover boxes that have been incorrectly installed, exposed to excessive loads or forces, or otherwise used in any manner contrary to their intended purpose. Hardware Resources purchases FAS grade lumber and will not be held responsible for naturally occurring characteristics of the species allowed by the lumber grade. In the event the defective Hardware Resources box size or type is obsolete or has been discontinued, Hardware Resources reserves the right to replace the defective box with a current offering. No guarantee of interchangeability is offered.

In the unlikely event that a defective box is encountered, please contact Customer Service at 800.463.0660. Please be able to provide a brief description and photographs of the defect.

Custom Tray Organizers



Rollout Box
(Pages 380-382)



Drawer Slides
(Pages 42-43)



QuickTray Pilaster System
(Page 63)



Customized Storage Solutions



Pots & Lids

Maximize kitchen space with custom storage solutions

Our custom order-to-size rollouts are cut and assembled in our plant in Louisiana. Add our best-selling Dura-Close® drawer slides and our QuickTray pilaster system, and you can create custom storage solutions for your customers. These items are great for pantries, pot and lid storage, small kitchen appliances and miscellaneous kitchen wares. They're customizable for any size cabinet, existing or new construction.



Storage



Pantry

Skip the *measure...design...wait...* process

- Order rollout drawers that are **IN STOCK**
- Ships same day—receive it in 2–3 days
- Ships fully assembled
- Easily and quickly installs with four screws (included)
- For existing cabinets or new construction
- Designed to fit standard cabinet sizes



	Width	Depth	Height	Bottom	Minimum Opening	Standard Cab. Size	Weight Capacity
RO12-WB	10-1/4"	21-1/4"	7"	1/4"	11-1/2"	15" base	100 lb
RO15-WB	13-1/4"	21-1/4"	7"	1/4"	14-1/2"	18" base	100 lb
RO18-WB	16-1/4"	21-1/4"	7"	1/4"	17-1/2"	21" base	100 lb
RO21-WB	19-1/4"	21-1/4"	7"	1/4"	20-1/2"	24" base	100 lb
RO24-WB	22-1/16"	21-1/4"	7"	1/2"	23-1/2"	27" base	100 lb
RO27-WB	25-1/16"	21-1/4"	7"	1/2"	26-1/2"	30" base	100 lb
RO33-WB	31-1/16"	21-1/4"	7"	1/2"	32-1/2"	36" base	100 lb
ROVHB12-WB	10-1/16"	18-7/16"	9"	1/4"	11-1/2"	15" vanity	100 lb
ROVHB15-WB	13-1/16"	18-7/16"	9"	1/4"	14-1/2"	18" vanity	100 lb
ROVHB18-WB	16-1/16"	18-7/16"	9"	1/4"	17-1/2"	21" vanity	100 lb



Beautiful White Birch dovetail boxes with UV coating

Drawer boxes are assembled in our plant in the USA

Featuring concealed undermount 3/4 extension soft-close slides

For your Bath

- Reclaim the space in bathroom cabinets
- 18" depth designed for bath cabinets
- Use multiple rollouts for wide cabinets

High-Back Drawers: 8" Back & 3" Front Drawer Height



For 12" opening
ROVHB12-WB



For 15" opening
ROVHB15-WB



For 18" opening
ROVHB18-WB



ROVHB15-WB & ROVHB12-WB shown in use

For your Kitchen

Rollout Drawers: 6" Drawer Height



For 12" opening
RO12-WB

For 15" opening
RO15-WB

For 18" opening
RO18-WB

For 21" opening
RO21-WB



For 24" opening
RO24-WB
1/2" bottom panel

For 27" opening
RO27-WB
1/2" bottom panel

For 33" opening
RO33-WB
1/2" bottom panel



RO18-WB shown in use



It's That Easy!



1 Measure

Measure the cabinet's interior width, depth and height. Hold your tape parallel to the cabinet's walls. Note any pipes, shelves, or hinges that may affect actual available space.



2 Set

Set your drawer base in place making sure you can open and close the cabinet door easily.



3 Secure

Using your Phillips screwdriver (or drill) and the screws provided, secure your organizer base. Place the drawer back on the base, and you're all done!

All you need:

Phillips Screwdriver

Cordless Drill



OR

Measuring Tape



Scan to watch a video about this product
Or visit delivr.com/2uf4p



Calculating Drawer Box Sizes for Ordering

5/8" Hardwood Drawer Side Material

WIDTH

- When using Hardware Resources (HR) undermount slides, use this calculation:
 $\text{OVERALL WIDTH} = \text{DRAWER OPENING MINUS } 3/8''$.
- When using HR ball bearing or epoxy slides, $\text{OVERALL WIDTH} = \text{DRAWER OPENING MINUS } 1''$.
- When using another manufacturer's slide, follow the manufacturer's slide specifications using 5/8" drawer side material to calculate Overall Width.

HEIGHT

- When using HR undermount slides, $\text{OVERALL HEIGHT} = \text{DRAWER OPENING MINUS } 3/4''$.

LENGTH

- When using HR undermount slides, the OVERALL LENGTH should equal the corresponding slide length (example: if using the USE21 the drawer depth would be 21").
- When using another manufacturer's slide, follow the manufacturer's slide specifications using 5/8" drawer side material to calculate Overall Length.

1/2" Plywood Drawer Side Material

WIDTH

- When using HR undermount slides, $\text{OVERALL WIDTH} = \text{DRAWER OPENING MINUS } 5/8''$.
- When using HR ball bearing or epoxy slides, $\text{OVERALL WIDTH} = \text{DRAWER OPENING MINUS } 1''$.
- When using another manufacturer's slide, follow the manufacturer's slide specifications using 1/2" drawer side material to calculate Overall Width.

HEIGHT

- When using HR undermount slides, $\text{OVERALL HEIGHT} = \text{DRAWER OPENING MINUS } 3/4''$.

LENGTH

- When using HR undermount slides, the OVERALL LENGTH of the box is the corresponding slide length MINUS 1/8" (example: 20-7/8" on a 21" slide).
- When using another manufacturer's slide, follow the manufacturer's slide specifications using 1/2" drawer side material to calculate Overall Length.

