

# Functional

## Functional Hardware

Testing & Certifications	11
<b>What's New?</b>	12–15
Choosing the Right Slide	16–17
Undermount Drawer Slides	
Undermount Slide Comparison Chart	20–21
USE58-500 Dura-Close® Synchronized Soft-Close Slides	22–23
USE58-300 Dura-Close® Heavy-Duty Soft-Close Slides	24–25
USE58 Standard-Duty Soft-Close Slide Kit Series	26–27
Undermount Adjustable Release Clips <b>NEW</b>	28–29
Dura-Close® Metal Drawer Box System	30–31
Heavy-Duty Metal Drawer Box System	32–33
Undermount Shelf Bracket	34
Video Resources for Undermount Slides	35
Ball Bearing Drawer Slides	
Ball Bearing Slide Comparison Chart	38–39
209FU Series Commercial-Grade Slides	40–41
300FU Series Extra Heavy-Duty Slides	42–43
303-200 Series Push-to-Open Slides	44–45
303-300 EZ Series Open Heavy-Duty Soft-Close Slides	46–47
303FUSFT Series Heavy-Duty Soft-Close Slides	48–49
303FU Series Heavy-Duty Slides	50–51
303-50 Series 100 lb. Standard-Duty Slides	52–53
Keyboard Slides	54
Slide Mounting Kit	54
Video Resources for Ball Bearing Slides	55
Epoxy Drawer Slides	
Epoxy Slide Comparison Chart	57
5000 Series Self-Closing Slides	58–59
2000 Series Economy Self-Closing Slides	60–61
9400/9500 Series Double Captive Slides	62
Quick Tray Pilaster System	63
Slide and Hinge Installation Tool	64
Rear Slide Bracket Installation Tool	65
Barn Door Hardware	66–67
Choosing the Right Hinge	68–69
European Hinges	
European Hinge Comparison Chart	72–73
1750 Series Heavy-Duty Hinges with Adjustable Closing Speed <b>NEW</b>	74–75
700 Series Heavy-Duty Soft-Close Hinges	76–79
725 Series Heavy-Duty Hinges	80–83
Mounting Plates for 1750, 725, 700 Series	84–85
Hinge & Plate Selection Guide for 1750, 725, 700	86–87
500 Series Standard-Duty Hinges	88–92
Hinge Installation Tool	93
Mounting Plates for 500 Series	94–95
Hinge & Plate Selection Guide for 500 Series	96–97
45° Corner Overlay Hinge	98–99
90° Blind Corner Hinge	100–101
105° Pie Corner Hinge	102
130° Pie-Cut Corner Hinge	103
Compact Hinges	
Compact Hinge Comparison Chart	106–107
9390ADJ Series Dura-Close® Hinges with Adjustable Closing Speed <b>NEW</b>	108–109
9390 Series Dura-Close® Soft-Close Hinges	110–111
8390 Series Dura-Close® Hinges	112–113
22855 Series Dual Pivot Soft-Close Hinges	114
22855 Series Dual Pivot Hinges	115
3390 Series Economical Hinges	116–117
Soft-Close Dampers	118–119
Hinge Accessories	120
Hinge Boring Machine & Accessories	121
Hinge Mounting Information	122–123
Decorative Hinges	
Self-Closing Overlay Hinge	124
Self-Closing 3/8" Inset Hinge	124
Self-Closing Full Wrap Around Hinges	125
Self-Closing Partial Wrap Around Hinge	126
Free-Swinging Full Wrap Around Hinges	127–128
Free-Swinging Partial Wrap Around Hinges	128–129
Institutional Hinges	130–131
Continuous (Piano) Hinge	132
Butler Tray Hinge	132
False Front Clips	132
Shutter Hardware	
Non-Mortise Hinges	133
Butt Hinges	134–135
Louver Pins	136
Button Catches	136
Screw Selection Guide	137–138
Drive Bits	139
Magnetic Bit Holders	139
Pozi Drive Screwdriver	139
Hardware Attachment Screws	
Flat Head Screws	140–142
Pan Head Screws	143
Oval Head Screws	144
Pan Washer Head Screws	144
Undercut Head Screws	145
Truss Head Screws	145
Euro Screws	146
Truss Head Machine Screws	146
Break Away Truss Head Machine Screws	146
Cabinet Assembly & Installation Screws	
Flat Head with Nib Screws	147
Trim Head Finishing Screws	148
Pocket Hole/Face Frame Screws	148
Bugle Head Drywall Screws	148
Standard Washer Head Screws	149
Large Washer Head Screws	150
Special Application Screws	
Confirmat Flat Head Screws	151
Draw Bolt	151
Connector Bolts	151
Hollow Wall Anchor	151
Countersunk Finishing Washers	151
Shelf Supports and Accessories	
Angled Supports	152
Spoon Supports	153
Standards & Clips	154
Pin Supports	154–155
Plastic Shelf Locks	155
Cabinet and Drawer Accessories	
Door Bumpers	156
Locks	156
Magnetic Catches	157
Roller Catches	158
Elbow Catches	158
Magnetic Touch Latches	158
Rectangular Strike Plates	158
Brackets and Miscellaneous Hardware	
Angled Corner Braces	159
Flat Mending Plates	160
Drawer Adjustment Brackets	160
Plastic Brackets	161
Mirror Hanging Brackets	161

Continued...

## Commercial Hardware

Hinges		Catches	
Institutional Hinges.....	163	Magnetic Catch .....	174
Standards & Brackets		Magnetic Touch Latches .....	174
Heavy-Duty Standards.....	164–165	Elbow Catch .....	175
Extra Heavy-Duty Standards .....	166–167	Strike Plates .....	175–176
Work Station Brackets .....	168–169	Cabinet Locks .....	176–177
Grommets		Shelf Supports.....	178–179
Cable Grommets .....	170	Adjustable Plastic Foot.....	180
Trash Can Grommets .....	171	Leg Levelers .....	181
Connectors		Hanging File Accessories .....	182
Two-Piece Panel Connectors.....	172	Hanging File Kit.....	183
Two-Piece Connector Bolts .....	173	Wire Pulls .....	184
Conformat Flat Head Screws.....	173		

**WARRANTY INFORMATION:** Hardware Resources believes in quality, integrity, and reliability. We uphold the highest standards of service and responsibility in the industry.

As such, Hardware Resources warrants all functional hardware items against defects in material and workmanship as long as the original consumer purchaser owns the products, if the original consumer purchased the products from an authorized distributor of Hardware Resources. Hardware Resources cannot guarantee the quality or condition of products from distributors who do not agree to meet our high standards, and therefore, no warranty is provided for products from unauthorized sellers.

If the finish of any of these items tarnishes, corrodes, rusts, begins to chip or rub off or has any other defect, Hardware Resources will send to the original purchaser, a new replacement product of the same or comparable style and quality at no charge. If a replacement is no longer available, Hardware Resources will refund to the original purchaser, the current wholesale value of the hardware.

This warranty is a warranty of replacement only. Hardware Resources specifically does not warrant removal of the product nor installation of replacement new product. This warranty does not apply when the item has been tampered with, misused, improperly installed, altered from the original form, or damaged through improper cleaning, abuse or accident.

In the unlikely event that a defective functional hardware item is encountered, please contact Customer Service at 800.463.0660. Please be able to provide a brief description and photographs of the defect.

## You Buy. You Try. You Decide.

### How the Trial Order program works

1. Place a Trial Order for any new-to-you functional hardware. Trial Orders can be combined with a regular order. We pay the freight on Trial Orders.
2. Test the products risk-free.
3. If you're not completely satisfied, call us. We'll give you immediate full credit on the Trial Order purchase. We'll arrange for the products to be picked up later—no need to save the original packaging, ship them back, etc. We make it easy. We would appreciate hearing your observations on the products.



### How to order

1. Call **800-463-0660**
2. Use code **TRIAL-HINGE&SLIDE** for the Trial Order products





# Testing & Certifications

Hardware Resources is committed to providing the highest quality products that give a lifetime of consistent, reliable performance through:

- Extensive field testing with our products in the hands of real customers using them in the most challenging real-world applications
- Continuous in-house product testing conducted by our lab technician
- Rigorous third-party testing and certification
- Ensuring that our products meet the required standards set forth by national institutions, such as ANSI and the Architectural Woodwork Institute (AWI)

Throughout our catalog you will see references to various certifications including ANSI/BHMA and the Architectural Woodwork Institute (AWI). See below for some of the most common ratings and their meanings.

For drawer slides:

ANSI/BHMA Slide Grade	Static Load Weight	Cycle Test Rating
Grade 1	75 lb	50,000
Grade 2	50 lb	35,000
Grade 3	50 lb	25,000
1HD-100	100 lb	50,000

For cabinet hinges:

ANSI/BHMA Hinge Grade	Door Weight	Permanent Set Test Load	Cycle Test Rating
Grade 1	40 ± 1/2 lb	160 lbf	100,000 cycles
Grade 2	12 ± 1/2 lb	75 lbf	50,000 cycles
Grade 3	6 ± 1/2 lb	75 lbf	25,000 cycles



sample hinge certification



- Hardware Resources is the “One Stop Shop” for all cabinet manufacturing hardware needs including hinges, slides, screws, door bumpers, shelf pins, catches, and more
- We use third-party testing to meet or exceed ANSI/BHMA standards
- Many of our products are certified by the KCMA and Architectural Woodwork Institute (AWI)
- Hardware Resources is a member of the following trade organizations:






# What's New?

## Heavy-Duty European Hinges with Adjustable Closing Speed

Patented, integrated soft-close European hinge with the ability to fine tune closing speed based on the size and weight of the door.



### Compare the 7 hinges in the 1750 Series

APPLICATION	Full Overlay 0 mm Crank	Half Overlay 9 mm Crank	Full Inset 15 mm Crank
<b>90° Hinge – Restricted</b>			
 Press-in 8 mm Dowels	<b>NEW</b> 1750.0161.25 200/ctn		
<b>110° Hinges</b>			
 No Dowels	1750.0535.25 200/ctn	1750.0536.25 200/ctn	1750.0537.25 200/ctn
 Press-in 8 mm Dowels	1750.0181.25 200/ctn	1750.0179.25 200/ctn	1750.0280.25 200/ctn

Hinges are cam adjustable unless otherwise noted

### Features

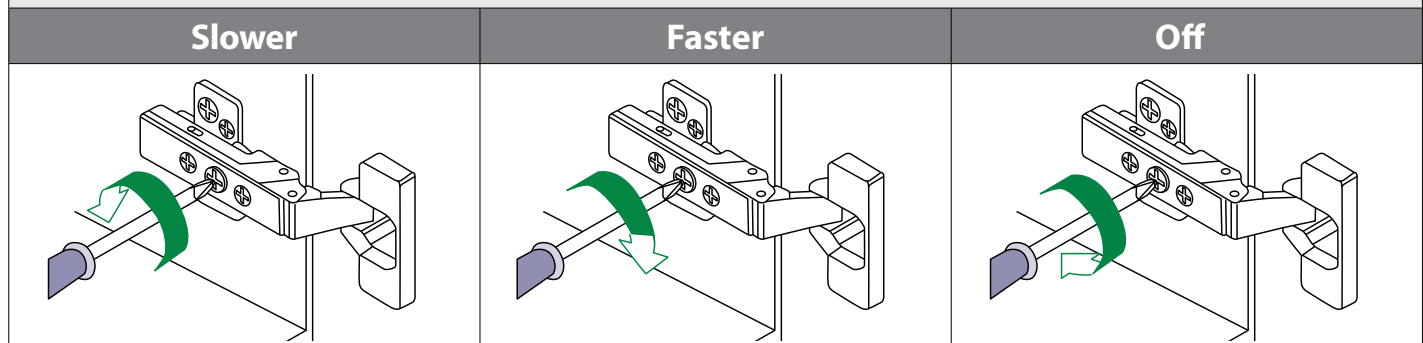
- Patented variable closing speeds enable you to easily match each customer's preferred closing speed for any door size or weight

*US Patents 9,169,681; 9,617,773; & 10,081,975*

- Compatible with 600 Series Mounting Plates
- 90° Restrictor Clip available (Use 700.RC to convert 110° hinges to 90°)

### Soft-close speed adjustment

Rotate center cam screw to increase or decrease door speed. Adjust each soft-close hinge on various door sizes and weights to match door speeds.



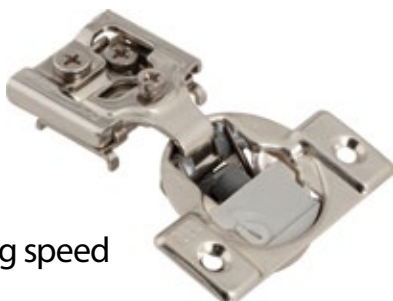
# What's New?

## Dura-Close® Compact Hinges with Adjustable Closing Speed

Match the closing speed of all doors regardless of size with the 9390ADJ hinges. Now large doors and small doors can close at the same speed.

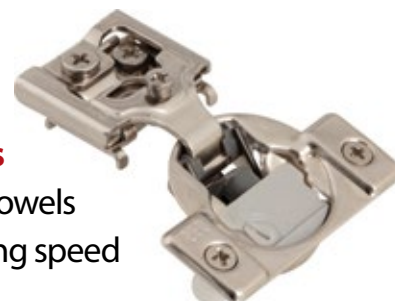
### 9390ADJ Series

No dowels  
Adjustable closing speed



### 9390ADJ Series

Press-in 8 mm dowels  
Adjustable closing speed



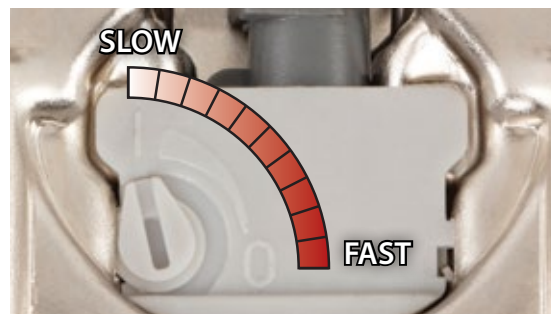
### Features

- 10 levels of soft-close speed adjustment ensure all door sizes will close at the same speed.
- Durable, yet quiet glide channels allow the hinge to operate with less friction and noise. Less friction = extended hinge life.
- 100% steel constructed soft-close piston is stronger and more durable than competitors' plastic soft-close pistons.
- Re-engineered hinge-to-cabinet mounting surface increases the surface area where the hinge contacts the cabinet. This keeps the hinge in place without damaging the face frame.

### Soft-close adjustment mechanism

Turn the dial to any of the 10 positions to adjust the closing speed of the door. We recommend using a 3/16" slotted screwdriver to adjust the soft-close.

Use this feature to easily match closing speeds across different door sizes.



| = Strongest soft-close; slowest closing  
0 = Soft-close off; fastest closing

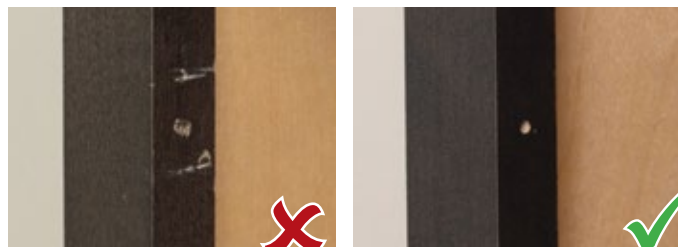
### Stronger 100% steel soft-close piston

Our new steel soft-close piston is manufactured to outlast competitors' plastic pistons.



### Mark-free removal

Better contact surface allows for repeated removal without damage to the cabinet surface.



# What's New?

## Best-In-Class Attachment Clips for USE58-500 Dura-Close® Synchronized Soft-Close Slides

### Superior Adjustability:

- Intuitive alignment wheels (See details on next page)
- Center marker on left/right wheel provides convenient neutral starting point for adjustments

### Easier Installation:

- Redesigned latch for better slide engagement

### Modified Attachment Points:

- Improved angle attachment points for easier installation
- Clips remain flush with bottom of drawer box



**USCLIP500-2-6WZ**

6-way adjustable,  
with zinc base



**USCLIP500-2-4WZ**

4-way adjustable,  
with zinc base



**USCLIP500-2-4W**

4-way adjustable

### Compatible Slides:

#### USE58-500 Series

Dura-Close® Synchronized Soft-Close Slides

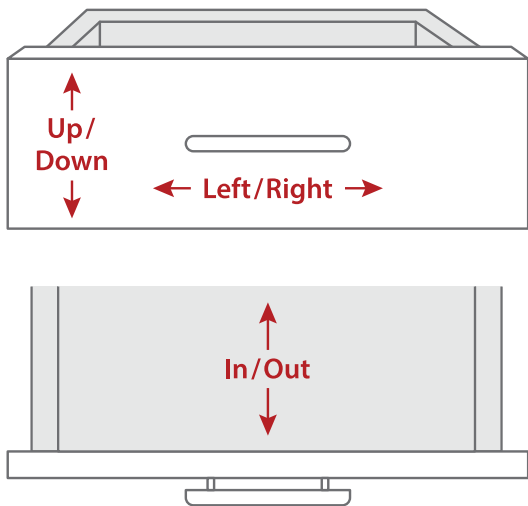
These undermount slides feature a rack and pinion system to prevent racking that is common in wide or shallow drawers

To see the synchronization  
in action, scan QR below  
[delivr.com/2m55n](https://delivr.com/2m55n)



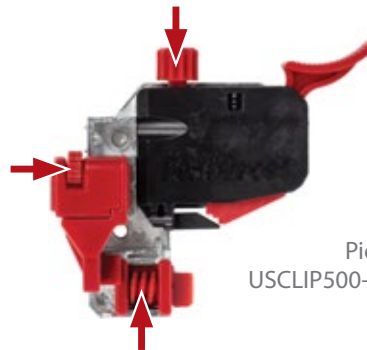


# What's New?



**Left/Right Adjustment**  
(Available on 4-way and 6-way clips)

**In/Out Adjustment**  
(Available on 6-way clips)



**Up/Down Adjustment**  
(Available on 4-way and 6-way clips)

Pictured:  
USCLIP500-2-6WZ

### 500 Series 6-Way Heavy-Duty Adjustable Clip with Zinc Base



- **Vertical adjustment:** Up to 3 mm (1/8")
- **Horizontal adjustment:** +/- 2 mm (5/64")
- **Depth adjustment:** Up to 3 mm (1/8")
- **Works for inset applications**
- **Heavy-duty die cast zinc base**



9,101,213; 9,386,849;  
9,408,463; 9,782,000; 9,986,829

Description	Part Number	Ctn Qty
6-way adjustable clip with zinc base	USCLIP500-2-6WZ	200/ctn Packaged by pair (L/R)

### 500 Series 4-Way Heavy-Duty Adjustable Clip with Zinc Base



- **Vertical adjustment:** Up to 3 mm (1/8")
- **Horizontal adjustment:** +/- 2 mm (5/64")
- **Heavy-duty die cast zinc base**



9,986,829

Description	Part Number	Ctn Qty
4-way adjustable clip with zinc base	USCLIP500-2-4WZ	200/ctn Packaged by pair (L/R)

### 500 Series 4-Way Standard-Duty Adjustable Clip



- **Vertical adjustment:** Up to 3 mm (1/8")
- **Horizontal adjustment:** +/- 2 mm (5/64")



9,386,849; 9,408,463; 9,782,001

Description	Part Number	Ctn Qty
4-way adjustable clip	USCLIP500-2-4W	200/ctn Packaged by pair (L/R)

#### DRAWER BOX MINIMUM WIDTH (VARIES BY CLIP)

	USCLIP500-2-6WZ	USCLIP500-2-4WZ	USCLIP500-2-4W
5/8" (16 mm) material	8.25"	8.25"	8.25"
1/2" (13 mm) material	8"	8"	8"

#6 x 5/8" pan head screw recommended for installation

#### Trial Order Program

Place an order to try these clips. If you're not satisfied, we'll immediately credit your account. Guaranteed! Call us for details.



# Choosing Slides for the Job



Each drawer application calls for a certain type of slide. Hardware Resources has outlined each slide type's defining features and benefits to help make it easy to choose the best slide style for your customer.

## Undermount Slides



- Slides are concealed from view, letting the drawer box's beauty shine
- Synchronized option removes the side-to-side racking
- Reduced side spacing decreases the gap between the drawer box and the cabinet opening
- Full extension
- Soft-close movement standard



View our Undermount Clip options on pages 28-29



*View details about each Undermount Slide series on pages 20-27*



# Ball Bearing Slides



- Full extension
- Soft-close options available
- Push-to-open options available
- Wide selection of lengths and weight ratings available

*View details about each Ball Bearing Slide series on pages 38-53*



# Epoxy Slides



- 3/4 extension
- Self-close movement

*View details about each Epoxy Slide series on pages 56-62*



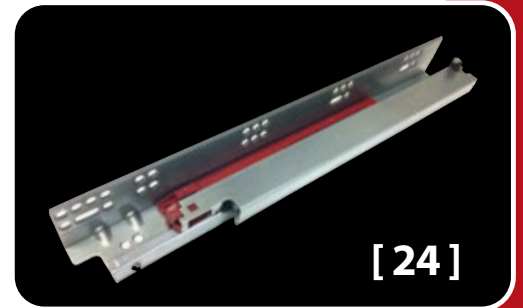


**Dura-Close® Synchronized Soft-Close Slides:  
USE58-500 Series**



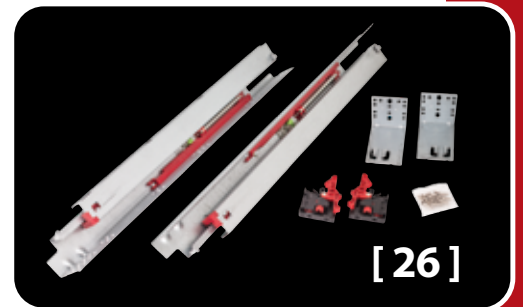
[ 22 ]

**Dura-Close® Heavy-Duty Soft-Close Slides:  
USE58-300 Series**



[ 24 ]

**Standard-Duty Soft-Close Slide Kits:  
USE58 Slide Kit Series**



[ 26 ]

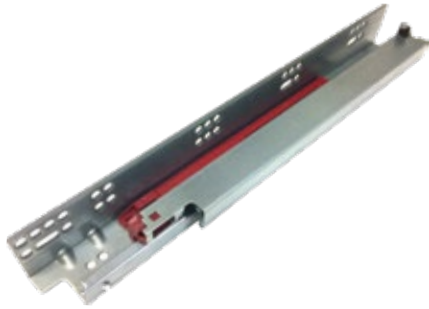


# HR Series Comparison

## Undermount Slides



Series	USE58-500
Category	Synchronized to Reduce Racking
Grade 1 ANSI/BHMA Certified	100 lb.
Synchronization for Reduced Racking	✓
Patented Attachment Clips with 6-Way Adjustability	✓
EZ Open: Relaxed pull force for easy opening	✓
Slotted Mounting Holes for Micro Adjustments	✓
Soft-Close	✓
Lengths	12"-24"
Compatible Clips	USCLIP500-2-6WZ, USCLIP500-2-4WZ, USCLIP500-2-4W



<b>USE58-300</b>	<b>USE58</b>
<b>EZ Open</b>	<b>All-In-One Kit</b>
100 lb.	100 lb.
✓	
✓	
✓	
✓	✓
9"-24"	12"-21"
USCLIP2ND-6WZ, USCLIP2ND-4WZ, USCLIP2ND-4W, US-CLIP-NR, US-CLIP-2W	USE58-CLIP-4W, USE58-CLIP-2W

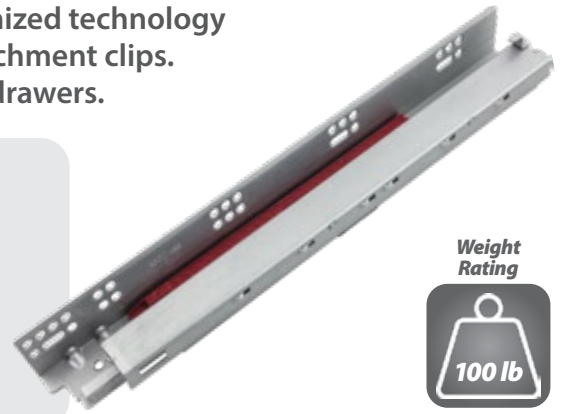
# Dura-Close® Synchronized Soft-Close Slides

## USE58-500 Series

Hardware Resources combined the latest in soft-close synchronized technology with relaxed, easy-to-open pull force and our best-in-class attachment clips. Our rack and pinion system reduces racking for heavy or wide drawers.

### Features

- Relaxed pull force
- Grade 1 ANSI/BHMA certified to ANSI 50,000 cycles
- 100 lb. weight rating
- Compatible with our best-in-class line of attachment clips
- Worry-free positive drawer box engagement
- Reduces racking for heavy or wide drawers






### Specs

- Full extension
- Compatible with 1/2" and 5/8" drawer box material
- Screw holes for bottom mounting
- Slotted mounting holes for micro adjustments
- Clips sold separately

### Ordering

*Dura-Close® Heavy-Duty Slide  
1/2" or 5/8" drawer box material*

Slide Length (sold by the pair)	Part Number
12" Full Extension Slide	USE58-500-12
15" Full Extension Slide	USE58-500-15
18" Full Extension Slide	USE58-500-18
21" Full Extension Slide	USE58-500-21
24" Full Extension Slide	USE58-500-24

Rear brackets (sold by the pair)	Part Number
 <b>Steel Rear Bracket for Face Frame Application</b> Slotted installation holes for vertical & horizontal adjustment	USE-STEEL 100 pr/ctn
 <b>Plastic Rear Bracket for Face Frame Application</b> Dowels plug into predrilled 8 mm system holes Bracket provides wide range of lateral adjustment	USE-ADJ 250 pr/ctn
 <b>Plastic Rear Bracket for Face Frame Application</b> Dowels plug into predrilled 8 mm system holes Bracket provides wide range of lateral adjustment	USE-ADJ5 250 pr/ctn

#6 x 5/8" pan head screw recommended for installation

**Compatible with these clips**  
*(Details on page 28)*

6 Way Adjustable, Zinc  
USCLIP500-2-6WZ



4 Way Adjustable, Zinc  
USCLIP500-2-4WZ



4 Way Adjustable  
USCLIP500-2-4W



Weight Rating



Hole Pattern



Finish



Travel



Certification



Lengths



Packaging

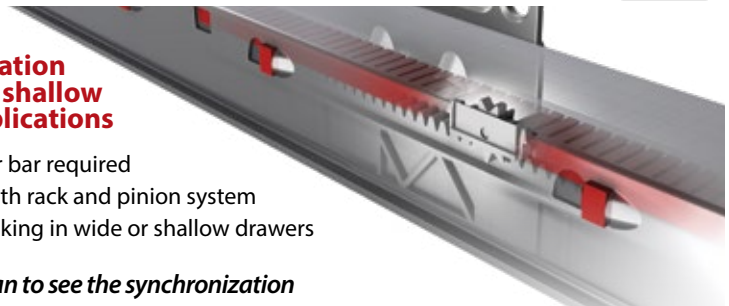


### Superior synchronization for wide or shallow drawer applications

- No stabilizer bar required
- Achieved with rack and pinion system
- Prevents racking in wide or shallow drawers



Scan to see the synchronization in action  
[delivr.com/2m55n](http://delivr.com/2m55n)





# Dura-Close® Synchronized Soft-Close Slides

## USE58-500 Series

**Undermount Slides**

### Construction & Assembly Specifications

Slide Length	Total Cabinet Depth	Overall Drawer Length	FRAMELESS		FACE FRAME	
			Min Inside Cabinet Depth	Min Inside Cabinet Depth	Max Inside Cabinet Depth	
USE58-500-12 - (12") drawer						
12-9/16" 319 mm	15" 381 mm	12" 305 mm	12-5/8" 321 mm	12-7/8" 326 mm	14" 356 mm	
USE58-500-15 - (15") drawer						
15-5/16" 389 mm	18" 457 mm	15" 381 mm	15-5/8" 397 mm	15-7/8" 403 mm	17" 432 mm	
USE58-500-18 - (18") drawer						
18-5/16" 465 mm	21" 533 mm	18" 457 mm	18-5/8" 473 mm	18-7/8" 479 mm	20" 508 mm	
USE58-500-21 - (21") drawer						
21-5/16" 541 mm	24" 610 mm	21" 533 mm	21-5/8" 549 mm	21-7/8" 555 mm	23" 584 mm	
USE58-500-24 - (24") drawer						
24-5/16" 618 mm	27" 686 mm	24" 610 mm	24-5/8" 625 mm	24-7/8" 632 mm	26" 660 mm	

MAXIMUM DRAWER HEIGHT = OPENING MINUS 19 MM (3/4")

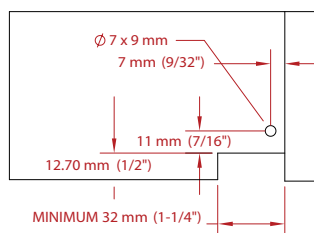
DRAWER BOX MINIMUM WIDTH

5/8" (16 mm) material	8.25"
1/2" (13 mm) material	8"

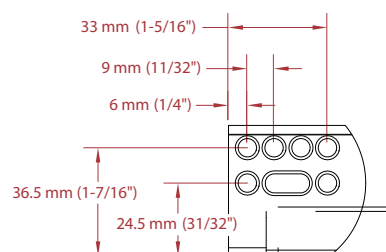
OUTSIDE DRAWER WIDTH CALCULATIONS

Drawer Side Thickness	Inside Cabinet Width Deduction
<b>5/8"</b> 16 mm	<b>3/8"</b> 10 mm
19/32" 15 mm	15/32" 12 mm
9/16" 14 mm	9/16" 14 mm
<b>1/2" Hardwood</b> 13 mm	<b>5/8"</b> 16 mm
<b>1/2" Plywood</b> 12 mm	<b>13/16"</b> 20 mm
15/32" 12 mm	23/32" 18 mm

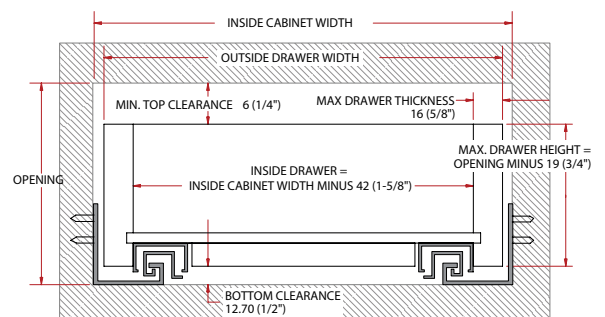
REAR NOTCH DIMENSIONS



FRONT HOLE PATTERN



FRONT VIEW OF THE DRAWER INSIDE THE CABINET



Assume 3 mm (1/8") setback from drawer opening

Rear brackets for face frame applications will yield a 5–41 mm (3/16"–1-5/8") depth adjustment

For inset drawer front applications:

Setback: 4 mm (5/32") + Drawer Front Thickness

For frameless cabinets, Inside Cabinet Depth Minimum = Slide Length + Setback + 3 mm (1/8")

For face frame cabinets, Inside Cabinet Depth Minimum = Slide Length + Setback + 5 mm (3/16")

For face frame cabinets, Inside Cabinet Depth Maximum = Slide Length + Setback + 41 mm (1-5/8")



## USE58-300 Series

The Dura-Close® Heavy-Duty USE58-300 Series boasts premium features like relaxed pull force, robust 100 lb. weight rating, and soft-close. This slide has proven its reliability with years of solid performance in both residential and commercial jobs.

### Features





- Relaxed pull force
- Grade 1 ANSI/BHMA certified to 1.5X ANSI 75,000 cycles
- 100 lb. weight rating
- Compatible with our best-in-class line of attachment clips
- Worry-free positive drawer box engagement

### Specs

- Full extension
- Compatible with 1/2" and 5/8" drawer box material
- Screw holes for bottom mounting
- Slotted mounting holes for micro adjustments
- Clips sold separately

### Ordering

Slide Length (sold by the pair)	Part Number
9" Full Extension Slide	USE58-300-9
12" Full Extension Slide	USE58-300-12
15" Full Extension Slide	USE58-300-15
18" Full Extension Slide	USE58-300-18
21" Full Extension Slide	USE58-300-21
24" Full Extension Slide	USE58-300-24

Rear brackets (sold by the pair)	Part Number
 <b>Steel Rear Bracket for Face Frame Application</b> Slotted installation holes for vertical & horizontal adjustment	USE-STEEL 100 pr/ctn
 <b>Steel Rear Bracket for Face Frame Application</b> For use with the USE58-300-9 (9" undermounts only) Slotted installation holes for vertical & horizontal adjustment	USE-STEEL-309 100 pr/ctn
 <b>Plastic Rear Bracket for Face Frame Application</b> Dowels plug into predrilled 8 mm system holes Bracket provides wide range of lateral adjustment	USE-ADJ 250 pr/ctn
 <b>Plastic Rear Bracket for Face Frame Application</b> Dowels plug into predrilled 8 mm system holes Bracket provides wide range of lateral adjustment	USE-ADJ5 250 pr/ctn

#6 x 5/8" pan head screw recommended for installation

Assume 3 mm (1/8") setback from drawer opening

Rear brackets for face frame applications, except USE-STEEL-9, will yield a 5–41 mm (3/16"–1-5/8") depth adjustment

For inset drawer front applications:

Setback: 4 mm (5/32") + Drawer Front Thickness

For frameless cabinets, Inside Cabinet Depth Minimum = Slide Length + Setback + 3 mm (1/8")

For face frame cabinets, Inside Cabinet Depth Minimum = Slide Length + Setback + 5 mm (3/16")

Inside Cabinet Depth Maximum = Slide Length + Setback + 41 mm (1-5/8")



Compatible with these clips (Details on page 29)

6 Way Adjustable, Zinc  
UCLIP2ND-6WZ



4 Way Adjustable, Zinc  
USCLIP2ND-4WZ



4 Way Adjustable  
USCLIP2ND-4W



2 Way Adjustable, Narrow  
US-CLIP-NR



2 Way Adjustable  
US-CLIP-2W



Weight Rating



Hole Pattern



Finish



Travel



Certification



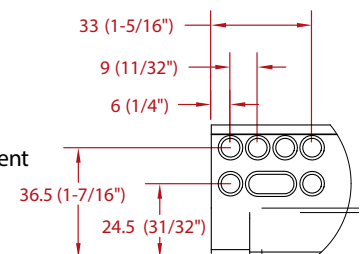
Lengths



Packaging



FRONT HOLE PATTERN

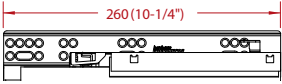
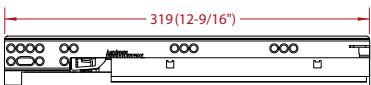
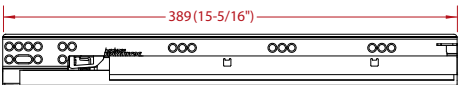
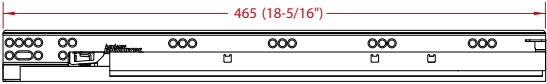
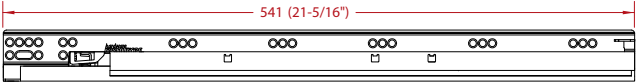
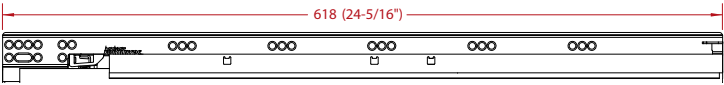


# Dura-Close® Heavy-Duty Soft-Close Slides

## USE58-300 Series

**Undermount Slides**

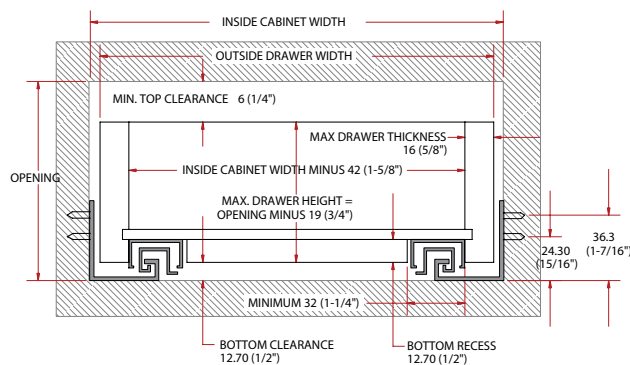
### Construction & Assembly Specifications

	Slide Length	Total Cabinet Depth	Overall Drawer Length	FRAMELESS	FACE FRAME	
				Min Inside Cabinet Depth	Min Inside Cabinet Depth	Max Inside Cabinet Depth
						
USE58-300-9 - (9") drawer						
	10-1/4"	12"	9"	10-1/2"	10-1/2"	11-3/4"
	260 mm	305 mm	229 mm	266 mm	266 mm	299 mm
						
USE58-300-12 - (12") drawer						
	12-9/16"	15"	12"	12-5/8"	12-7/8"	14"
	319 mm	381 mm	305 mm	321 mm	326 mm	356 mm
						
USE58-300-15 - (15") drawer						
	15-5/16"	18"	15"	15-5/8"	15-7/8"	17"
	389 mm	457 mm	381 mm	397 mm	403 mm	432 mm
						
USE58-300-18 - (18") drawer						
	18-5/16"	21"	18"	18-5/8"	18-7/8"	20"
	465 mm	533 mm	457 mm	473 mm	479 mm	508 mm
						
USE58-300-21 - (21") drawer						
	21-5/16"	24"	21"	21-5/8"	21-7/8"	23"
	541 mm	610 mm	533 mm	549 mm	555 mm	584 mm
						
USE58-300-24 - (24") drawer						
	24-5/16"	27"	24"	24-5/8"	24-7/8"	26"
	618 mm	686 mm	610 mm	625 mm	632 mm	660 mm

#### DRAWER BOX MINIMUM WIDTH (VARIES BY CLIP)

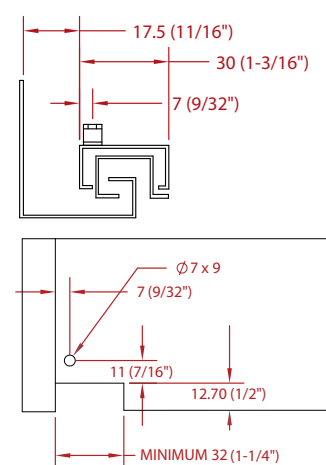
	US-CLIP2ND-6WZ	US-CLIP2ND-4WZ	US-CLIP2ND-4W	US-CLIP-2W	US-CLIP-NR
5/8" (16 mm) material	7.25"	7.25"	7.25"	6.25"	4.75"
1/2" (13 mm) material	7"	7"	7"	6"	4.5"

#### FRONT VIEW OF THE DRAWER INSIDE THE CABINET



**MAXIMUM DRAWER HEIGHT =  
OPENING MINUS 19 MM (3/4")**

#### REAR NOTCH DIMENSIONS



#### OUTSIDE DRAWER WIDTH CALCULATIONS

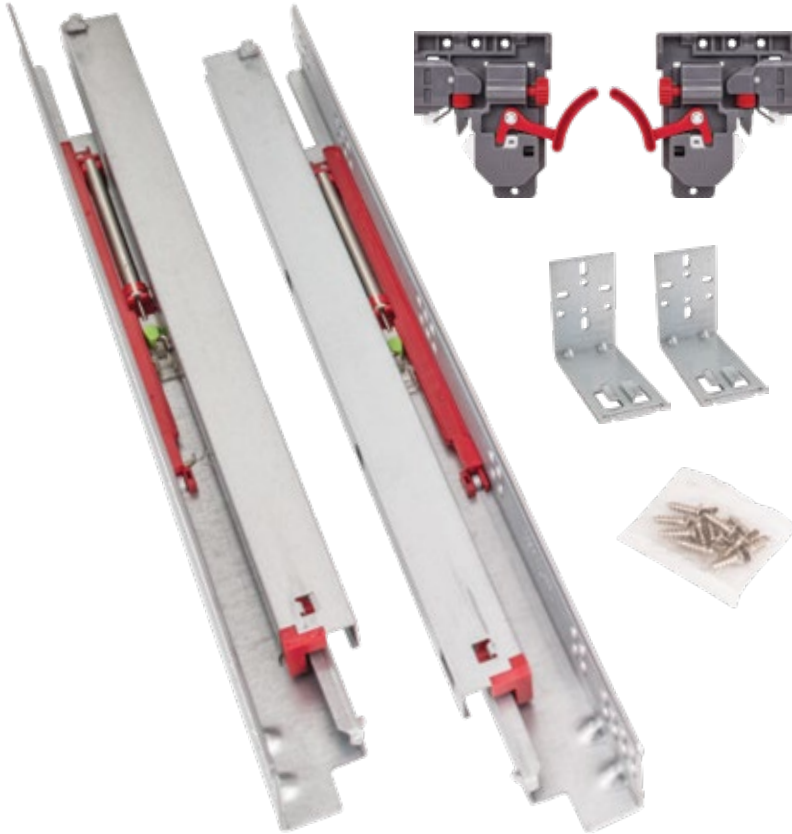
Drawer Side Thickness	Inside Cabinet Width Deduction
<b>5/8"</b> 16 mm	<b>3/8"</b> 10 mm
19/32" 15 mm	15/32" 12 mm
9/16" 14 mm	9/16" 14 mm
<b>1/2" Hardwood</b> 13 mm	<b>5/8"</b> 16 mm
<b>1/2" Plywood</b> 12 mm	<b>13/16"</b> 20 mm
15/32" 12 mm	23/32" 18 mm

# Standard-Duty Soft-Close Slide Kits

## USE58 Slide Kit Series

Hardware Resources' All-In-One USE58 Kit is the perfect economy solution for everyday residential cabinet needs.

**Sold with Slides, Clips, Brackets, and Screws**



- Full-extension undermount slide completely hidden from the user
- Soft-close feature automatically engages the drawer and brings it to a swift, soft and quiet close
- 100 lb. weight rating
- Works in a wide variety of applications: Face frame, frameless, overlay, and inset cabinets for drawers up to 5/8" thick
- Choose between 2-way and 4-way release clip options to be included
- Steel rear brackets for face frame application and (12) #7 x 14 mm flat head Phillips wood screws included
- Sold in cartons of 6 pairs only

### Ordering

Slide Length (sold by carton only)	1/2" or 5/8" drawer box material	
	Part Number (6 pr/carton)	
12" Full Extension Slide	USE58-12 <sup>†</sup> 2-way clips included	USE58-12-4W 4-way clips included
15" Full Extension Slide	USE58-15 <sup>†</sup> 2-way clips included	USE58-15-4W 4-way clips included
18" Full Extension Slide	USE58-18 <sup>†</sup> 2-way clips included	USE58-18-4W 4-way clips included
21" Full Extension Slide	USE58-21 <sup>†</sup> 2-way clips included	USE58-21-4W 4-way clips included

*2-way adjustable clips also available for narrower drawers*  
USE58-CLIP-2W



**Vertical Adjustment (2W/4W)**  
Up to 3 mm (1/8")

**Horizontal Adjustment (4W)**  
Up to +/- 2 mm (5/64")

Ctn Qty: 50/ctn  
Packaged by pair (L/R)

<b>Weight Rating</b> 100 lb	<b>Hole Pattern</b> 32 mm	<b>Finish</b> Zinc
<b>Travel</b> Full	<b>Lengths</b> 12"-21"	<b>Packaging</b> 6 pr/box

These products are being retired.  
Check availability online or call for products marked with "†".

800.463.0660 | www.HardwareResources.com

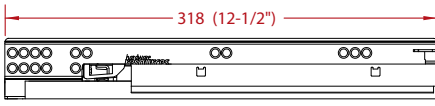
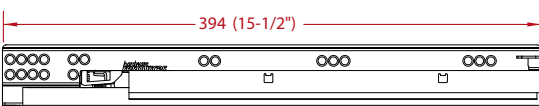
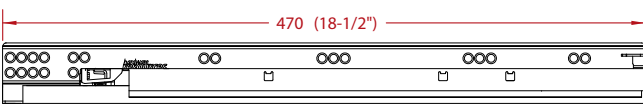
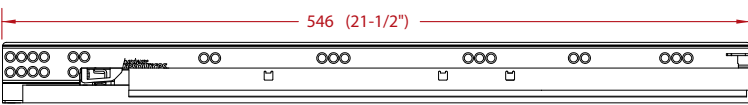


# Standard-Duty Soft-Close Slide Kits

## USE58 Slide Kit Series

**Undermount  
Slides**

### Construction & Assembly Specifications

				FRAMELESS	FACE FRAME	
	Slide Length	Total Cabinet Depth	Overall Drawer Length	Min Inside Cabinet Depth	Min Inside Cabinet Depth	Max Inside Cabinet Depth
	12-1/2" 318 mm	15" 381 mm	12" 305 mm	12-5/8" 321 mm	12-7/8" 326 mm	14-9/16" 369 mm
	15-1/2" 394 mm	18" 457 mm	15" 381 mm	15-11/16" 398 mm	15-7/8" 403 mm	17-9/16" 446 mm
	18-1/2" 470 mm	21" 533 mm	18" 457 mm	18-11/16" 474 mm	18-7/8" 479 mm	20-9/16" 522 mm
	21-1/2" 546 mm	24" 610 mm	21" 533 mm	21-11/16" 550 mm	21-7/8" 555 mm	23-9/16" 598 mm

Assume 3 mm (1/8") setback from drawer opening

Rear brackets for face frame applications will yield a 5–48 mm (3/16"–1-7/8") depth adjustment

For inset drawer front applications:

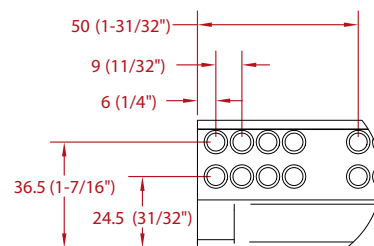
Setback: 5 mm (3/16") + Drawer Front Thickness

For frameless cabinets, Inside Cabinet Depth Minimum = Slide Length + Setback + 3 mm (1/8")

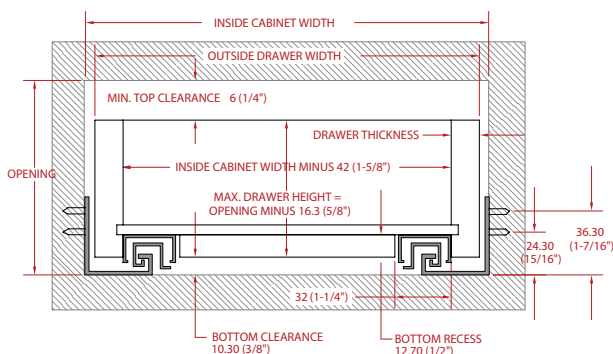
For face frame cabinets, Inside Cabinet Depth Minimum = Slide Length + Setback + 5 mm (3/16")

Inside Cabinet Depth Maximum = Slide Length + Setback + 48 mm (1-5/16")

#### FRONT HOLE PATTERN

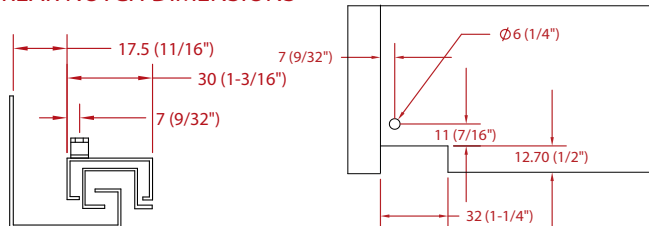


#### FRONT VIEW OF THE DRAWER INSIDE THE CABINET



MAXIMUM DRAWER HEIGHT = OPENING MINUS 19 MM (3/4")

#### REAR NOTCH DIMENSIONS



#### OUTSIDE DRAWER WIDTH CALCULATIONS

Drawer Side Thickness	<b>5/8"</b> 16 mm	19/32" 15 mm	9/16" 14 mm	<b>1/2"</b> 13 mm	15/32" 12 mm
Inside Cabinet Width Deduction	<b>3/8"</b> 10 mm	15/32" 12 mm	9/16" 14 mm	<b>5/8"</b> 16 mm	23/32" 18 mm



# Undermount Release Clips 500 Series



## Best-in-Class Undermount Clips

### 500 Series & 300 Series

- Easier installation and superior adjustability
- Tactile wheels for intuitive adjustment
- Improved clip and slide engagement

#### 500 Series 6-Way Heavy-Duty Adjustable Clip with Zinc Base



- **Vertical adjustment: Up to 3 mm (1/8")**
- **Horizontal adjustment: +/- 2 mm (5/64")**
- **Depth adjustment: Up to 3 mm (1/8")**
- **Works for inset applications**
- **Heavy-duty die cast zinc base**



9,101,213; 9,386,849;  
9,408,463; 9,782,001; 9,986,829

Description	Part Number	Ctn Qty
6-way adjustable clip with zinc base	USCLIP500-2-6WZ	200/ctn Packaged by pair (L/R)

#### 500 Series 4-Way Heavy-Duty Adjustable Clip with Zinc Base



- **Vertical adjustment: Up to 3 mm (1/8")**
- **Horizontal adjustment: +/- 2 mm (5/64")**
- **Heavy-duty die cast zinc base**



9,986,829

Description	Part Number	Ctn Qty
4-way adjustable clip with zinc base	USCLIP500-2-4WZ	200/ctn Packaged by pair (L/R)

#### 500 Series 4-Way Standard-Duty Adjustable Clip



- **Vertical adjustment: Up to 3 mm (1/8")**
- **Horizontal adjustment: +/- 2 mm (5/64")**



9,386,849; 9,408,463; 9,782,001

Description	Part Number	Ctn Qty
4-way adjustable clip	USCLIP500-2-4W	200/ctn Packaged by pair (L/R)

#### DRAWER BOX MINIMUM WIDTH (VARIES BY CLIP)

	USCLIP500-2-6WZ	USCLIP500-2-4WZ	USCLIP500-2-4W	USE58-CLIP-4W
5/8" (16 mm) material	8.25"	8.25"	8.25"	9.25"
1/2" (13 mm) material	8"	8"	8"	9"

#6 x 5/8" pan head screw recommended for installation



# Undermount Release Clips 300 Series

Undermount  
Slide Clips

## 6-Way Heavy-Duty Adjustable Clip with Zinc Base



Pictured:  
USCLIP2ND-6WZ

- **Vertical adjustment: Up to 3 mm (1/8")**
- **Horizontal adjustment: +/- 2 mm (5/64")**
- **Depth adjustment: Up to 2.5 mm (3/32")**
- **Works for inset applications**
- **Heavy-duty die cast zinc base**



9,101,213; 9,386,849; 9,408,463; 9,782,001

Description	Part Number	Ctn Qty
6-way adjustable clip with zinc base	USCLIP2ND-6WZ	200/ctn Packaged by pair (L/R)

## 4-Way Heavy-Duty Adjustable Clip with Zinc Base



Pictured:  
USCLIP2ND-4WZ

- **Vertical adjustment: Up to 3 mm (1/8")**
- **Horizontal adjustment: +/- 2 mm (5/64")**
- **Heavy-duty die cast zinc base**



9,101,213; 9,408,463; 9,782,001

Description	Part Number	Ctn Qty
4-way adjustable clip with zinc base	USCLIP2ND-4WZ	200/ctn Packaged by pair (L/R)

## 4-Way Standard-Duty Adjustable Clip



Pictured:  
USCLIP2ND-4W

- **Vertical adjustment: Up to 3 mm (1/8")**
- **Horizontal adjustment: +/- 2 mm (5/64")**



9,101,213

Description	Part Number	Ctn Qty
4-way adjustable clip	USCLIP2ND-4W	200/ctn Packaged by pair (L/R)

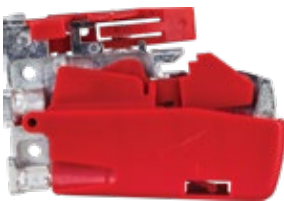
## 2-Way Adjustable Narrow Clip



- **Vertical adjustment: Up to 3 mm (1/8")**
- **Minimum drawer box width for 1/2" material = 4-1/2"**
- **Minimum drawer box width for 5/8" material = 4-7/8"**

Description	Part Number	Ctn Qty
2-way adjustable clip	US-CLIP-NR	100/ctn Packaged by pair (L/R)

## 2-Way Adjustable Clip



- **Vertical adjustment: Up to 3 mm (1/8")**
- **Die cast zinc base**

Description	Part Number	Ctn Qty
2-way adjustable clip	US-CLIP-2W	200/ctn Packaged by pair (L/R)

### DRAWER BOX MINIMUM WIDTH (VARIES BY CLIP)

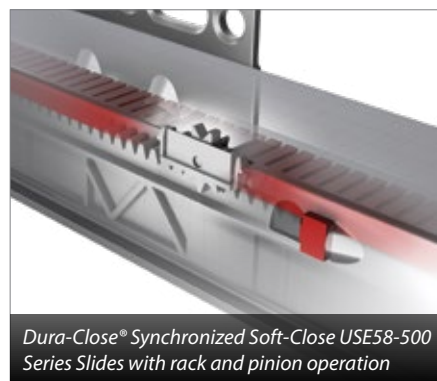
	US-CLIP2ND-6WZ	US-CLIP2ND-4WZ	US-CLIP2ND-4W	US-CLIP-2W	US-CLIP-NR
5/8" (16 mm) material	7.25"	7.25"	7.25"	6.25"	4.875"
1/2" (13 mm) material	7"	7"	7"	6"	4.5"

#6 x 5/8" pan head screw recommended for installation

# Dura-Close® Metal Drawer Box System

## MDB500-089 and MDB500-185 Series

This system's slides feature our rack and pinion system to reduce racking for heavy or wide drawers.



- Thin double-wall metal drawer box system built onto full extension, Dura-Close® synchronized soft-close 100 lb. capacity undermount slides
- Solid steel construction with grey powder coat finish
- Available in 89 mm and 185 mm heights
- Reduces racking for heavy or wide drawers
- Front cams for vertical and horizontal drawer front adjustment
- For frameless or face frame cabinetry (rear mounting brackets available separately)
- Front release cam for easy drawer front removal

### Ordering

<b>MDB500-089-15GR</b> 3 pr/ctn	89 mm height 381 mm length
<b>MDB500-089-18GR</b> 3 pr/ctn	89 mm height 457 mm length
<b>MDB500-089-21GR</b> 3 pr/ctn	89 mm height 533 mm length
<b>MDB500-185-15GR</b> 3 pr/ctn	185 mm height 381 mm length
<b>MDB500-185-18GR</b> 3 pr/ctn	185 mm height 457 mm length
<b>MDB500-185-21GR</b> 3 pr/ctn	185 mm height 533 mm length

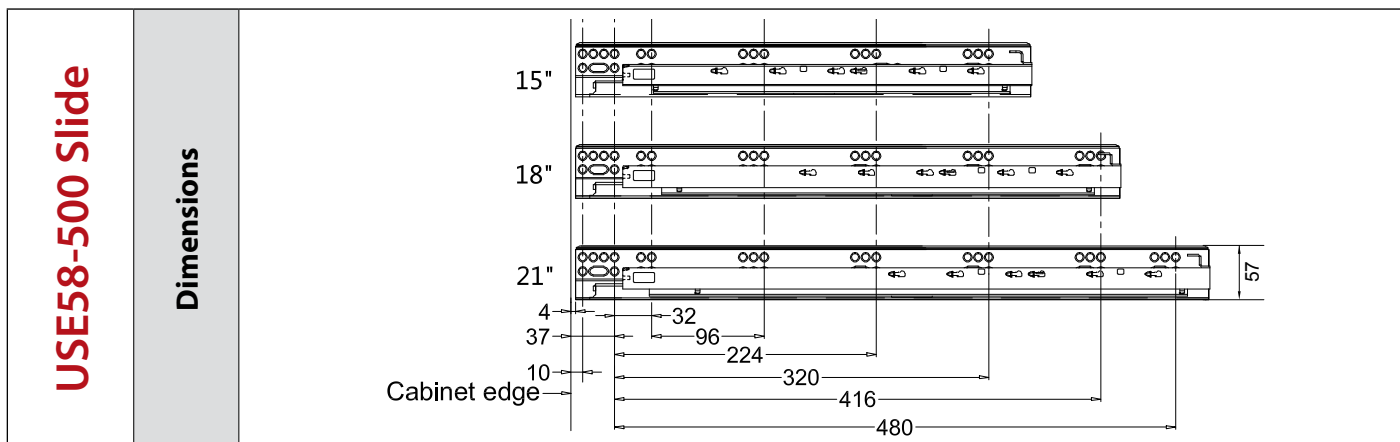
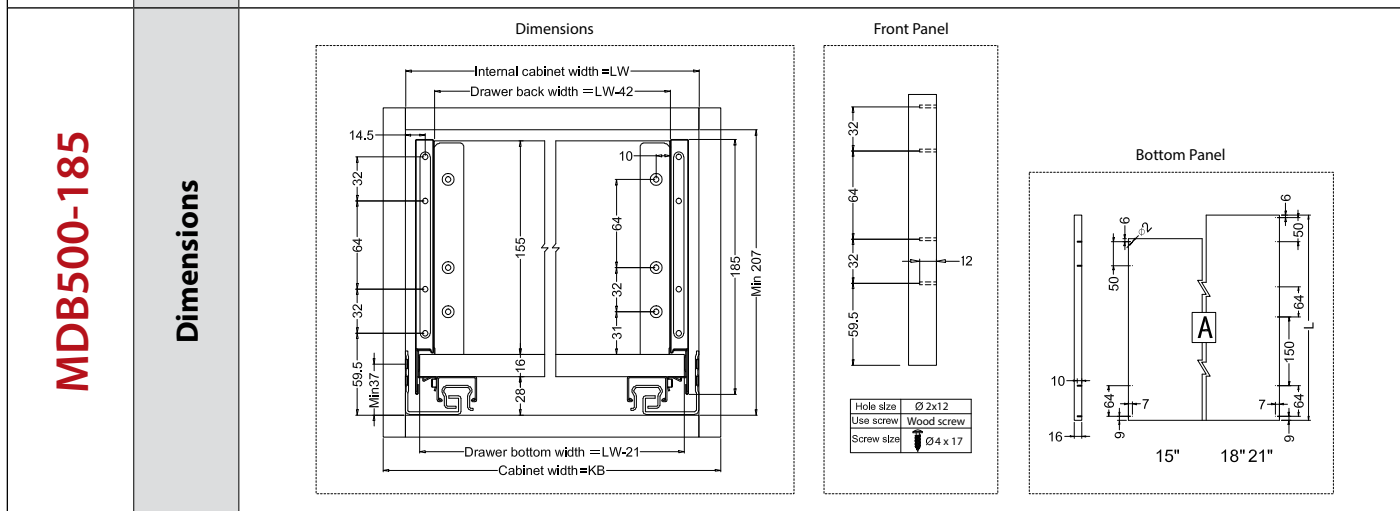
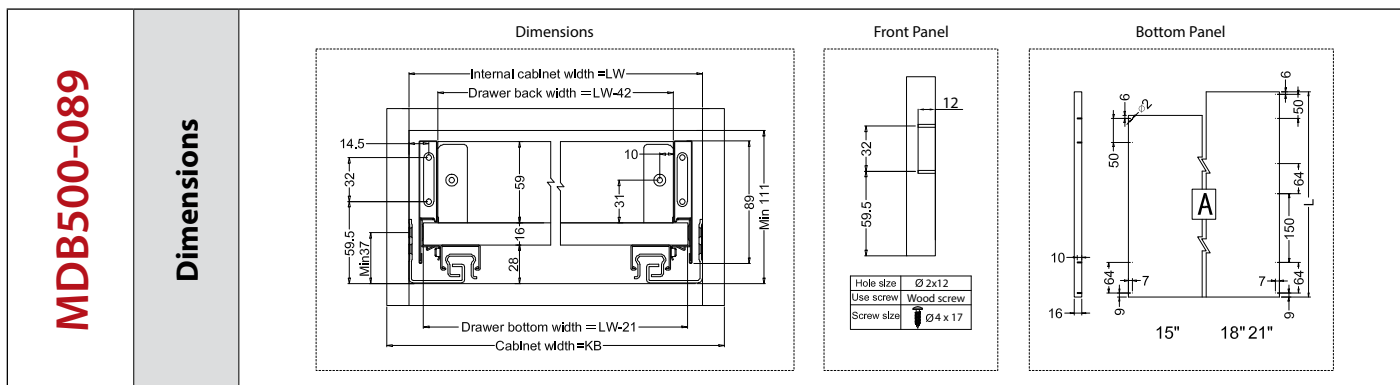


# Dura-Close® Metal Drawer Box System

## MDB500-089 and MDB500-185 Series

Metal Drawer Boxes

Part Dimensions				
Part #	Part #	Nominal length	Internal drawer length	Min. installation length of drawer
MDB500-089-15GR	MDB500-185-15GR	381 mm	364 mm	399 mm
MDB500-089-18GR	MDB500-185-18GR	457 mm	440 mm	475 mm
MDB500-089-21GR	MDB500-185-21GR	533 mm	516 mm	551 mm



# Heavy-Duty Metal Drawer Box System

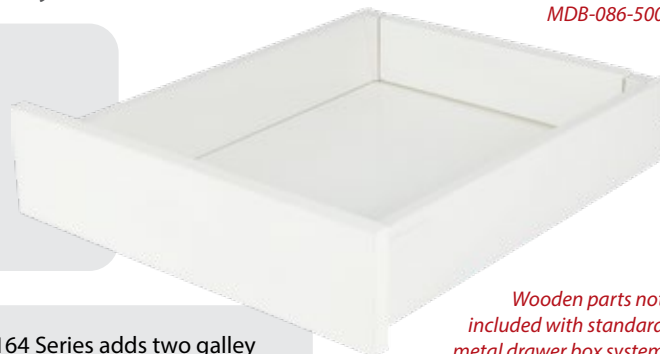
## MDB-086 and MDB-164 Series

Sleek metal drawer box system for higher-end commercial and residential applications. The high-gloss white finish looks great in any cabinet.

*Shown assembled as  
MDB-086-500*

### Features

- Front cams provide vertical and horizontal drawer front adjustment
- Grade 1 ANSI/BHMA certified to 50,000 cycles
- 100 lb. weight rating
- Release cam for easy drawer front removal



*Wooden parts not included with standard metal drawer box system*

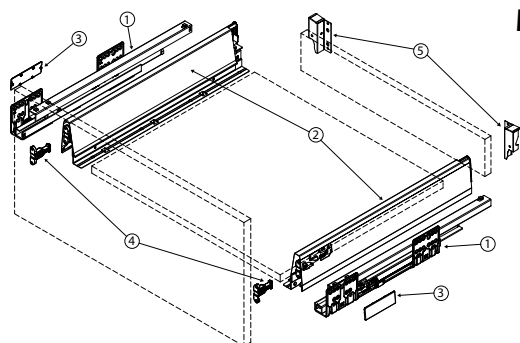
### Specs

- Full extension
- Recommended 5/8" material for drawer bottom and back
- 10 mm dowels for drawer front installation
- White powder coat finish
- MDB-164 Series adds two galley rails and a taller rear bracket for deeper drawer applications
- Available in metric lengths
- Frameless applications only

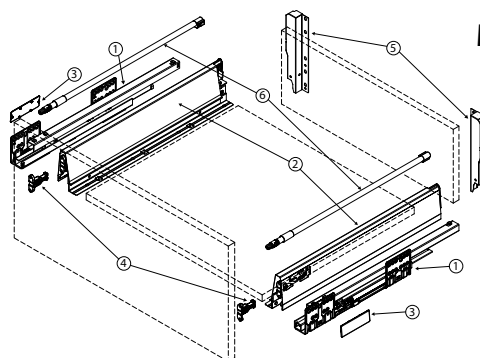
*Includes a pair of Synchronized Slides and metal drawer sides as pictured. These slides reduce racking for heavy or wide drawers.*

## Ordering

<b>MDB-086-400</b> 4 pr/ctn	86 mm height 400 mm length	<p><i>Includes drawer box sides, plastic caps, rear drawer box brackets, and undermount slides as pictured</i></p>
<b>MDB-086-450</b> 4 pr/ctn	86 mm height 450 mm length	
<b>MDB-086-500</b> 4 pr/ctn	86 mm height 500 mm length	
<b>MDB-086-550</b> 4 pr/ctn	86 mm height 550 mm length	
<b>MDB-164-400</b> 4 pr/ctn	164 mm height 400 mm length	<p><i>Includes drawer box sides, drawer box rails, rear drawer box brackets, and undermount slides as pictured</i></p>
<b>MDB-164-450</b> 4 pr/ctn	164 mm height 450 mm length	
<b>MDB-164-500</b> 4 pr/ctn	164 mm height 500 mm length	
<b>MDB-164-550</b> 4 pr/ctn	164 mm height 550 mm length	



**MDB-086**



**MDB-164**

1	Cabinet profiles: (L/R)	2X	4	Front fixing bracket	2X
2	Drawer profiles: (L/R)	2X	5	Rear connecting bracket (L/R)	2X
3	Side cover plate	2X	6	Gallery Rail (MDB-164-xxx only)	2X

# Heavy-Duty Metal Drawer Box System

## MDB-086 and MDB-164 Series

**Metal Drawer Boxes**

Part Dimensions				
Part #	Part #	Nominal length	Internal drawer length	Min. installation length of drawer
MDB-086-400	MDB-164-400	400 mm	374 mm	410 mm
MDB-086-450	MDB-164-450	450 mm	424 mm	460 mm
MDB-086-500	MDB-164-500	500 mm	474 mm	510 mm
MDB-086-550	MDB-164-550	550 mm	524 mm	560 mm

<b>MDB-086</b>	<b>Dimensions</b>	<p>Dimensions of cabinet</p>	<p>Front fixing bracket</p>	<p>Drilling hole on drawer front</p>	<p>Drawer back</p>
	<b>Slide Dimensions</b>	<p>Nominal: 400/450/500/550 mm</p>			
<b>MDB-164</b>	<b>Dimensions</b>	<p>Dimensions of cabinet</p>	<p>Front fixing bracket</p>	<p>Drilling hole on drawer front</p>	<p>Drawer back</p>
	<b>Slide Dimensions</b>	<p>Nominal: 400/450/500/550 mm</p>			



# Undermount Shelf Bracket

Easily create rollout shelves with undermount slides and this shelf bracket. Attach rear mounting block to the back of the shelf instead of notching and boring.



**Undermount Shelf Bracket**

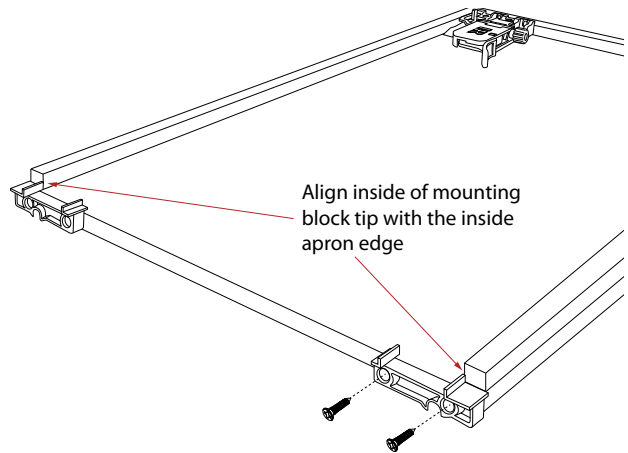
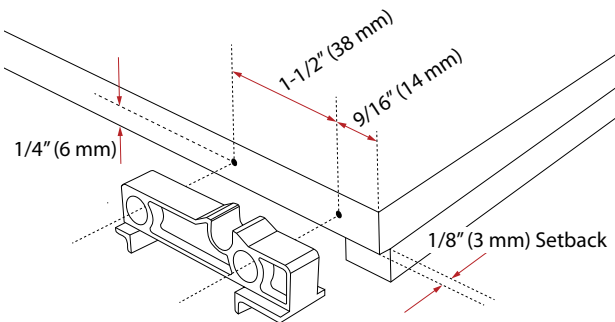
Black

USE-RMB

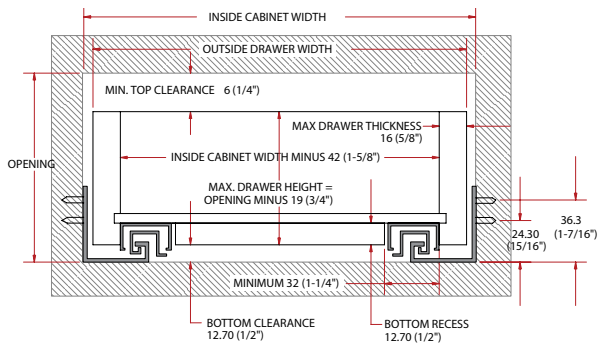
250 pcs/ctn

- » For use with USE58-300 undermount slides
- » Maximum apron thickness 16 mm (5/8") for USE58 series slides
- » Maximum apron thickness 19 mm (3/4") for USE34 series slides
- » One pair of drawer clips is required per shelf
- » Installation screws are provided

## MOUNTING SPECIFICATIONS



## FRONT VIEW OF THE SHELF INSIDE THE CABINET



## OUTSIDE SHELF WIDTH CALCULATIONS

Drawer Side Thickness	Inside Cabinet Width Deduction
<b>5/8"</b>	<b>3/8"</b>
<b>16 mm</b>	<b>10 mm</b>
19/32"	15/32"
15 mm	12 mm
9/16"	9/16"
14 mm	14 mm
<b>1/2"</b>	<b>5/8"</b>
<b>13 mm</b>	<b>16 mm</b>
15/32"	23/32"
12 mm	18 mm

**NOTE:** Shelf length = length of slide minus 3/8" (10 mm)



# Video Resources for Undermount Slides

The below videos are a collection of useful resources for Hardware Resources undermount slides and related products.

Use the QR codes or short links below to view each video.



**Undermount Release  
Clips for 300 Series**  
delivr.com/2cm9



**USE58-500 Synchronized  
Undermount Slides**  
delivr.com/2m55n



**How to Use Your Multi Tool**  
delivr.com/2pww8



**How to Use Your Rear  
Bracket Installation Tool**  
delivr.com/2yhj3



**Correct Screw Selection  
for Slides**  
delivr.com/2bsd5



**How to Install Your  
Metal Drawer Box**  
delivr.com/2ncvz

View additional resources at [www.HardwareResources.com/Functional-Hardware](http://www.HardwareResources.com/Functional-Hardware)

# Ball Bearing Slides

Hardware Resources is proud to offer a wide selection of ball bearing slides to meet the needs of almost any customer. From extra heavy-duty 225 lb. slides to standard-duty 100 lb. slides, soft-close to push-to-open, we have the slides to fit your cabinetry needs.

- **209FU Series:** 1" Overtravel Commercial-Grade Heavy-Duty Slides
- **300FU Series:** Extra Heavy-Duty Slides
- **303-200 Series:** Push-to-Open Slides
- **303-300 Series:** EZ Open Heavy-Duty Soft-Close Slides
- **303FUSFT Series:** Heavy-Duty Soft-Close Slides
- **303FU Series:** Heavy-Duty Slides
- **303-50 Series:** 100 lb. Standard-Duty Slides



**Commercial-Grade Heavy-Duty Slides:  
209FU Series - 1" Overtravel**

[ 40 ]



**Extra Heavy-Duty Slides:  
300FU Series**

[ 42 ]



**Push-to-Open Slides:  
303-200 Series**

[ 44 ]



**EZ Open Heavy-Duty Soft-Close Slides:  
303-300 Series**

[ 46 ]



**Heavy-Duty Soft-Close Slides:  
303FUSFT Series**

[ 48 ]



**Heavy-Duty Slides:  
303FU Series**

[ 50 ]



**100 lb. Standard-Duty Slides:  
303-50 Series**

[ 52 ]



# HR Series Comparison

## Ball Bearing Slides



Series	209FU	300FU
Grade 1 ANSI/BHMA Certified	225 lb.	200 lb.
Commercial	✓	✓
Push-To-Open		
Soft-Close		
<b>Cage Hold Forward:</b> Holds ball-bearing cage at front of drawer for easy drawer installation		
<b>EZ Open:</b> Relaxed pull force for easy opening		
Side Spacing	3/4"	1/2"
Material Thickness (Cold-Rolled Steel)	2.2 x 2.0 x 2.0 mm	1.5 x 1.5 x 1.5 mm
Profile Height	54 mm	51 mm
Face Frame or Frameless Cabinet Compatibility	Frameless Only	Frameless Only
Lengths	16"–30"	12"–28"



 Customer Favorite

303-200	303-300	303FUSFT	303FU	303-50
100 lb.	100 lb.	100 lb.	100 lb.	100 lb.
✓				
	✓	✓		
✓	✓	✓	✓	✓
	✓			
1/2"	1/2"	1/2"	1/2"	1/2"
1.0 x 1.0 x 1.2 mm	1.0 x 1.0 x 1.2 mm	1.0 x 1.0 x 1.2 mm	1.0 x 1.0 x 1.2 mm	0.9 x 0.9 x 1.2 mm
45 mm	45 mm	45 mm	45 mm	45 mm
Both	Both	Both	Both	Both
14"-22"	10"-28"	12"-28"	8"-28"	12"-24"



# Commercial-Grade Heavy-Duty Slides

## 209FU Series - 1" Overtravel

A 225 lb. heavy-duty commercial-grade slide designed specifically for use in frameless applications.



### Features

- 1" overtravel slide
- Grade 1 ANSI/BHMA certified
- 225 lb. weight rating
- Lubricated steel ball bearings
- Non-handed trigger disconnect release
- Synthetic rubber hold-in detent prevents bounce-back and roll out

### Specs

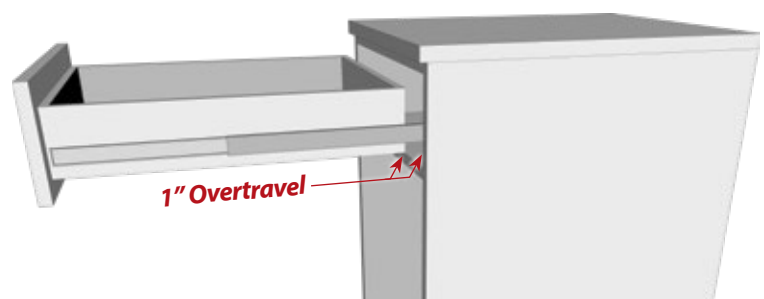
- 54 mm profile height
- 3/4" side spacing
- 2.2 mm x 2.0 mm x 2.0 mm cold-rolled steel material
- Clear zinc electroplated finish
- 6.3 mm Euro screw or #8 x 7/16" truss head screw is recommended

<b>Weight Rating</b>  225 lb	<b>Travel</b>  1" Over
<b>Profile</b>  54 mm	<b>Finish</b>  Zinc
<b>Side Spacing</b>  3/4"	<b>Lengths</b>  16"-30"
<b>Hole Pattern</b>  32 mm	<b>Material Dimensions</b>  2.2 mm x 2.0 mm x 2.0 mm
<b>Packaging</b>  6 pr/box	<b>Certification</b>  ANSI 50,000+

### Ordering

Description	Part Number
16" Zinc Slide	209FU16
18" Zinc Slide	209FU18
20" Zinc Slide	209FU20
22" Zinc Slide	209FU22
24" Zinc Slide	209FU24
26" Zinc Slide	209FU26
28" Zinc Slide	209FU28
30" Zinc Slide	209FU30

6 pr/ctn



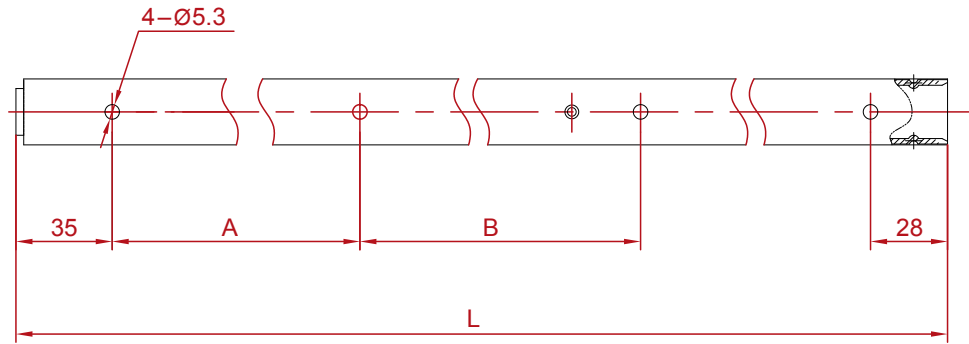
# Commercial-Grade Heavy-Duty Slides

## 209FU Series - 1" Overtravel

Ball Bearing Slides

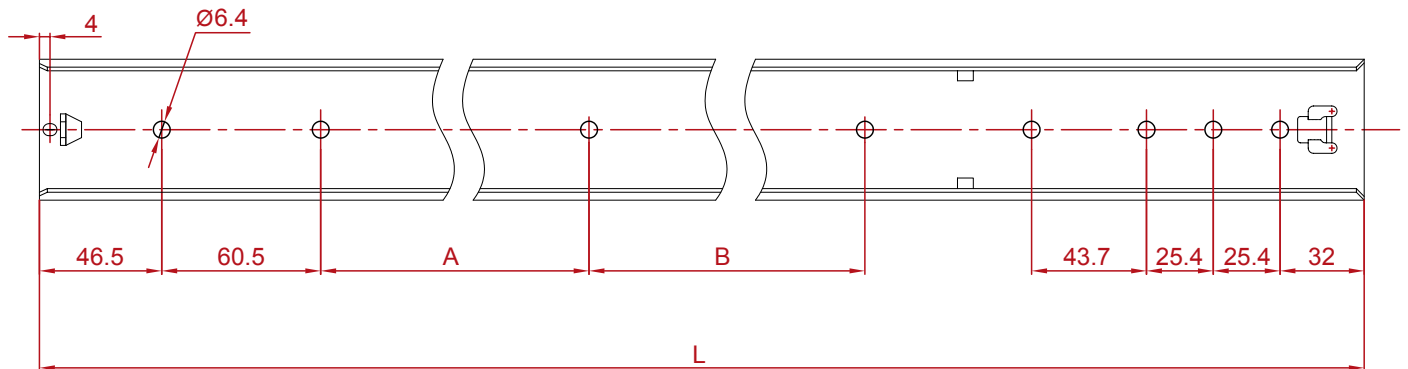
### Hole Pattern and Length Specifications

#### DRAWER MEMBER



Specifications	L	A	B
209FU16 - 16"	404	96	128
209FU18 - 18"	455	96	224
209FU20 - 20"	506	96	224
209FU22 - 22"	557	96	288
209FU24 - 24"	608	160	292
209FU26 - 26"	659	160	292
209FU28 - 28"	710	160	356
209FU30 - 30"	761	160	356

#### CABINET MEMBER



Specifications	L	A	B
209FU16 - 16"	406	-	-
209FU18 - 18"	457	128	-
209FU20 - 20"	508	128	-
209FU22 - 22"	559	128	96
209FU24 - 24"	610	160	128
209FU26 - 26"	661	160	128
209FU28 - 28"	712	160	160
209FU30 - 30"	763	160	160

# Extra Heavy-Duty Slides

## 300FU Series

A 200 lb. extra heavy-duty slide with 1/2" side clearance for use with standard drawer box sizes. Perfect for file drawers, wide drawers, drawers under ovens, or any drawer where weight is a concern.



### Features

- Full extension slide
- Grade 1 ANSI/BHMA certified
- 200 lb. weight rating
- Lubricated steel ball bearings
- Non-handed trigger disconnect release
- Synthetic rubber hold-in detent prevents bounce-back and roll-out

### Specs

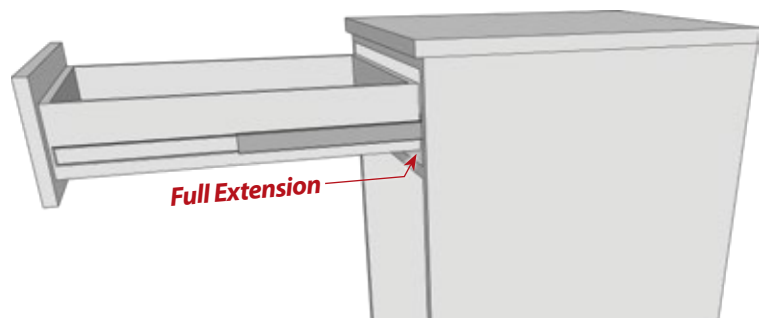
- 2" profile height
- 1/2" side spacing
- 1.5 mm x 1.5 mm x 1.5 mm cold-rolled steel material
- Clear zinc electroplated finish
- 6.3 mm Euro screw or #8 x 7/16" truss head screw is recommended

### Ordering

Description	Part Number
12" Zinc Slide	300FU12
14" Zinc Slide	300FU14
16" Zinc Slide	300FU16
18" Zinc Slide	300FU18
20" Zinc Slide	300FU20
22" Zinc Slide	300FU22
24" Zinc Slide	300FU24
26" Zinc Slide	300FU26
28" Zinc Slide	300FU28

10 pr/ctn

<p><b>Weight Rating</b></p>	<p><b>Travel</b></p>
<p><b>Profile</b></p>	<p><b>Finish</b></p>
<p><b>Side Spacing</b></p>	<p><b>Lengths</b></p>
<p><b>Hole Pattern</b></p>	<p><b>Material Dimensions</b></p>
<p><b>Packaging</b></p>	<p><b>Certification</b></p>

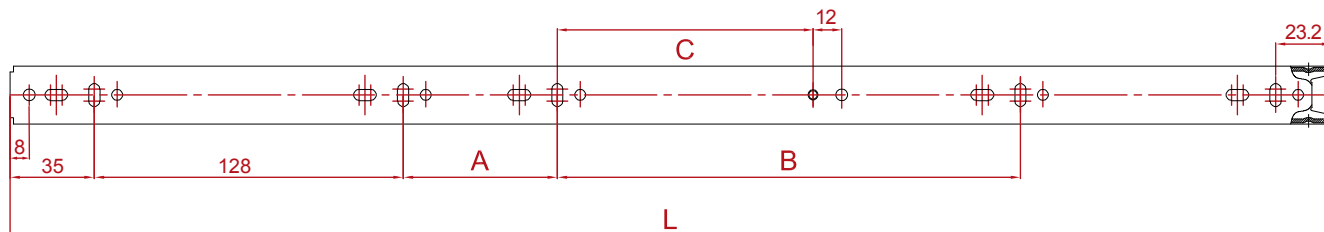


# Extra Heavy-Duty Slides 300FU Series

Ball Bearing  
Slides

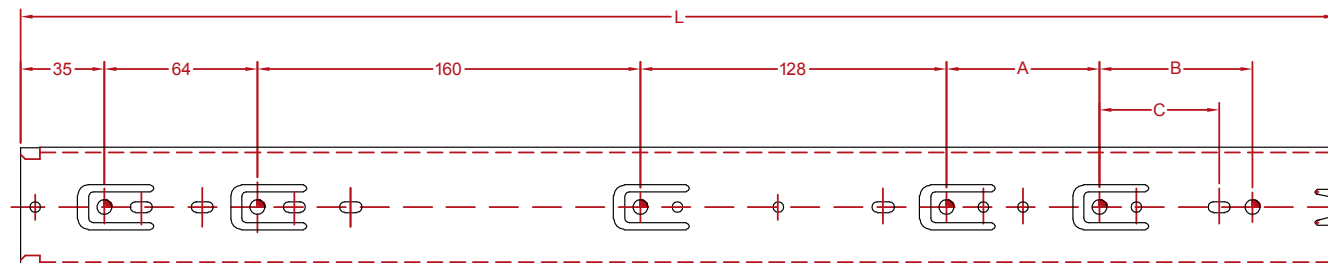
## Hole Pattern and Length Specifications

### DRAWER MEMBER



Specifications	L	A	B	C
300FU12 - 12"	298	-	-	60
300FU14 - 14"	348	-	-	98
300FU16 - 16"	398	-	-	124
300FU18 - 18"	448	192	-	146
300FU20 - 20"	498	64	160	106
300FU22 - 22"	548	64	192	106
300FU24 - 24"	598	64	224	156
300FU26 - 26"	648	64	256	168
300FU28 - 28"	698	64	288	193

### CABINET MEMBER



Specifications	L	A	B	C	D
300FU12 - 12"	300	136	-	-	-
300FU14 - 14"	350	160	-	-	-
300FU16 - 16"	400	160	64	-	-
300FU18 - 18"	450	160	128	-	-
300FU20 - 20"	500	160	128	-	64
300FU22 - 22"	550	160	128	-	64
300FU24 - 24"	600	160	128	64	64
300FU26 - 26"	650	160	128	96	64
300FU28 - 28"	700	160	128	96	128

# Push-to-Open Slides

## 303-200 Series

A heavy-duty 100 lb. push-to-open ball bearing slide designed for use in either frameless or face frame applications. Great for a clean, modern look or a limited space that does not have room for decorative hardware.



### Features

- Full extension slide
- Grade 1 ANSI/BHMA certified
- 100 lb. weight rating
- Lubricated steel ball bearings with cage hold forward—retains cage during drawer member installation
- Non-handed trigger disconnect release

### Specs

- 45 mm profile height
- 1/2" side spacing
- 1.0 mm x 1.0 mm x 1.2 mm cold-rolled steel material
- Clear zinc electroplated finish
- 6.3 mm Euro screw or #8 x 7/16" truss head screw is recommended

Cage Hold Forward allows for easy drawer reinstallation and reduces callbacks.



Scan for a video about this feature




### Ordering


Description	Part Number
14" Zinc Slide	303-200-14
16" Zinc Slide	303-200-16
18" Zinc Slide	303-200-18
20" Zinc Slide	303-200-20
22" Zinc Slide	303-200-22


15 pr/ctn











Rear Mounting Bracket	
303FUSFT2 100 pr/ctn	

Self-Adjusting Plastic Rear Bracket	
303FUSFT3 100 pr/ctn	

Rear Mounting Bracket with 10 mm Dowels	
303FUSFT6 100 pr/ctn	

Face Frame Front Mounting Bracket	
303FU4 100 pr/ctn	

Self-Adjusting Plastic Rear Bracket with 8 mm Dowels	
303FUSFT7-L 303FUSFT7-R 50 each/ctn	

<b>Weight Rating</b>  100 lb	<b>Travel</b>  Full
<b>Profile</b>  45 mm	<b>Finish</b>  Zinc
<b>Side Spacing</b>  1/2"	<b>Lengths</b>  14"-22"
<b>Hole Pattern</b>  32 mm	<b>Material Dimensions</b>  1.0 mm x 1.0 mm x 1.2 mm
<b>Packaging</b>  15 pr/box	<b>Certification</b>  ANSI 50,000+

*For inset application, no special installation required*

*For overlay application, allow 1/8" clearance for push-to-open mechanism*

*Opens drawer approximately 2" from closed position*

*Great for clean-line drawers without hardware and for commercial cabinetry*

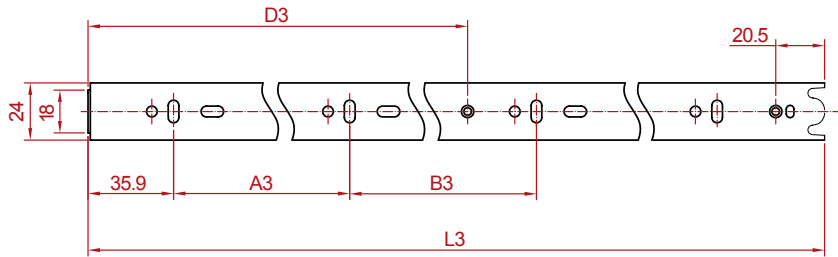


# Push-to-Open Slides 303-200 Series

Ball Bearing  
Slides

## Hole Pattern and Length Specifications

### DRAWER MEMBER

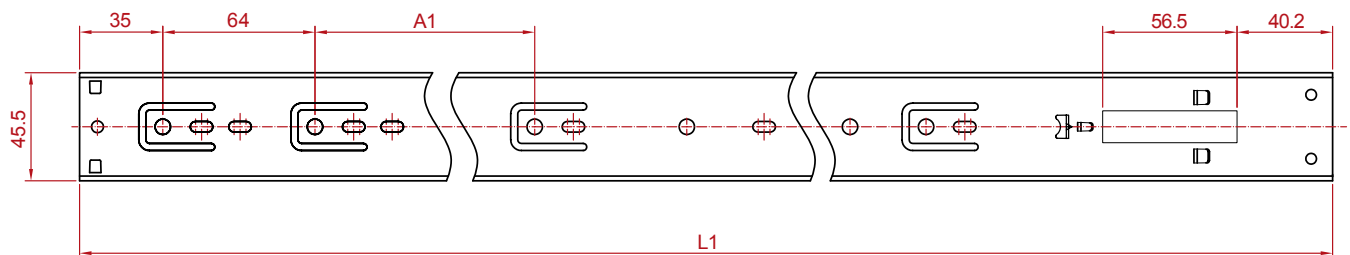


Specifications	L3	A3	B3	D3
303-200-14 - 14"	338	128	128	255
303-200-16 - 16"	388	128	192	290
303-200-18 - 18"	438	160	192	320
303-200-20 - 20"	488	192	224	340
303-200-22 - 22"	538	224	224	365

### Installation Covers

		Protect slides from paint, stain, and dust during installation
303COVER-C	Installation cover cabinet member	High-strength plastic allows for multiple uses Installs on jobsite to protect slides from dust, paint, stain and damage Sold in 92" sticks—cut to fit any slide length Easily snaps on and off
303COVER-D	Installation cover drawer member	

### CABINET MEMBER



Specifications	L1	A1
303-200-14 - 14"	350	96
303-200-16 - 16"	400	128
303-200-18 - 18"	450	160
303-200-20 - 20"	500	256
303-200-22 - 22"	550	288

### Slide Mounting Kit

	SLIDE-KIT 50 pks/ctn
Includes 4 L-brackets & attachment screws Perfect for rollout drawers—mount slides directly to cabinet floor or fixed shelf Threaded collars mean secure slide attachment using only a screwdriver and included screws	



## 303-300 Series

A Dura-Close® easy-open heavy-duty soft-close slide designed to provide the most relaxed pull force of all Hardware Resources' ball bearing slides in either face frame or frameless applications. It features full extension in 12" length and above.



**PATENT**  
9,648,952

### Features

- 30% reduction in pull force compared to our 303FUSFT Series
- Full extension slide
- Grade 1 ANSI/BHMA certified
- 100 lb. weight rating
- Lubricated steel ball bearings with cage hold forward—retains cage during drawer member installation
- Non-handed trigger disconnect release

Cage Hold Forward allows for easy drawer reinstallation and reduces callbacks.



Scan for a video about this feature



### Specs

- 45 mm profile height
- 1/2" side spacing
- 1.0 mm x 1.0 mm x 1.2 mm cold-rolled steel material
- Clear zinc electroplated finish
- 6.3 mm Euro screw or #8 x 7/16" truss head screw is recommended

Weight Rating



Travel



Profile



Finish



Side Spacing



Lengths



Hole Pattern



Material Dimensions



Packaging



Certification



### Ordering

Description	Part Number
10" Zinc Slide	303-300-10 <i>3/4 extension</i>
12" Zinc Slide	303-300-12
14" Zinc Slide	303-300-14
16" Zinc Slide	303-300-16
18" Zinc Slide	303-300-18
20" Zinc Slide	303-300-20
22" Zinc Slide	303-300-22
24" Zinc Slide	303-300-24
26" Zinc Slide	303-300-26
28" Zinc Slide	303-300-28

Rear Mounting Bracket	
303FUSFT2 100 pr/ctn	

Self-Adjusting Plastic Rear Bracket	
303FUSFT3 100 pr/ctn	

Rear Mounting Bracket with 10 mm Dowels	
303FUSFT6 100 pr/ctn	

Self-Adjusting Plastic Rear Bracket with 8 mm Dowels	
303FUSFT7-L 303FUSFT7-R 50 each/ctn	

Face Frame Front Mounting Bracket	
303FU4 100 pr/ctn	

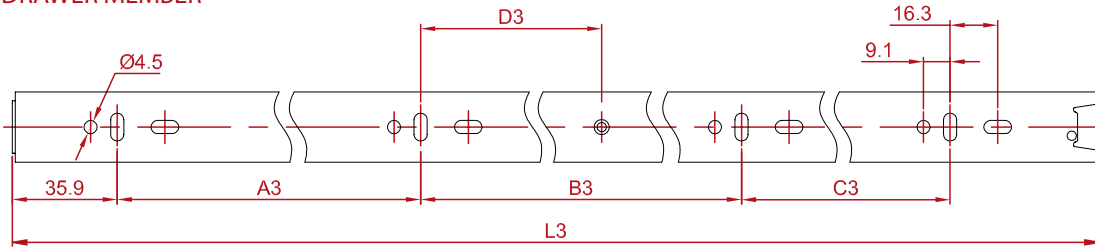
# EZ Open Heavy-Duty Soft-Close Slides

## 303-300 Series

Ball Bearing Slides

### Hole Pattern and Length Specifications

#### DRAWER MEMBER

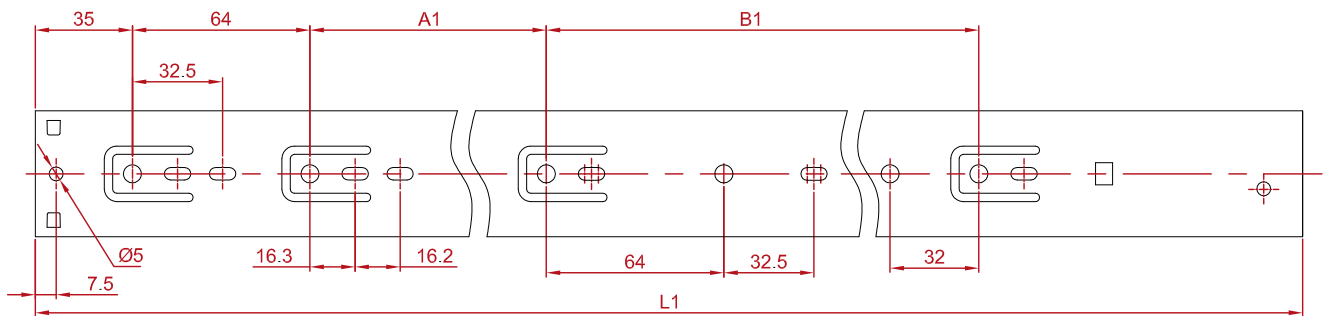


Specifications	L3	A3	B3	C3	D3
303-300-10 - 10"	245	160	-	-	-
303-300-12 - 12"	295	96	128	-	88
303-300-14 - 14"	345	128	128	-	75
303-300-16 - 16"	395	128	192	-	106
303-300-18 - 18"	445	160	192	-	94
303-300-20 - 20"	495	192	224	-	87
303-300-22 - 22"	545	224	224	-	85
303-300-24 - 24"	595	192	320	-	142
303-300-26 - 26"	645	192	224	160	167
303-300-28 - 28"	695	192	256	160	227

#### Installation Covers

		Protect slides from paint, stain, and dust during installation
303COVER-C	Installation cover cabinet member	High-strength plastic allows for multiple uses Installs on jobsite to protect slides from dust, paint, stain and damage Sold in 92" sticks—cut to fit any slide length Easily snaps on and off
303COVER-D	Installation cover drawer member	

#### CABINET MEMBER



Specifications	L1	A1	B1
303-300-10 - 10"	250	-	-
303-300-12 - 12"	300	94	-
303-300-14 - 14"	350	128	-
303-300-16 - 16"	400	160	-
303-300-18 - 18"	450	224	-
303-300-20 - 20"	500	256	-
303-300-22 - 22"	550	288	-
303-300-24 - 24"	600	352	-
303-300-26 - 26"	650	206	224
303-300-28 - 28"	700	256	224

#### Slide Mounting Kit

	SLIDE-KIT 50 pks/ctn
Includes 4 L-brackets & attachment screws Perfect for rollout drawers—mount slides directly to cabinet floor or fixed shelf Threaded collars mean secure slide attachment using only a screwdriver and included screws	

# Heavy-Duty Soft-Close Slides

## 303FUSFT Series

The 303FUSFT Series is great for almost any application due to its heavy-duty, robust construction and soft-close action.



### Features

- Full extension slide
- Grade 1 ANSI/BHMA certified
- 100 lb. weight rating
- Lubricated steel ball bearings with cage hold forward—retains cage during drawer member installation
- Non-handed trigger disconnect release

Cage Hold Forward allows for easy drawer reinstallation and reduces callbacks.



Scan for a video about this feature



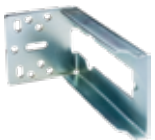
### Specs


- 45 mm profile height
- 1/2" side spacing
- 1.0 mm x 1.0 mm x 1.2 mm cold-rolled steel material
- Clear zinc electroplated finish
- 6.3 mm Euro screw or #8 x 7/16" truss head screw is recommended


### Ordering


Description	Part Number
12" Zinc Slide	303FUSFT12
14" Zinc Slide	303FUSFT14
16" Zinc Slide	303FUSFT16
18" Zinc Slide	303FUSFT18
20" Zinc Slide	303FUSFT20
22" Zinc Slide	303FUSFT22
24" Zinc Slide	303FUSFT24
26" Zinc Slide	303FUSFT26
28" Zinc Slide	303FUSFT28


15 pr/ctn








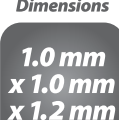


Rear Mounting Bracket	
303FUSFT2 100 pr/ctn	

Self-Adjusting Plastic Rear Bracket	
303FUSFT3 100 pr/ctn	

Rear Mounting Bracket with 10 mm Dowels	
303FUSFT6 100 pr/ctn	

Face Frame Front Mounting Bracket	
303FU4 100 pr/ctn	

Self-Adjusting Plastic Rear Bracket with 8 mm Dowels	
303FUSFT7-L 303FUSFT7-R 50 each/ctn	

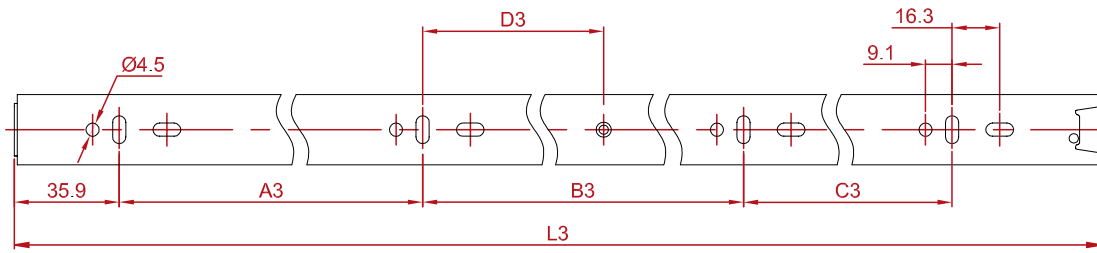
<b>Weight Rating</b>  100 lb	<b>Travel</b>  Full
<b>Profile</b>  45 mm	<b>Finish</b>  Zinc
<b>Side Spacing</b>  1/2"	<b>Lengths</b>  12"–28"
<b>Hole Pattern</b>  32 mm	<b>Material Dimensions</b>  1.0 mm x 1.0 mm x 1.2 mm
<b>Packaging</b>  15 pr/box	<b>Certification</b>  ANSI 50,000+

# Heavy-Duty Soft-Close Slides 303FUSFT Series

Ball Bearing  
Slides

## Hole Pattern and Length Specifications

### DRAWER MEMBER

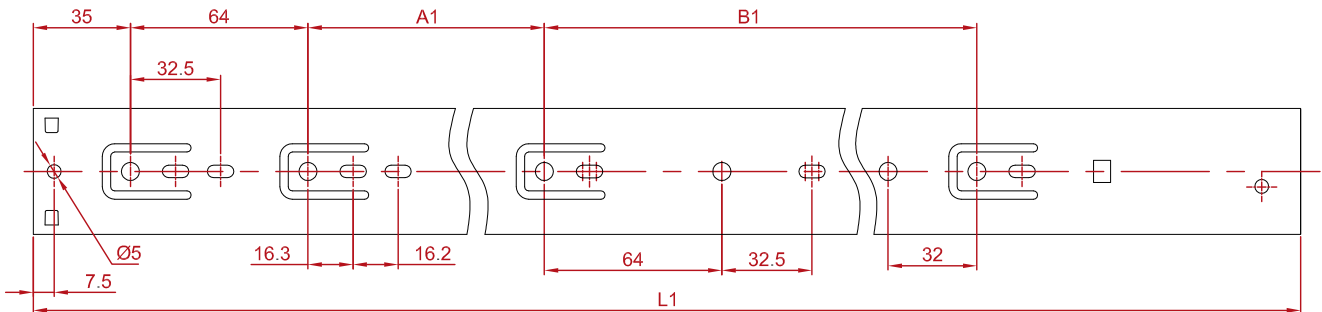


Specifications	L3	A3	B3	C3	D3
303FUSFT12 - 12"	295	96	128	-	88
303FUSFT14 - 14"	345	128	128	-	75
303FUSFT16 - 16"	395	128	192	-	106
303FUSFT18 - 18"	445	160	192	-	94
303FUSFT20 - 20"	495	192	224	-	87
303FUSFT22 - 22"	545	224	224	-	85
303FUSFT24 - 24"	595	192	320	-	142
303FUSFT26 - 26"	645	192	224	160	167
303FUSFT28 - 28"	695	192	256	160	227

### Installation Covers

		Protect slides from paint, stain, and dust during installation
303COVER-C	Installation cover cabinet member	High-strength plastic allows for multiple uses Installs on jobsite to protect slides from dust, paint, stain and damage Sold in 92" sticks—cut to fit any slide length Easily snaps on and off
303COVER-D	Installation cover drawer member	

### CABINET MEMBER



Specifications	L1	A1	B1
303FUSFT12 - 12"	300	94	-
303FUSFT14 - 14"	350	128	-
303FUSFT16 - 16"	400	160	-
303FUSFT18 - 18"	450	224	-
303FUSFT20 - 20"	500	256	-
303FUSFT22 - 22"	550	288	-
303FUSFT24 - 24"	600	352	-
303FUSFT26 - 26"	650	206	224
303FUSFT28 - 28"	700	256	224

### Slide Mounting Kit

	SLIDE-KIT 50 pks/ctn
Includes 4 L-brackets & attachment screws Perfect for rollout drawers—mount slides directly to cabinet floor or fixed shelf Threaded collars mean secure slide attachment using only a screwdriver and included screws	



# Heavy-Duty Slides

## 303FU Series

Hardware Resources' best-selling slide series has been the go-to 100 lb. ball bearing slide for cabinet makers for over a decade. This dependable, worry-free slide is a great solution to almost any application.



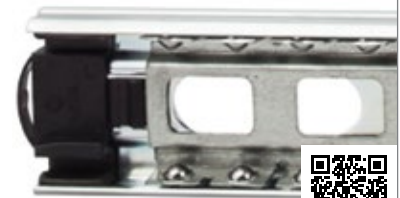
### Features

- Full extension slide
- Grade 1 ANSI/BHMA certified
- 100 lb. weight rating
- Lubricated steel ball bearings with cage hold forward—retains cage during drawer member installation
- Non-handed trigger disconnect release
- Synthetic rubber hold-in detent prevents bounce-back and roll out

### Specs

- 45 mm profile height
- 1/2" side spacing
- 1.0 mm x 1.0 mm x 1.2 mm cold-rolled steel material
- Clear zinc electroplated or black finish
- 6.3 mm Euro screw or #8 x 7/16" truss head screw is recommended

Cage Hold Forward allows for easy drawer reinstallation and reduces callbacks.



Scan for a video about this feature



Weight Rating



Travel



Profile



Finish



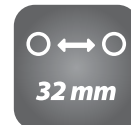
Side Spacing



Lengths



Hole Pattern



Material Dimensions



Packaging



Certification



### ASSEMBLED (sold per pair)

Length	Zinc
8" Slide	303FU8
10" Slide	303FU10
12" Slide	303FU12
14" Slide	303FU14
16" Slide	303FU16
18" Slide	303FU18
20" Slide	303FU20
22" Slide	303FU22
24" Slide	303FU24
26" Slide	303FU26
28" Slide	303FU28

### SPLIT SLIDES (sold as each)

Length	Zinc
14" Slide	cabinet 303-100-14C drawer 303-100-14D
16" Slide	cabinet 303-100-16C drawer 303-100-16D
18" Slide	cabinet 303-100-18C drawer 303-100-18D
20" Slide	cabinet 303-100-20C drawer 303-100-20D
22" Slide	cabinet 303-100-22C drawer 303-100-22D

30 cabinet/ctn  
60 drawer/ctn

Self-Adjusting Plastic Rear Bracket with 8 mm Dowels	
303FU7-L 303FU7-R 50 each/ctn	

Face Frame Front Mounting Bracket	
303FU4 100 pr/ctn	
Rear Mounting Bracket	
303FU2 100 pr/ctn	
Self-Adjusting Plastic Rear Bracket	
303FU3 100 pr/ctn	

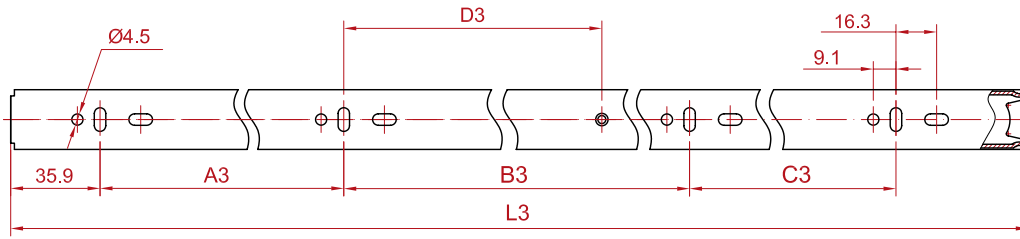
Rear Mounting Bracket with 8 mm Dowels	
303FU5 100 pr/ctn	
Rear Mounting Bracket with 10 mm Dowels	
303FU6 100 pr/ctn	

# Heavy-Duty Slides 303FU Series

Ball Bearing  
Slides

## Hole Pattern and Length Specifications

### DRAWER MEMBER

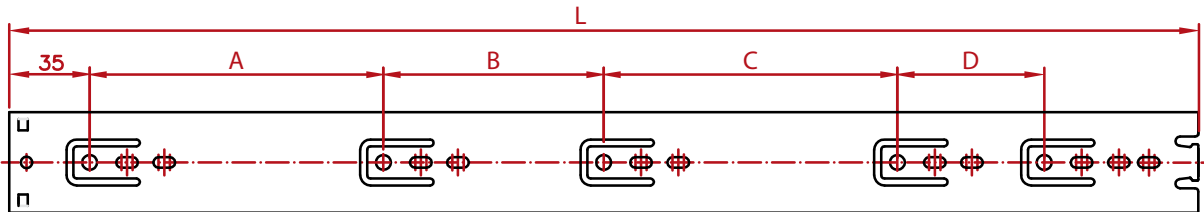


Specifications	L3	A3	B3	C3	D3
303FU8 - 8"	197	128	-	-	-
303FU10 - 10"	247	169	-	-	-
303FU12 - 12"	297	96	128	-	90
303FU14 - 14"	347	128	128	-	85
303FU16 - 16"	397	128	192	-	110.5
303FU18 - 18"	447	160	192	-	101
303FU20 - 20"	497	192	224	-	95
303FU22 - 22"	547	224	224	-	81
303FU24 - 24"	597	192	320	-	140
303FU26 - 26"	647	192	224	160	167
303FU28 - 28"	697	192	256	160	227

### Installation Covers

		Protect slides from paint, stain, and dust during installation
303COVER-C	Installation cover cabinet member	High-strength plastic allows for multiple uses Installs on jobsite to protect slides from dust, paint, stain and damage Sold in 92" sticks—cut to fit any slide length Easily snaps on and off
303COVER-D	Installation cover drawer member	

### CABINET MEMBER



Specifications	L	A	B	C	D
303FU8 - 8"	200	64	76	-	-
303FU10 - 10"	250	64	76	-	-
303FU12 - 12"	300	128	96	-	-
303FU14 - 14"	350	128	96	-	-
303FU16 - 16"	400	128	96	64	-
303FU18 - 18"	450	128	96	128	-
303FU20 - 20"	500	128	96	128	64
303FU22 - 22"	550	128	96	128	64
303FU24 - 24"	600	128	96	192	64
303FU26 - 26"	650	128	164	192	64
303FU28 - 28"	700	128	192	224	64

### Slide Mounting Kit

	SLIDE-KIT 50 pks/ctn
Includes 4 L-brackets & attachment screws Perfect for rollout drawers—mount slides directly to cabinet floor or fixed shelf Threaded collars mean secure slide attachment using only a screwdriver and included screws	

# 100 lb. Standard-Duty Slides

## 303-50 Series

Hardware Resources' 303-50 Series ball bearing slides respond to the demand for an economical 100 lb. ball bearing slide. These cost-saving slides provide quality performance, easy installation, and ANSI-certified worry-free operation.



### Features

- Full extension slide
- Grade 1 ANSI/BHMA certified
- 100 lb. weight rating
- Lubricated steel ball bearings with cage hold forward—retains cage during drawer member installation
- Non-handed trigger disconnect release
- Synthetic rubber hold-in detent prevents bounce-back and roll out

### Specs

- 45 mm profile height
- Clear zinc electroplated finish
- 1/2" side spacing
- 6.3 mm Euro screw or #8 x 7/16" truss head screw is recommended
- 0.9 mm x 0.9 mm x 1.2 mm cold-rolled steel material

Cage Hold Forward allows for easy drawer reinstallation and reduces callbacks.



Scan for a video about this feature



Weight Rating



Travel



Profile



Finish



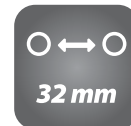
Side Spacing



Lengths



Hole Pattern



Material Dimensions



Packaging



Certification



### ASSEMBLED (sold per pair)

Length	Zinc
12" Slide	303-50-12
14" Slide	303-50-14
16" Slide	303-50-16
18" Slide	303-50-18
20" Slide	303-50-20
22" Slide	303-50-22
24" Slide	303-50-24

15 pr/ctn

### SPLIT SLIDES (sold as each)

Length	Zinc	Black
10" Slide	—	303-50-10BLKC 303-50-10BLKD
12" Slide	cabinet 303-50-12C drawer 303-50-12D	303-50-12BLKC 303-50-12BLKD
14" Slide	cabinet 303-50-14C drawer 303-50-14D	303-50-14BLKC 303-50-14BLKD
16" Slide	cabinet 303-50-16C drawer 303-50-16D	303-50-16BLKC 303-50-16BLKD
18" Slide	cabinet 303-50-18C drawer 303-50-18D	303-50-18BLKC 303-50-18BLKD
20" Slide	cabinet 303-50-20C drawer 303-50-20D	303-50-20BLKC 303-50-20BLKD
22" Slide	cabinet 303-50-22C drawer 303-50-22D	303-50-22BLKC 303-50-22BLKD
24" Slide	cabinet 303-50-24C drawer 303-50-24D	303-50-24BLKC 303-50-24BLKD

30 cabinet/ctn 30 cabinet/ctn  
60 drawer/ctn 30 drawer/ctn

Rear Mounting Bracket	
303FU2 100 pr/ctn	
Self-Adjusting Plastic Rear Bracket	
303FU3 100 pr/ctn	
Rear Mounting Bracket with 8 mm Dowels	
303FU5 100 pr/ctn	

Rear Mounting Bracket with 10 mm Dowels	
303FU6 100 pr/ctn	
Face Frame Front Mounting Bracket	
303FU4 100 pr/ctn	

Self-Adjusting Plastic Rear Bracket with 8 mm Dowels	
303FU7-L 303FU7-R 50 each/ctn	

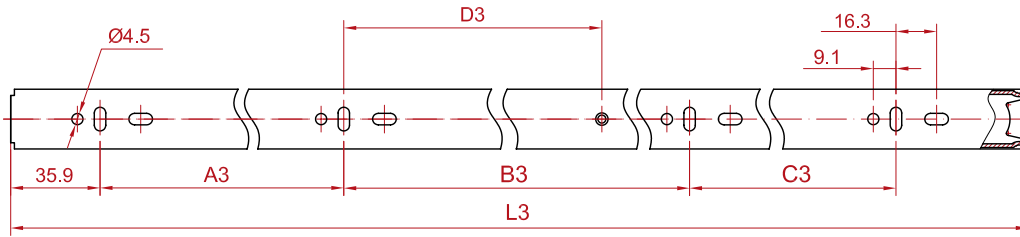
# 100 lb. Standard-Duty Slides

## 303-50 Series

Ball Bearing Slides

### Hole Pattern and Length Specifications

#### DRAWER MEMBER

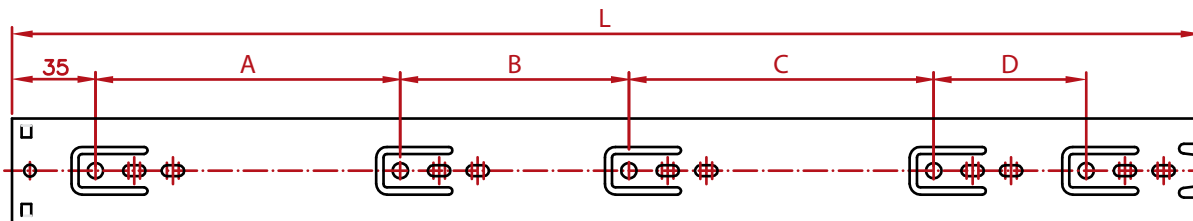


Specifications	L3	A3	B3	C3	D3
303-50-12 - 12"	297	96	128	-	90
303-50-14 - 14"	347	128	128	-	85
303-50-16 - 16"	397	128	192	-	110.5
303-50-18 - 18"	447	160	192	-	101
303-50-20 - 20"	497	192	224	-	95
303-50-22 - 22"	547	224	224	-	81
303-50-24 - 24"	597	192	320	-	140

#### Installation Covers

		Protect slides from paint, stain, and dust during installation
303COVER-C	Installation cover cabinet member	High-strength plastic allows for multiple uses Installs on jobsite to protect slides from dust, paint, stain and damage Sold in 92" sticks—cut to fit any slide length Easily snaps on and off
303COVER-D	Installation cover drawer member	

#### CABINET MEMBER



Specifications	L	A	B	C	D
303-50-12 - 12"	300	128	96	-	-
303-50-14 - 14"	350	128	96	-	-
303-50-16 - 16"	400	128	96	64	-
303-50-18 - 18"	450	128	96	128	-
303-50-20 - 20"	500	128	96	128	64
303-50-22 - 22"	550	128	96	128	64
303-50-24 - 24"	600	128	96	192	64

#### Slide Mounting Kit

	SLIDE-KIT 50 pks/ctn
Includes 4 L-brackets & attachment screws Perfect for rollout drawers—mount slides directly to cabinet floor or fixed shelf Threaded collars mean secure slide attachment using only a screwdriver and included screws	

## Keyboard Slide without Tray

14" Black Slide	70541BK 20 pr/ctn
<i>Recommended screw:</i> #8 x 3/4" pan head	



- » Variable height range of 2"–3-7/8" in 7/16" increments
- » Heavy-duty cold-rolled steel construction with black powder coat finish
- » Keyboard slide built onto a 14" ball bearing slide
- » #8 x 3/4" pan washer head screw recommended for installation

## Slide Mounting Kit

4 Zinc L-brackets & Screws	SLIDE-KIT 50 pks/ctn
<i>Recommended screw:</i> #6 pan head	



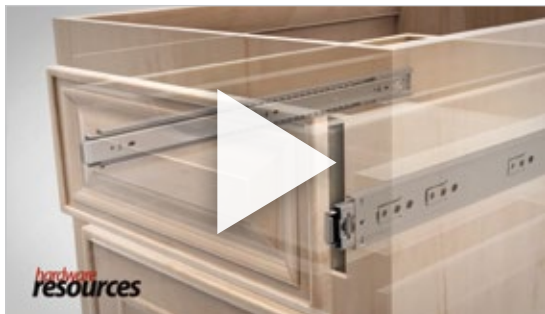
- » Perfect for rollout drawers—mount slides directly to cabinet floor or fixed shelf
- » Will fit 301FU and 303FU series ball bearing slides as well as undermount slides
- » Threaded collars mean secure attachment using only a screwdriver
- » Screws for mounting to slides included
- » #6 pan head screw suggested for installation to cabinet floor



# Video Resources for Ball Bearing Slides

The below videos are a collection of useful resources for Hardware Resources undermount slides and related products.

Use the QR codes or short links below to view each video.



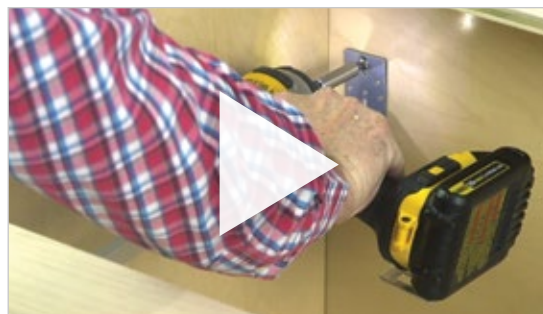
**Hardware Resources**  
**Dura-Close™ Ball**  
**Bearing Slide**  
[delivr.com/2mhzc](http://delivr.com/2mhzc)



**One Minute Hits:**  
**Cage Hold Forward**  
[delivr.com/27d7b](http://delivr.com/27d7b)



**How to Use Your Multi Tool**  
[delivr.com/2pww8](http://delivr.com/2pww8)



**How to Use Your Rear**  
**Bracket Installation Tool**  
[delivr.com/2yhj3](http://delivr.com/2yhj3)



**Correct Screw Selection**  
**for Slides**  
[delivr.com/2bsd5](http://delivr.com/2bsd5)



View all of our video content at  
[www.vimeo.com/HardwareResources](http://www.vimeo.com/HardwareResources)

View additional resources at [www.HardwareResources.com/Functional-Hardware](http://www.HardwareResources.com/Functional-Hardware)

# Epoxy Slides



[ 58 ]

**Commercial-Grade Heavy-Duty Slides:  
5000 Series**



[ 60 ]

**Economy Self-Closing Slides:  
2000 Series**



[ 62 ]

**Self-Closing Double Captive Slides:  
9400/9500 Series**

# HR Series Comparison

## Epoxy Slides



✓ Customer Favorite

Series	9400/9500	5000	2000
Category	Heavy-Duty	Medium-Duty	Standard-Duty
Grade 1 ANSI/BHMA Certified	100 lb.	75 lb.	75 lb.
Double Captive	✓		
32 mm System Compatible	✓	✓	✓
Profile Height	1-5/8"	1-7/16"	1-7/16"
Lengths	16"-22"	14"-24"	12"-22"



A standard-duty self-closing slide designed for use in either frameless or face frame applications.



### Features

- 3/4 extension slide travel
- 75 lb. weight rating
- Side or bottom mounting style for frameless and face frame cabinetry
- POM synthetic plastic roller, cylindrically ground for smooth and quiet action
- Positive lock-out on both members
- Disconnects via lift out
- Self-closing with positive stop prevents drawer bounce-back and roll-out

### Specs

- 1-7/16" profile height
- 1/2" side spacing
- Epoxy powder-coated cream white finish
- 1.0 mm cold-rolled steel material
- 32 mm system hole pattern
- 6.3 mm euro screw or #6 undercut screw is recommended

## Ordering

### Bulk Pack

Description	Part Number
14" Bulk Pack Cabinet Member	5035CL/CR
14" Bulk Pack Drawer Member	5035DL/DR
16" Bulk Pack Cabinet Member	5040CL/CR
16" Bulk Pack Drawer Member	5040DL/DR
18" Bulk Pack Cabinet Member	5045CL/CR
18" Bulk Pack Drawer Member	5045DL/DR
20" Bulk Pack Cabinet Member	5050CL/CR
20" Bulk Pack Drawer Member	5050DL/DR
22" Bulk Pack Cabinet Member	5055CL/CR
22" Bulk Pack Drawer Member	5055DL/DR
24" Bulk Pack Cabinet Member	5060CL/CR
24" Bulk Pack Drawer Member	5060DL/DR

100 pcs/ctn

### Builder Pack

Description	Part Number
14" (350 mm) Builder Pack	5035
16" (400 mm) Builder Pack	5040
18" (450 mm) Builder Pack	5045
20" (500 mm) Builder Pack	5050
22" (550 mm) Builder Pack	5055

25 pcs/ctn





# Economy Self-Closing Slides

## 2000 Series

An economy self-closing slide designed for use in either frameless or face frame applications.



### Features

- 3/4 extension slide travel
- 75 lb. weight rating
- Side or bottom mounting style for frameless and face frame cabinetry
- POM synthetic plastic roller, cylindrically ground for smooth and quiet action
- Positive lock-out on both members
- Disconnects via lift out
- Self-closing with positive stop prevents drawer bounce-back and roll-out

### Specs

- 1-7/16" profile height
- 1/2" side spacing
- Epoxy powder-coated cream white finish
- 1.0 mm cold-rolled steel material
- 32 mm system hole pattern
- 6.3 mm euro screw or #6 undercut screw is recommended

## Ordering

### Bulk Pack

Description	Part Number
12" Bulk Pack Cabinet Member	2030CL/CR
12" Bulk Pack Drawer Member	2030DL/DR
14" Bulk Pack Cabinet Member	2035CL/CR
14" Bulk Pack Drawer Member	2035DL/DR
16" Bulk Pack Cabinet Member	2040CL/CR
16" Bulk Pack Drawer Member	2040DL/DR
18" Bulk Pack Cabinet Member	2045CL/CR
18" Bulk Pack Drawer Member	2045DL/DR
20" Bulk Pack Cabinet Member	2050CL/CR
20" Bulk Pack Drawer Member	2050DL/DR
22" Bulk Pack Cabinet Member	2055CL/CR
22" Bulk Pack Drawer Member	2055DL/DR

100 pcs/ctn

### Builder Pack

Description	Part Number
12" (300 mm) Builder Pack	2030
14" (350 mm) Builder Pack	2035
16" (400 mm) Builder Pack	2040
18" (450 mm) Builder Pack	2045
20" (500 mm) Builder Pack	2050
22" (550 mm) Builder Pack	2055B

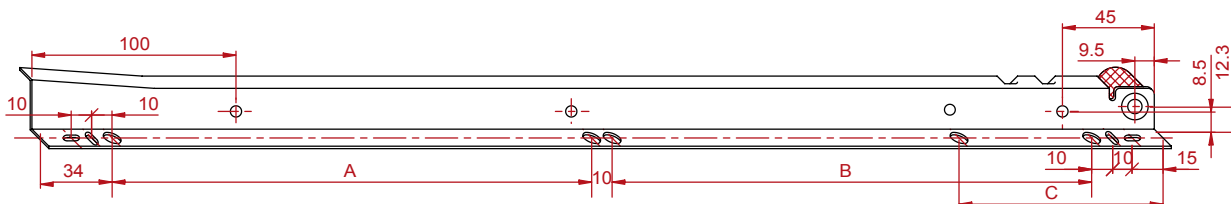
25 pcs/ctn

# Economy Self-Closing Slides 2000 Series

Epoxy  
Slides

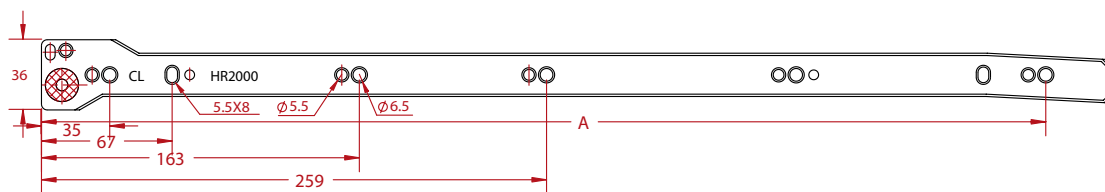
## Hole Pattern and Length Specifications

### DRAWER MEMBER



Specifications	L	A	B	C
2030 - 12"	300	110	110	-
2035 - 14"	350	135	135	-
2040 - 16"	400	160	160	-
2045 - 18"	450	185	185	-
2050 - 20"	500	210	210	53
2055 - 22"	550	235	235	102

### CABINET MEMBER



Specifications	A
2030 - 12"	-
2035 - 14"	323
2040 - 16"	355
2045 - 18"	387
2050 - 20"	451
2055 - 22"	515

### Rear Mounting Bracket

Left Hand Rear Socket	9000-LH	
Right Hand Rear Socket	9000-RH	
Mounts to rear cabinet wall; slotted holes allow vertical and horizontal adjustment		

100 pcs/bag - 500 pcs/ctn

# Self-Closing Double Captive Slides 9400/9500 Series

A self-closing double captive slide that reduces slide play for a more stable drawer action.




## Features


- 3/4 extension slide travel
- 100 lb. weight rating
- Side or bottom mounting style for frameless and face frame cabinetry
- Double captive (left and right channels) reduces side play for on-track precision across the entire length of the slide
- POM synthetic plastic roller, cylindrically ground for smooth and quiet action
- Positive lock-out on both members
- Disconnects via lift out
- Self-closing with positive stop prevents drawer bounce-back and roll-out

## Specs

- 1-5/8" profile height
- 1/2" side spacing
- 1.0 mm cold-rolled steel material
- Epoxy powder-coated cream white finish
- 32 mm system hole pattern
- 6.3 mm euro screw or #6 undercut screw is recommended

## Mounting Brackets

	
Left Hand Adjustable Socket	8001L
Right Hand Adjustable Socket	8001R
Rear mounting holes are slotted for easy adjustment	

	
Left Hand Adjustable Socket with 10 mm Dowels	8000L
Right Hand Adjustable Socket with 10 mm Dowels	8000R

100 pcs/bag - 500 pcs/ctn

100 pcs/bag - 500 pcs/ctn

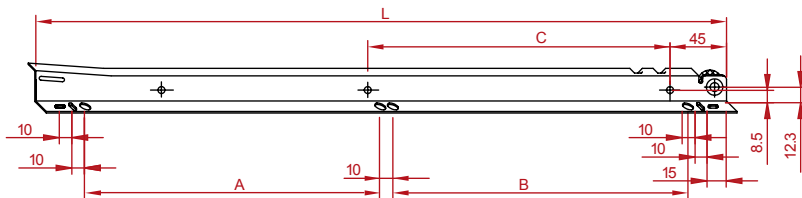
## Ordering

Description	Part Number
16-3/8" (416 mm) Bulk Pack Cabinet Member	9416CL/CR
15-3/4" (400 mm) Bulk Pack Drawer Member	9400DL/DR
18-3/4" (476 mm) Bulk Pack Cabinet Member	9476CL/CR
17-3/4" (450 mm) Bulk Pack Drawer Member	9450DL/DR
19-3/4" (500 mm) Bulk Pack Cabinet Member	9500CL/CR
19-3/4" (500 mm) Bulk Pack Drawer Member	9500DL/DR
22-1/2" (572 mm) Bulk Pack Cabinet Member	9572CL/CR
21-5/8" (550 mm) Bulk Pack Drawer Member	9550DL/DR

100 pcs/ctn

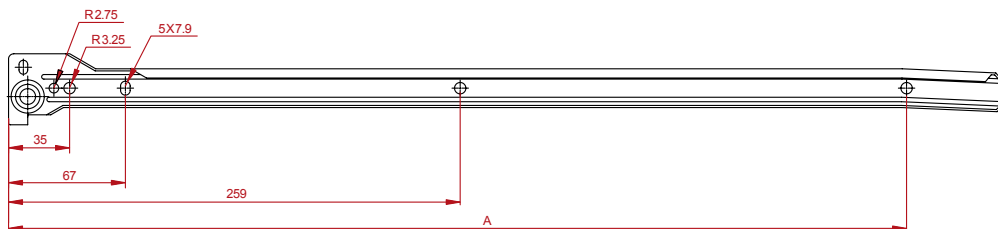
## Hole Pattern and Length Specifications

### DRAWER MEMBER



Specifications	L	A	B	C
9400 - 16"	160	160	170	400
9450 - 18"	185	185	195	450
9500 - 20"	210	210	220	500
9550 - 22"	235	235	245	550

### CABINET MEMBER



Specifications	A
9416 - 16"	355
9476 - 18"	387
9500 - 20"	451
9572 - 22"	515

# Quick Tray Pilaster System



- » Overall height is 20-1/8"
- » Vertical adjustment of shelves in increments of 1-1/4"
- » No tools necessary for shelf adjustments
- » Front spacing lip allows for offset behind the face frame
- » Supports are non-handed for easy installation
- » Frameless application can be mounted with wood or euro screws
- » Face frame application can be fastened with staples or wood screws
- » Can be factory installed or added to existing cabinets

**Pilasters:**

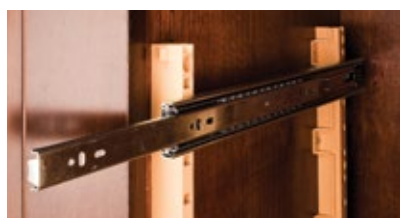
Maple	B512-01 5 pc/ctn	1-1/4" Pilaster System Pack, clear-coated maple pilaster with beige insert Pack Includes: 4 pilasters, 8 undermount hook dowels* and 16 screws
White	B500-00 100 pc/ctn	Quick Tray 1" Pilaster bulk pack Pack Includes: 100 pilasters, 200 undermount hook dowels* and 200 screws
	B520-00 20 pks/ctn	1" Pilaster System Pack Pack Includes: 4 pilasters, 8 undermount hook dowels* and 8 screws
	B521-00 20 pks/ctn	1-1/4" Pilaster System Pack Pack Includes: 4 pilasters, 8 undermount hook dowels* and 8 screws
Beige	B520-01 20 pks/ctn	1" Pilaster System Pack Pack Includes: 4 pilasters, 8 undermount hook dowels* and 8 screws
	B521-01 20 pks/ctn	1-1/4" Pilaster System Pack Pack Includes: 4 pilasters, 8 undermount hook dowels* and 8 screws

**Use with any slide:**

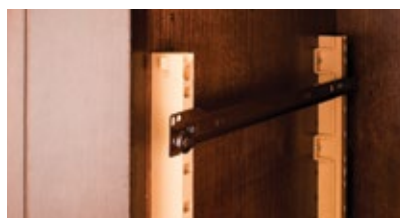
**UNDERMOUNT**



**BALL BEARING**



**EPOXY**



**Accessories:**

White	530117 2000 pc/ctn	7/8" Plastic Spacer with 1-3/8" CC holes 1-7/8" overall width	
	EXE001 2000 pc/ctn	3/4" Spacer with 32 mm holes	
Beige	B-400-02 100 pc/pk 10 pks/ctn	Drawer Bumper for Rollout Tray 11/16" (18 mm) Recommended screw: 6X7160-B	
Zinc	T-506 1000 pc/ctn	Hook Dowels for ball bearing slides (sold individually)	
	T-508 1000 pc/ctn	Hook Dowels for undermount slides (sold individually)	

\*Ball bearing slide hook dowels sold separately



Scan to view the Quick Tray calculation sheet  
delivr.com/2hwjs

# Slide and Hinge Installation Tool HR-TOOL-300



PATENT  
D824,741



## Ordering

Description	Part Number
Slide and Hinge Installation Tool	HR-TOOL-300

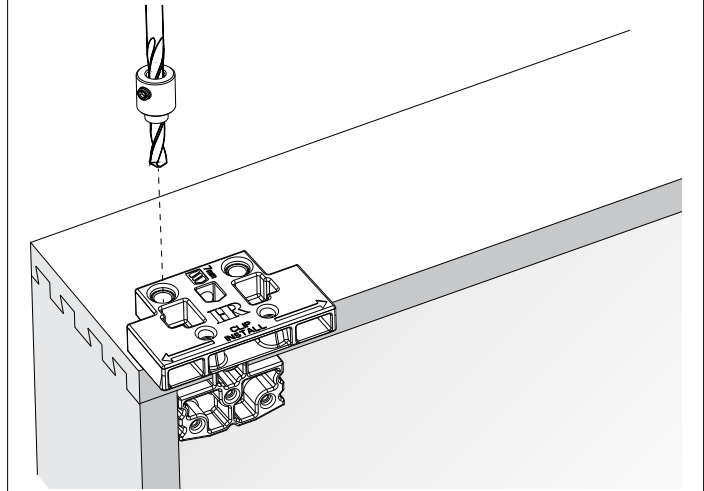


Scan for a video about  
how to use this tool  
[delivr.com/2pww8](http://delivr.com/2pww8)

### Each kit includes:

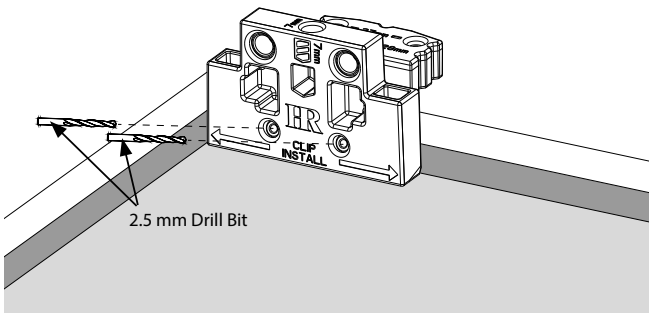
- Mounting Jig
- 7 mm Drill Bit
- Drill Bit Depth Collar
- Allen Wrench
- 2.5 mm Drill Bit

#### Drilling Location for Rear Hook Hole on Drawer Box; Left and Right

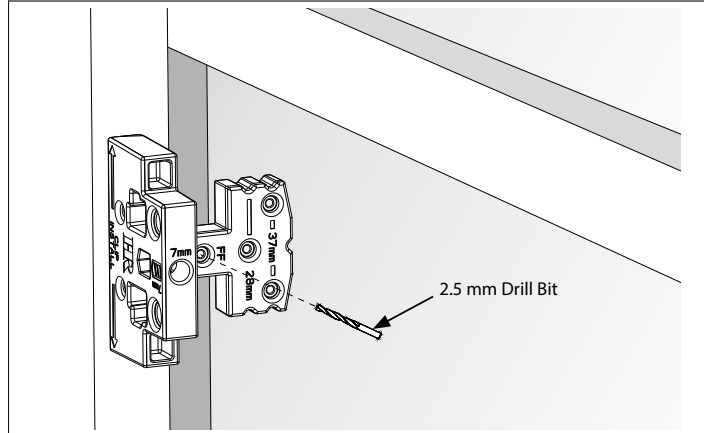


#### Drilling Location for Hardware Resources Undermount Slide Clip

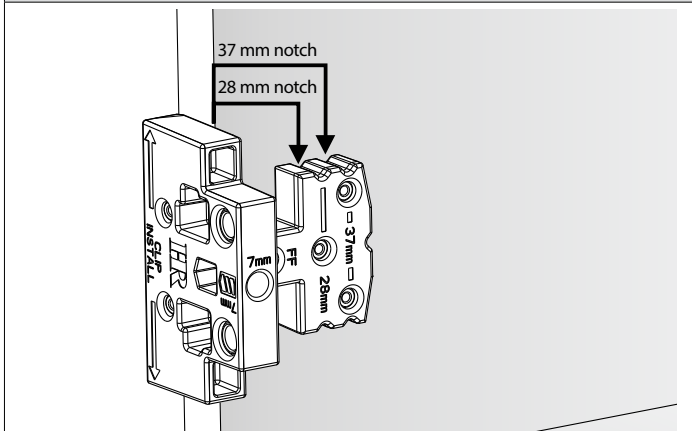
NOTE: Works with USCLIP500-2-xx and USECLIP2ND-xx clips.



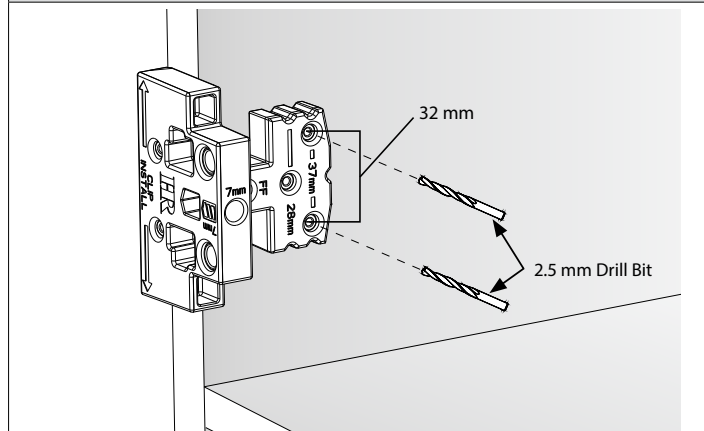
#### Drill Locations for Compact Hinge on Face Frame Cabinets



#### "V" Notches for Frameless Hinge Plate Holes at 28 mm and 37 mm Setback



#### Drill Locations for Hinge Plates in Frameless Cabinets with 37 mm Setback





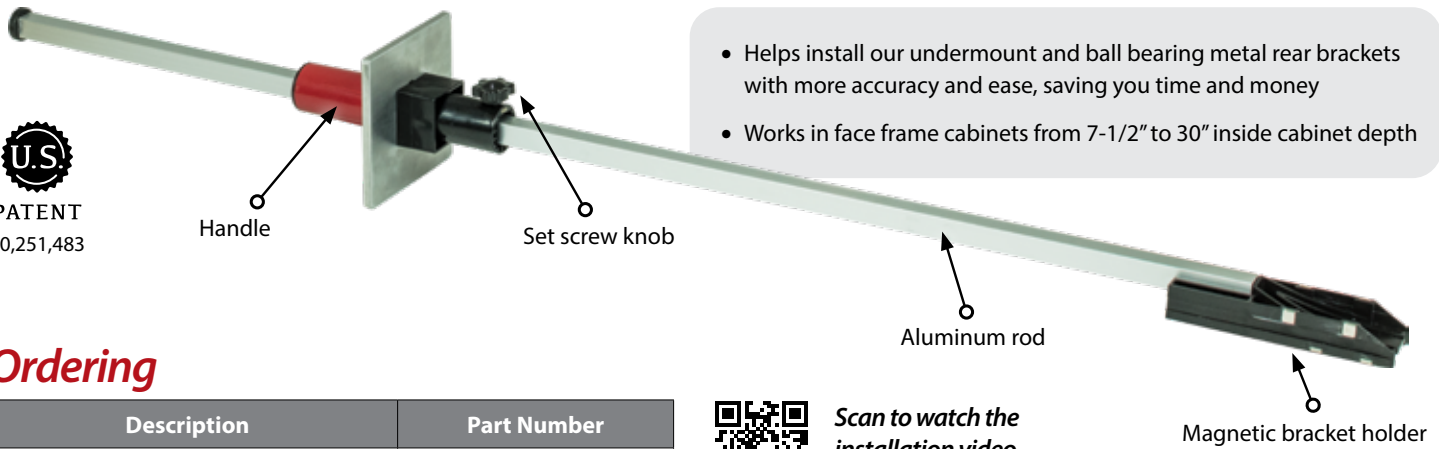
# Rear Slide Bracket Installation Tool

## HR-TOOL-RBINST

Slide  
Accessories



PATENT  
10,251,483



- Helps install our undermount and ball bearing metal rear brackets with more accuracy and ease, saving you time and money
- Works in face frame cabinets from 7-1/2" to 30" inside cabinet depth

### Ordering

Description	Part Number
Rear Slide Bracket Installation Tool	HR-TOOL-RBINST



Scan to watch the  
installation video  
[delivr.com/2yhj3](https://delivr.com/2yhj3)

**Step 1: For Ball Bearing Slides**

Insert ball bearing bracket tabs into the side channel of the bracket holder

With the set screw knob facing upward, place the bottom of the magnetic bracket holder into the bottom channel of slide bracket. Make sure the bracket is square and pushed firmly against end of bracket holder.

**Step 1: For Undermount Slides**

Insert undermount bracket tabs into the bottom channel of the bracket holder

With the set screw knob facing upward, place the inside bottom of the slide bracket against the bottom of the magnetic bracket holder. Make sure the bracket is square and pushed firmly against end of magnetic bracket holder.

**Step 2**

Make sure set screw knob is facing upward. Loosen set screw.

**Step 4**

Making sure slide bracket is firmly attached to end of tool, carefully extend aluminum rod to back of cabinet with other hand.

**Step 6**

Attach slide bracket with screws using a drill or screwdriver.

**Step 3**

With your hand, grasp installation tool handle and place it in the bottom left corner of drawer opening. Be sure that the handle is flush and square against face frame.

**Step 5**

Keeping pressure on aluminum rod and bracket, tighten set screw knob for quicker installations of same cabinet depth.

**Step 7**

Slide out installation tool. Repeat process on right side.

# Barn Door Hardware

This Matte Black barn door hardware brings a rustic/farmhouse style to any space. Install a barn door system in any door entryway including closets, pantries, laundry rooms, studies, and more.



## Features

- Use two kits side-by-side for a large, double-door opening
- Soft-close damper included
- Maximum door weight of 220 lb.
- 8 ft. track works with doors up to 48" wide
- 6 ft. track works with doors up to 36" wide



Description	Part Number
8 ft. Track	BDH-01MB-96SET Set of 20
6 ft. Track	BDH-01MB-72-R* Sold individually

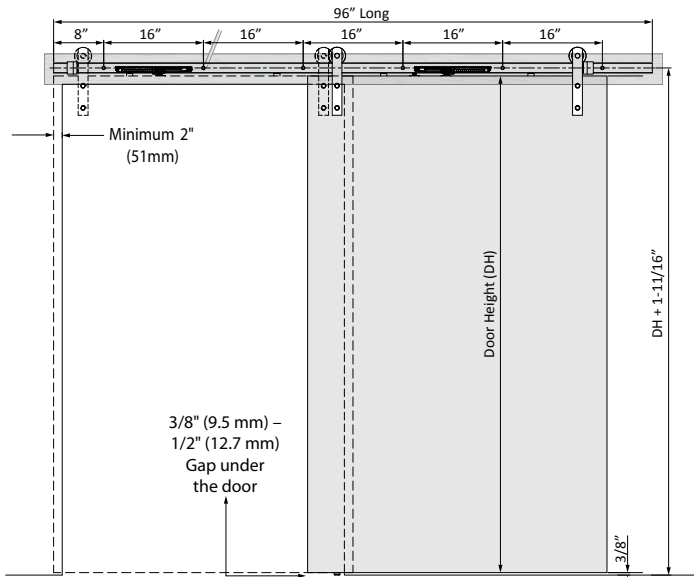
\*Retail packaged

The kit includes:

- (1) Flat 8 ft. track for BDH-01MB-96SET; 6 ft. track for BDH-01MB-72-R
- (2) Door rollers
- (2) Door stops
- (2) Anti-jump disk
- (2) Door guide options
- (2) Soft-close dampers
- (6) Wall brackets; (5) for BDH-01MB-72-R
- Accessories in Matte Black finish

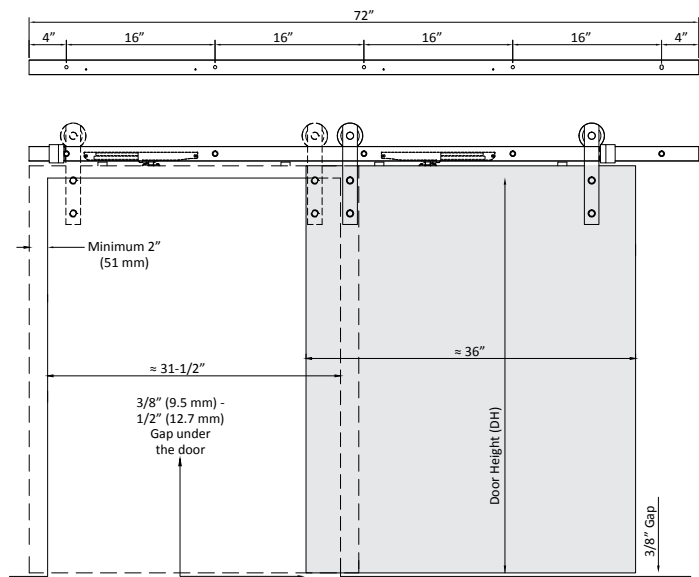
## 8 ft. Track

BDH-01MB-96



## 6 ft. Track

BDH-01MB-72-R



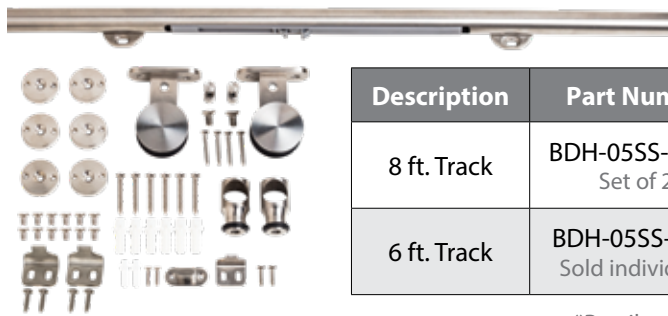
# Barn Door Hardware

This Stainless Steel barn door hardware brings modern/industrial style to any space. Install a barn door system in any door entryway including closets, pantries, laundry rooms, studies, and more.



## Features

- Use two kits side-by-side for a large, double-door opening
- Soft-close damper included
- Maximum door weight of 175 lb.
- 8 ft. track works with doors up to 48" wide
- 6 ft. track works with doors up to 36" wide



Description	Part Number
8 ft. Track	BDH-05SS-96SET Set of 20
6 ft. Track	BDH-05SS-72-R* Sold individually

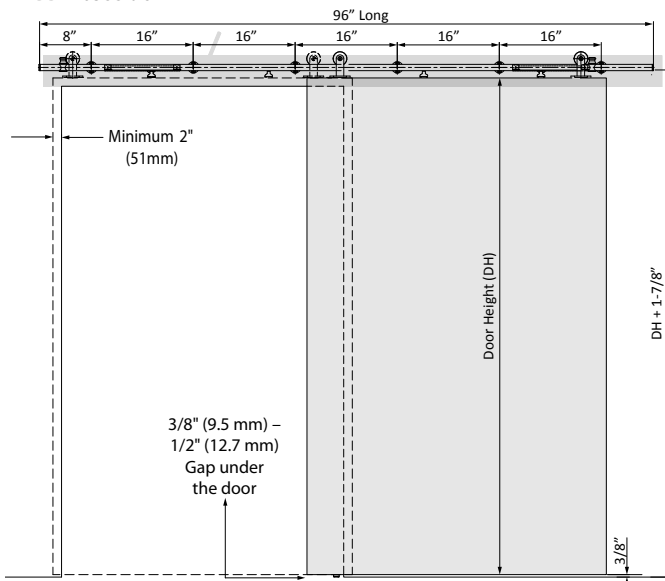
\*Retail packaged

The kit includes:

- (1) Flat 8 ft. track for BDH-05SS-96SET; 6 ft. track for BDH-05SS-72-R
- (2) Door rollers
- (2) Door stops
- (2) Anti-jump disk
- (2) Door guide options
- (2) Soft-close dampers
- (6) Wall brackets; (5) for BDH-05SS-72-R
- Accessories in Stainless Steel

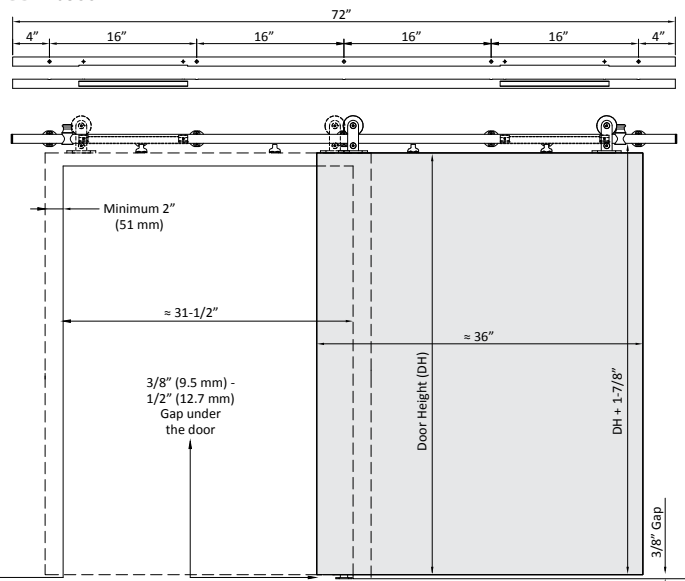
## 8 ft. Track

BDH-05SS-96



## 6 ft. Track

BDH-05SS-72-R



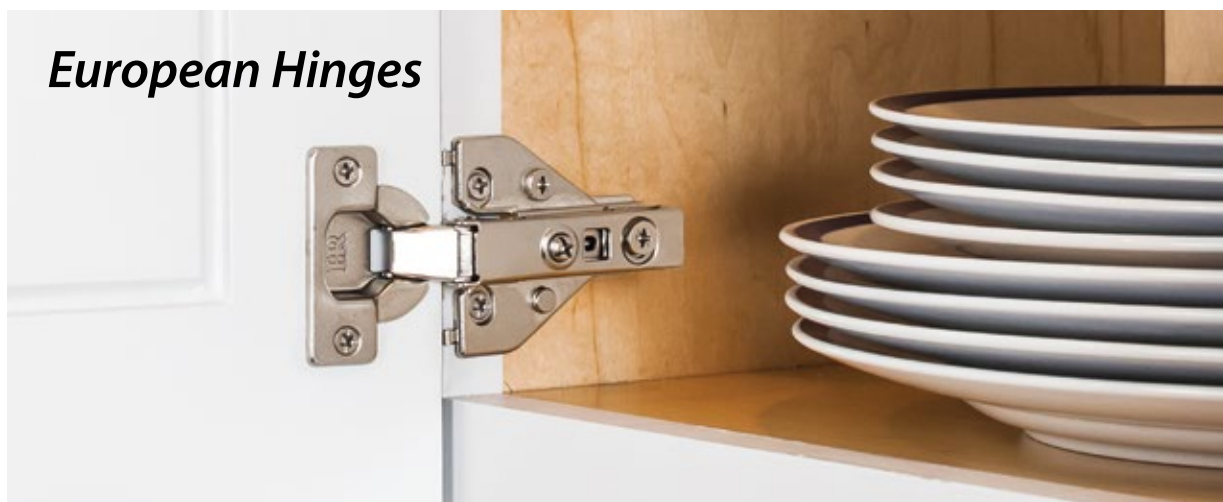


# Choosing Hinges for the Job

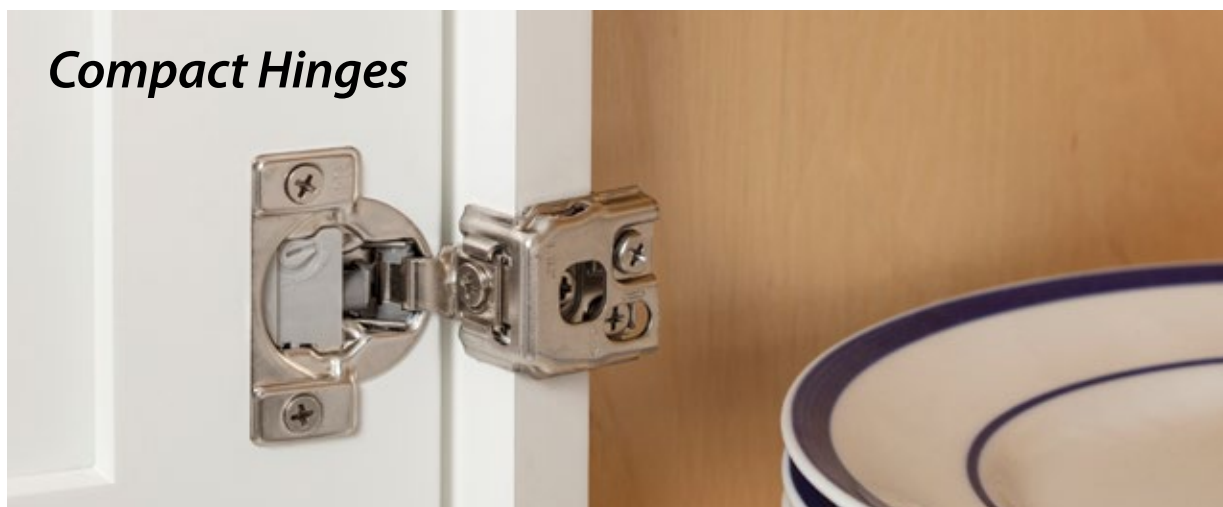


Choosing the best hinge for your application can be challenging. To simplify the process, we've identified the most significant features and benefits for each hinge style to help you choose the best hinge for your job.

*European Hinges*



*Compact Hinges*



# European Hinges



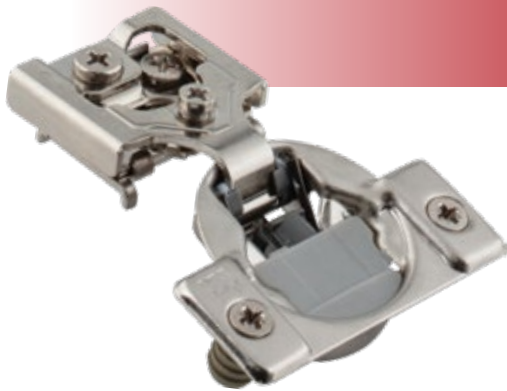
- Used for face frame or frameless cabinetry
- Multiple variations for custom cabinetry—including inset, blind corners, and multiple overlays with a single hinge
- Standard 45 mm boring pattern
- Adjustable tab for fine-tuning overlays

*View details about each European Hinge series on pages 72-97*



View our Mounting Plate options on pages 84-87 (600 Series) and pages 94-97 (400 Series)

# Compact Hinges



- More overlays available (3/8" – 1-1/2"); no need to calculate hinge crank and plate height for overlay
- One-piece design for fast and easy installation
- Standard bore with 3 mm tab for all overlays

*View details about each Compact Hinge series on pages 106-117*

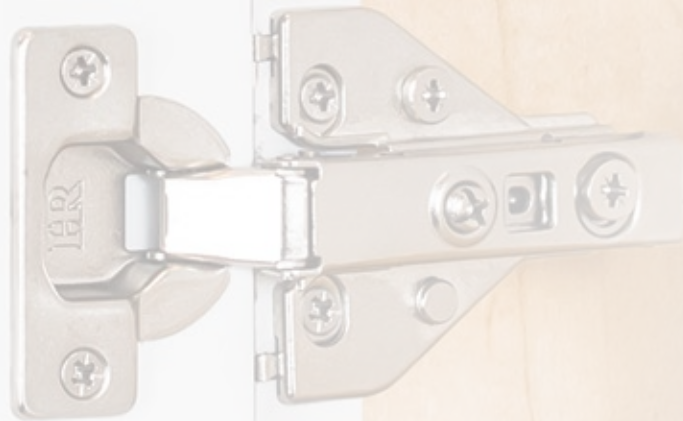




# European Hinges

Hardware Resources has a well-rounded selection of hinges to meet just about every application: Face Frame/Frameless and Soft-Close/Self-Close.

- **1750 Series:** 90° and 110° Heavy-Duty European Hinges with Adjustable Closing Speed
- **725 Series:** 110°, 125° and 165° Heavy-Duty European Hinges
- **700 Series:** 90°, 110°, 125° and 165° Heavy-Duty Soft-Close European Hinges
- **500 Series:** 90°, 110°, 125° and 170° Standard-Duty European Hinges



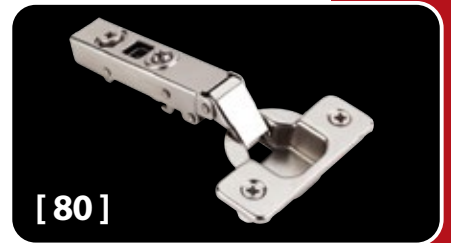
**Heavy-Duty European Hinges with  
Adjustable Closing Speed:  
1750 Series**



**Heavy-Duty Soft-Close European Hinges:  
700 Series**



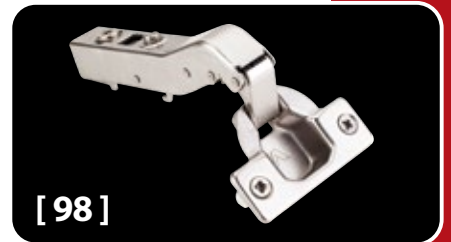
**Heavy-Duty European Hinges:  
725 Series**



**Standard-Duty European Hinges:  
500 Series**



**Specialty Hinges**



# HR Series Comparison

## European Hinges



Series	1750
Category	Adjustable Closing Speed
Grade 1 ANSI/BHMA Certified	100,000+ Cycles
Soft-Close	✓ Adjustable Closing Speed
Overlays Available	Full, Half, Inset
Opening Angle	90° & 110°
Compatible Plate Series	600 Series



700	725	500
<b>Heavy-Duty Soft-Close</b>	<b>Heavy-Duty Self-Close</b>	<b>Standard-Duty Self-Close</b>
100,000+ Cycles	100,000+ Cycles	50,000+ Cycles
✓		
Full, Half, Inset	Full, Half, Inset	Full, Half, Inset
90°, 110°, 125°, 165°	110°, 125°, 165°	90°, 110°, 125°, 170°
600 Series	600 Series	400 Series

# Heavy-Duty Hinges with Adjustable Closing Speed

## 1750 Series

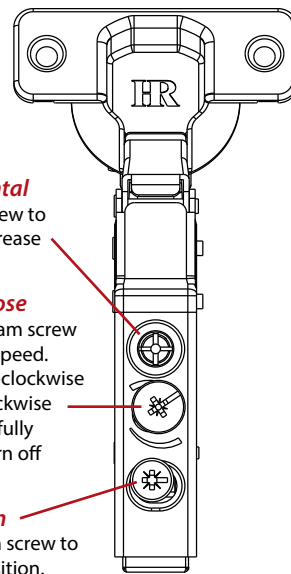
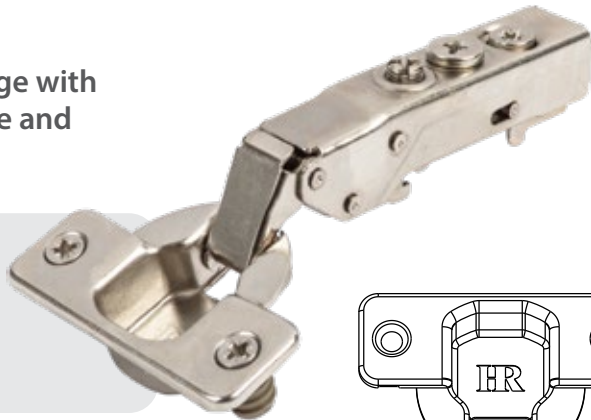
This is a patented, integrated soft-close European hinge with the ability to fine-tune closing speed based on the size and weight of the door.

### Features

- Adjustable closing speed
- Grade 2 ANSI/BHMA certified to ANSI 100,000 cycles

### Specs




- 90° and 110° opening angles
- 2-stop action
- Hinge and plate provide 6-way adjustability
- Cold-rolled steel with nickel plating
- 45 mm boring pattern
- Compatible with 600 Series mounting plates (see pages 84-87)

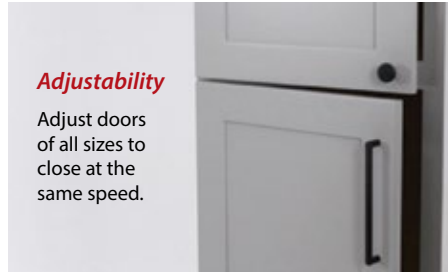


**Horizontal**  
Rotate front screw to increase or decrease door overlay.

**Soft-Close**  
Rotate center cam screw to adjust door speed. Rotate counter-clockwise to increase, clockwise to decrease, or fully clockwise to turn off soft-close.

**Depth**  
Rotate rear cam screw to adjust door position.

APPLICATION	Full Overlay 0 mm Crank	Half Overlay 9 mm Crank	Full Inset 15 mm Crank
<b>90° Hinges</b>			
 <b>Press-in 8 mm Dowels</b>	1750.0161.25 200/ctn		
<b>110° Hinges</b>			
 <b>No Dowels</b>	1750.0535.25 200/ctn	1750.0536.25 200/ctn	1750.0537.25 200/ctn
 <b>Press-in 8 mm Dowels</b>	1750.0181.25 200/ctn	1750.0179.25 200/ctn	1750.0280.25 200/ctn



### Adjustability

Adjust doors of all sizes to close at the same speed.

Hinges are cam adjustable unless otherwise noted

	<b>90° Restrictor Clip</b>	700.RC 100 pcs/box*
*FULL BOX QUANTITIES ONLY		



PATENT  
9,169,681; 9,617,773;  
10,081,975

<b>Certification</b> 2X ANSI 100,000+	<b>Opening Angle</b> 90° 110°	<b>Boring Hole Pattern</b> 45 mm
<b>Application</b> Face frame Frameless	<b>Finish</b> Nickel Plating	<b>Material</b> Steel
<b>Adjustment</b> 6 way	<b>Overlay</b> Full Half Inset	<b>Packaging</b> 200/ carton

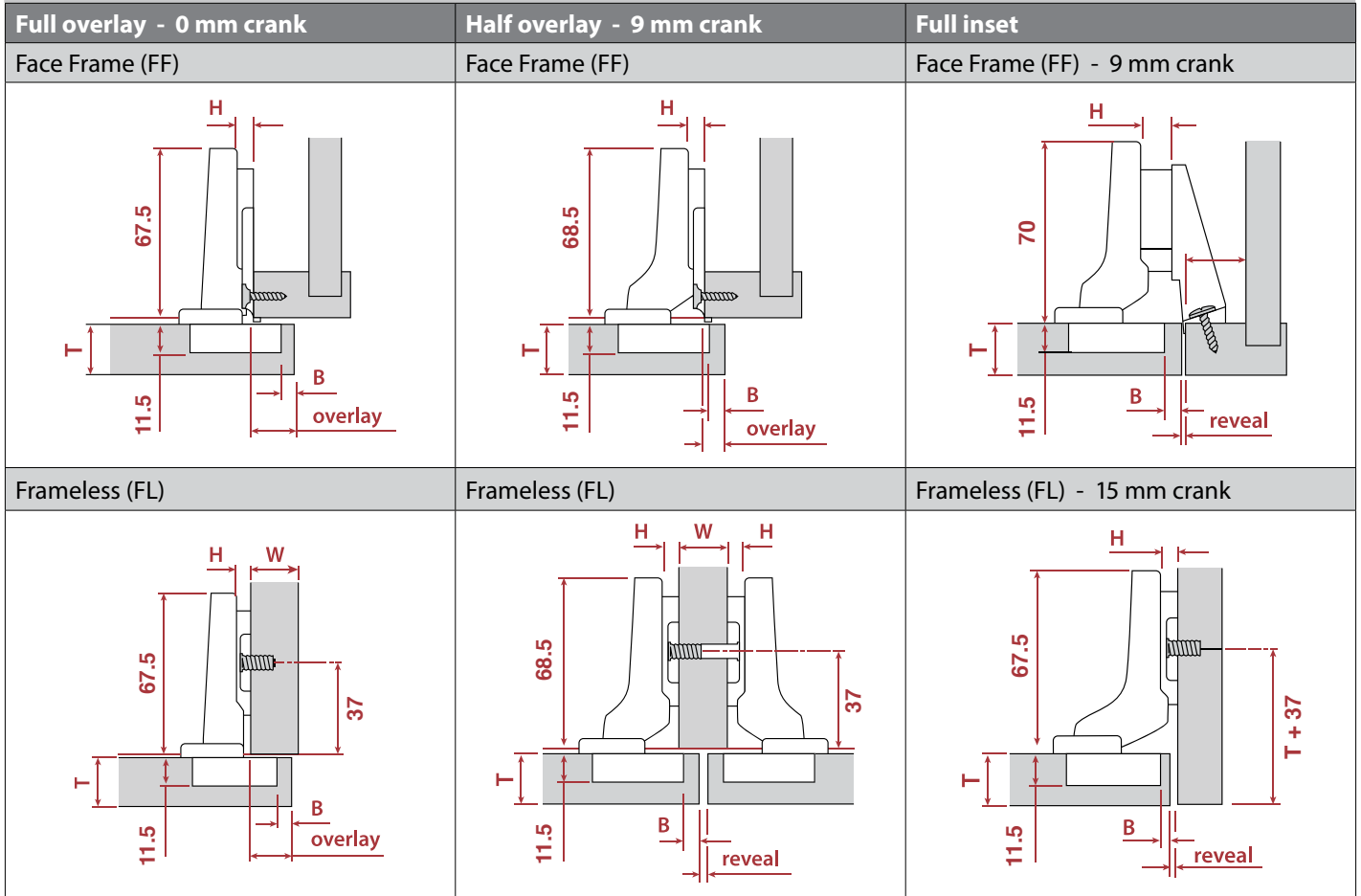


# Heavy-Duty Hinges with Adjustable Closing Speed

## 1750 Series

European Hinges

### 90° & 110° Hinges



H	FL/FF	Overlay					P	S	
0	FL/FF	16	17	18	19	20	8	18.5	
2	FL	14	15	16	17	18	10	20.5	
3	FF	13	14	15	16	17	11	21.5	
6	FF	10	11	12	13	14	14	24.5	
9	FL/FF	7	8	9	10	11	17	27.5	
		3	4	5	6	7	Fixed distance = 13		
		B = boring distance (Tab)							

H	FL/FF	Overlay					P	S	
0	FL/FF	6	7	8	9	10	17	28	
		3	4	5	6	7	Fixed distance = 3		
		B = boring distance (Tab)							

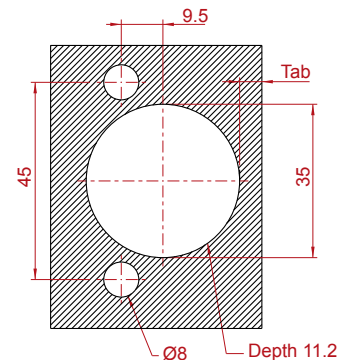
H	FL/FF	Reveal					P	S	
0	FL/FF	3	2	1	-	-	26.0	37.5	
9	FL/FF	0	-	-	-	-	24.0	33.0	
		3	4	5	6	7	Fixed distance = -6		
		B = boring distance (Tab)							

H	FL/FF	Reveal					W	P	S	
0	FL/FF	4	2	-	-	-	16			
		7	5	3	1	-	19	17	28	
		10	8	6	4	2	22			
		3	4	5	6	7				
		B = boring distance (Tab)								

Abbreviations	
H	= Plate height
P	= Door protrusion
S	= Side arm protrusion
T	= Door thickness
W	= Side panel width
FF	= Face frame
FL	= Frameless

Hinge Length	72.0
Mounting Dimension for Frameless Application*	37
Cup bore depth	11.5

\* Inset is "T+" (T=door thickness)



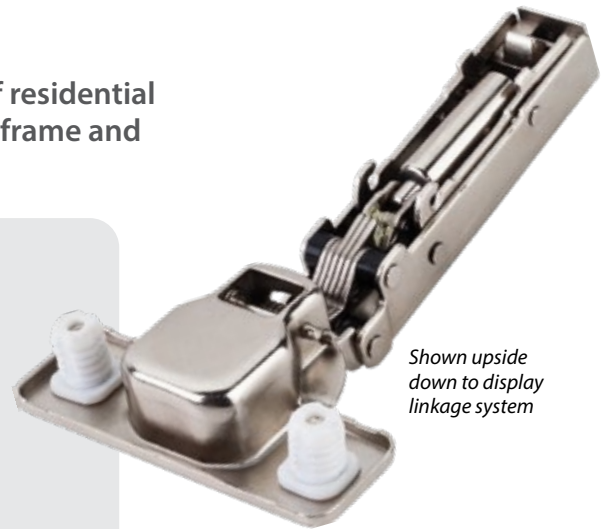
Subject to technical modifications without notice. Dimensions in millimeters (inch equivalents as noted).

# Heavy-Duty Soft-Close European Hinges



## 700 Series

This soft-close European hinge is ideal for a wide range of residential and commercial applications and is compatible with face frame and frameless cabinetry.



Shown upside down to display linkage system

### Features

- Heavy-duty soft-close spring and patented linkage system
- Grade 2 ANSI/BHMA certified to ANSI 100,000 cycles
- All metal concealed damper provides a lifetime of worry-free use
- Lever-Top option available

### Specs

- 90°, 110°, 125°, and 165° opening angles
- 2-stop action
- Hinge and plate provide 6-way adjustability
- Cold-rolled steel with nickel plating
- 45 mm boring pattern
- Compatible with 600 Series mounting plates (see pages 84-87)

#### Opening Angle



#### Application

Face frame  
Frameless

#### Finish



#### Adjustment



#### Overlay



#### Boring Hole Pattern



#### Material



#### Packaging



#### Certification



### Three-dimensional door adjustment

Horizontal adjustment	Vertical adjustment	Depth adjustment
Rotate front screw to increase or decrease door overlay (+/-2 mm).	Rotate cam screw on mounting plate to adjust door position (+/-2 mm). On non-cam mounting plates, loosen screws, adjust door and retighten screws.	Rotate rear cam screw to adjust door position (+3 mm, -2 mm).



8,819,897; 9,470,026;  
9,708,840

PATENT

# Heavy-Duty Soft-Close European Hinges 700 Series

European Hinges



Full Overlay  
0 mm Crank



Half Overlay  
9 mm Crank



Full Inset  
15 mm Crank

**APPLICATION**

**90° Hinges - Restricted**



Press-in  
8 mm Dowels

700.0161.25  
200/ctn

**110° Hinges**



No Dowels

700.0535.25  
(cam adjust)  
200/ctn

700.0534.25  
(screw adjust)  
200/ctn

700.0536.25  
200/ctn

700.0537.25  
200/ctn



Press-in  
8 mm Dowels

700.0181.25  
(cam adjust)  
200/ctn

700.0171.25  
(screw adjust)  
200/ctn

700.0179.25  
200/ctn

700.0280.25  
200/ctn

**125° Hinges**



No Dowels

700.0U85.05  
200/ctn



Press-in  
8 mm Dowels

700.0U84.05  
200/ctn



Easy-Fix  
Dowels  
with Cover

700.0U86.05  
200/ctn



Lever-Top  
Dowels

700.0U94.05  
200/ctn

Hinges are cam adjustable unless otherwise noted



Full Overlay  
0 mm Crank

**APPLICATION**

**165° Hinges - Full Overlay**



Press-in  
8 mm Dowels

700.0M73.05  
50/ctn



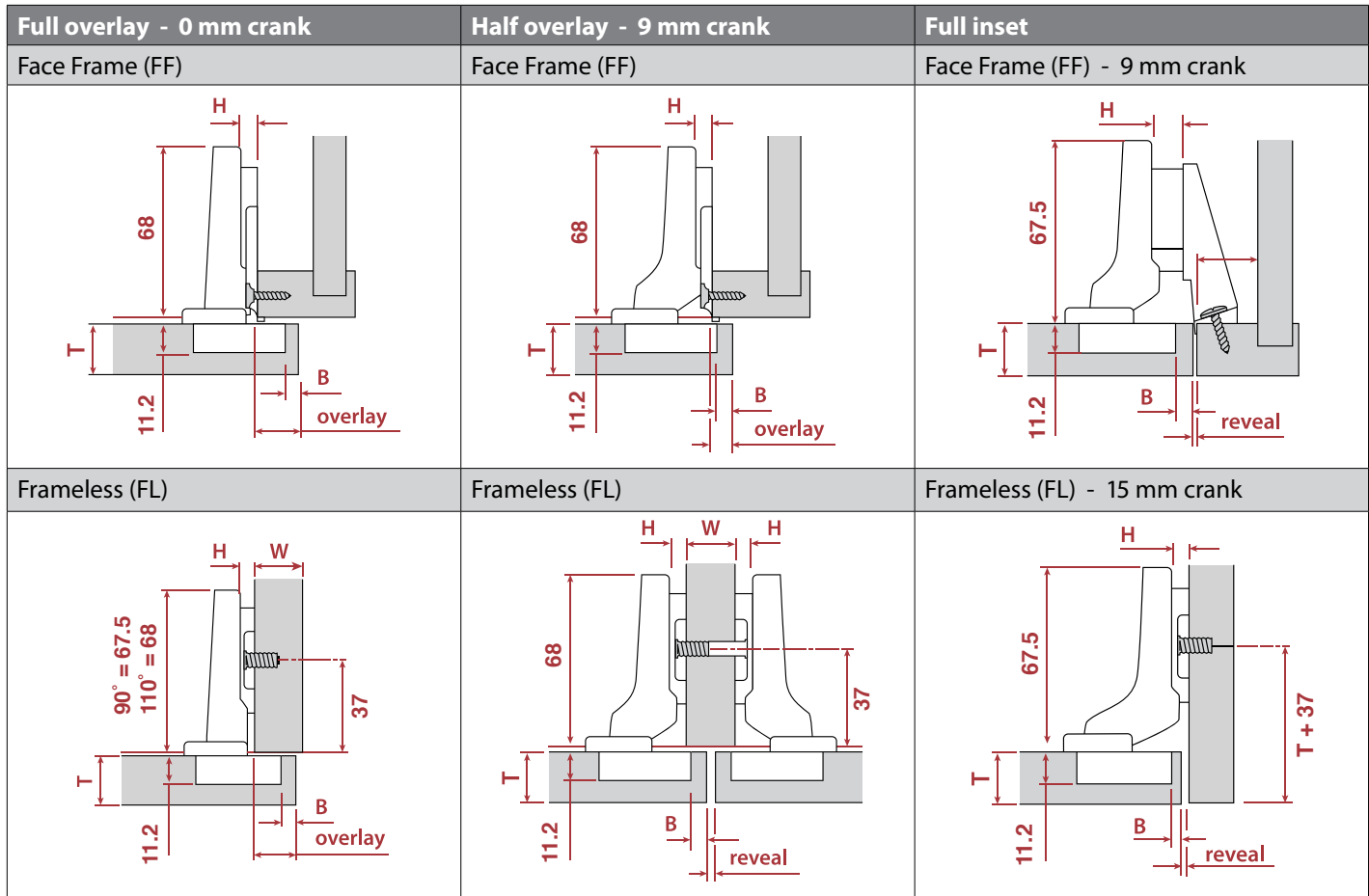
90° Restrictor Clip

700.RC  
100 pcs/box\*

\*FULL BOX QUANTITIES ONLY

# Heavy-Duty Soft-Close European Hinges 700 Series

## 90° & 110° Hinges



H	FL/FF	Overlay - 90°					P	S
0	FL/FF	16	17	18	19	20	4.5	19
2	FL	14	15	16	17	18	6.5	21
3	FF	13	14	15	16	17	7.5	22
6	FF	10	11	12	13	14	10.5	25
9	FL/FF	7	8	9	10	11	13.5	28
		3	4	5	6	7	Fixed distance = 13	
		B = boring distance (Tab)						

H	FL/FF	Overlay					P	S
0	FL/FF	6	7	8	9	10	17	28
		3	4	5	6	7	Fixed distance = 3	
		B = boring distance (Tab)						

H	FL/FF	Reveal					P	S
0	FL/FF	2.5	1.5	0.5	-	-	25.5	37
9	FL/FF	1	-	-	-	-	0	37
		3	4	5	6	7	Fixed distance = -5.5	
		B = boring distance (Tab)						

H	FL/FF	Reveal					W	P	S
0	FL/FF	4	2	-	-	-	16		
		7	5	3	1	-	19	17	28
		10	8	6	4	2	22		
		3	4	5	6	7			
		B = boring distance (Tab)							

H	FL/FF	Overlay - 110°					P	S
0	FL/FF	16	17	18	19	20	7	19
2	FL	14	15	16	17	18	9	21
3	FF	13	14	15	16	17	10	22
6	FF	10	11	12	13	14	13	25
9	FL/FF	7	8	9	10	11	16	28
		3	4	5	6	7	Fixed distance = 13	
		B = boring distance (Tab)						

Hinge Length	68 (67.5 inset)
Mounting Dimension for Frameless Application*	37
Cup bore depth	11.2

\* Inset is "T+" (T=door thickness)

Abbreviations	
H	= Plate height
P	= Door protrusion
S	= Side arm protrusion
T	= Door thickness
W	= Side panel width
FF	= Face frame
FL	= Frameless

Subject to technical modifications without notice. Dimensions in millimeters (inch equivalents as noted).

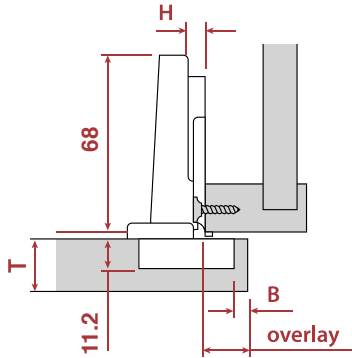
# Heavy-Duty Soft-Close European Hinges 700 Series

European Hinges

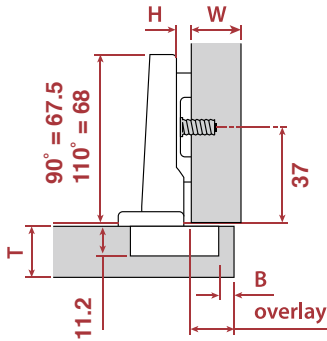
## 125° Hinges

Full overlay - 0 mm crank

Face Frame (FF)



Frameless (FL)



H	FL/FF	Overlay					P	S
0	FL/FF	16	17	18	19	20	8	19
2	FL	14	15	16	17	18	10	21
3	FF	13	14	15	16	17	11	22
6	FF	10	11	12	13	14	14	25
9	FL/FF	7	8	9	10	11	17	28
		3	4	5	6	7	Fixed distance = 13	
		B = boring distance (Tab)						

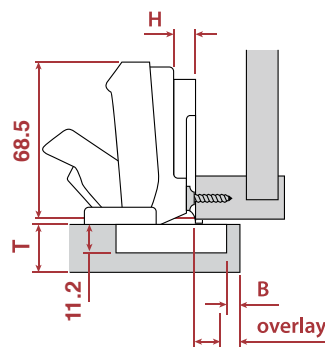
Hinge Length	68
Mounting Dimension for Frameless Application*	37
Cup bore depth	11.2

\* Inset is "T+" (T=door thickness)

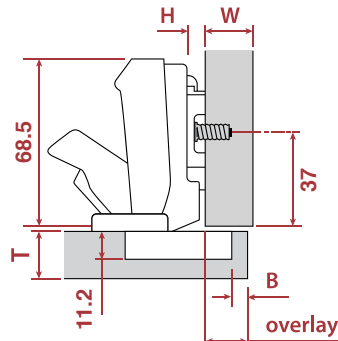
## 165° Hinges

Full overlay - 0 mm crank

Face Frame (FF)



Frameless (FL)

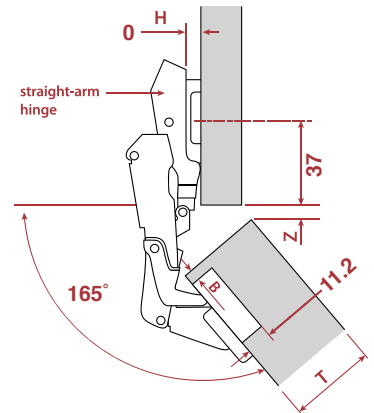


H	FL/FF	Overlay					P	S
0	FL/FF	15	16	17	18	19	-5	58.5
2	FL	13	14	15	16	17	-3	60.5
3	FF	12	13	14	15	16	-2	61.5
6	FF	9	10	11	12	13	1	64.5
9	FL/FF	6	7	8	9	10	4	67.5
		3	4	5	6	7	Fixed distance = 12	
		B = boring distance (Tab)						

Hinge Length	68.5
Mounting Dimension for Frameless Application*	37
Cup bore depth	11.2

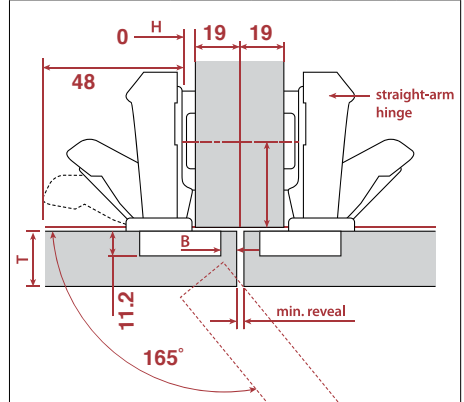
\* Inset is "T+" (T=door thickness)

Thick door application

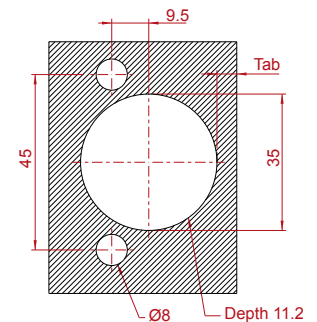


Z=Gap				
28	25	22	18	15
25	29	32	35	38
T = door thickness				

Twin door application



Minimum reveal table					S
0	0	0	14	17	66
19	22	25	29	32	
T = door thickness					

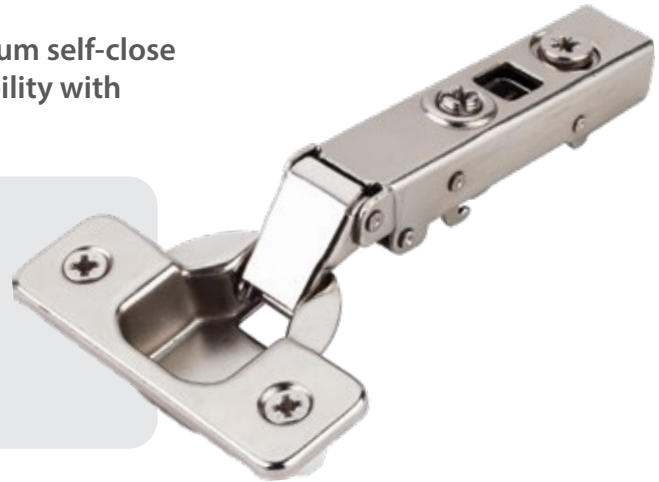


Subject to technical modifications without notice.  
Dimensions in millimeters (inch equivalents as noted).



# Heavy-Duty European Hinges 725 Series

The 725 series is perfect for those looking for a premium self-close hinge without the premium price. It has proven reliability with nearly a decade of recall-free performance.



## Features

Heavy-duty spring and patented linkage system  
Grade 2 ANSI/BHMA certified to ANSI 100,000 cycles

## Specs

110°, 125°, and 165° opening angles  
2-stop action  
Hinge and plate provide 6-way adjustability  
Cold-rolled steel with nickel plating  
45 mm boring pattern  
Compatible with 600 Series mounting plates (see pages 84-87)

### Opening Angle



### Application



### Finish



### Adjustment



### Overlay



### Boring Hole Pattern



### Material



### Packaging



### Certification



## Three-dimensional door adjustment

Horizontal adjustment	Vertical adjustment	Depth adjustment
Rotate front screw to increase or decrease door overlay (+/-2 mm).	Rotate cam screw on mounting plate to adjust door position (+/-2 mm). On non-cam mounting plates, loosen screws, adjust door and retighten screws.	Rotate rear cam screw to adjust door position (+3 mm, -2 mm).



8,819,897; 9,470,026;  
9,708,840

PATENT

# Heavy-Duty European Hinges 725 Series

European  
Hinges



Full Overlay  
0 mm Crank








Half Overlay  
9 mm Crank



Full Inset  
15 mm Crank

**APPLICATION**


110° Hinges				
	725.0535.25 (cam adjust) 200/ctn	725.0534.25 (screw adjust) 200/ctn	725.0536.25 200/ctn	725.0537.25 200/ctn
<i>No Dowels</i>				
	725.0181.25 (cam adjust) 200/ctn	725.0171.25 (screw adjust) 200/ctn	725.0179.25 200/ctn	725.0280.25 200/ctn
<i>Press-in 8 mm Dowels</i>				
125° Hinges				
	725.0U85.05 200/ctn			
<i>No Dowels</i>				
	725.0U84.05 200/ctn			
<i>Press-in 8 mm Dowels</i>				
	725.0U94.05 200/ctn			
<i>Lever-Top Dowels</i>				

Hinges are cam adjustable unless otherwise noted.



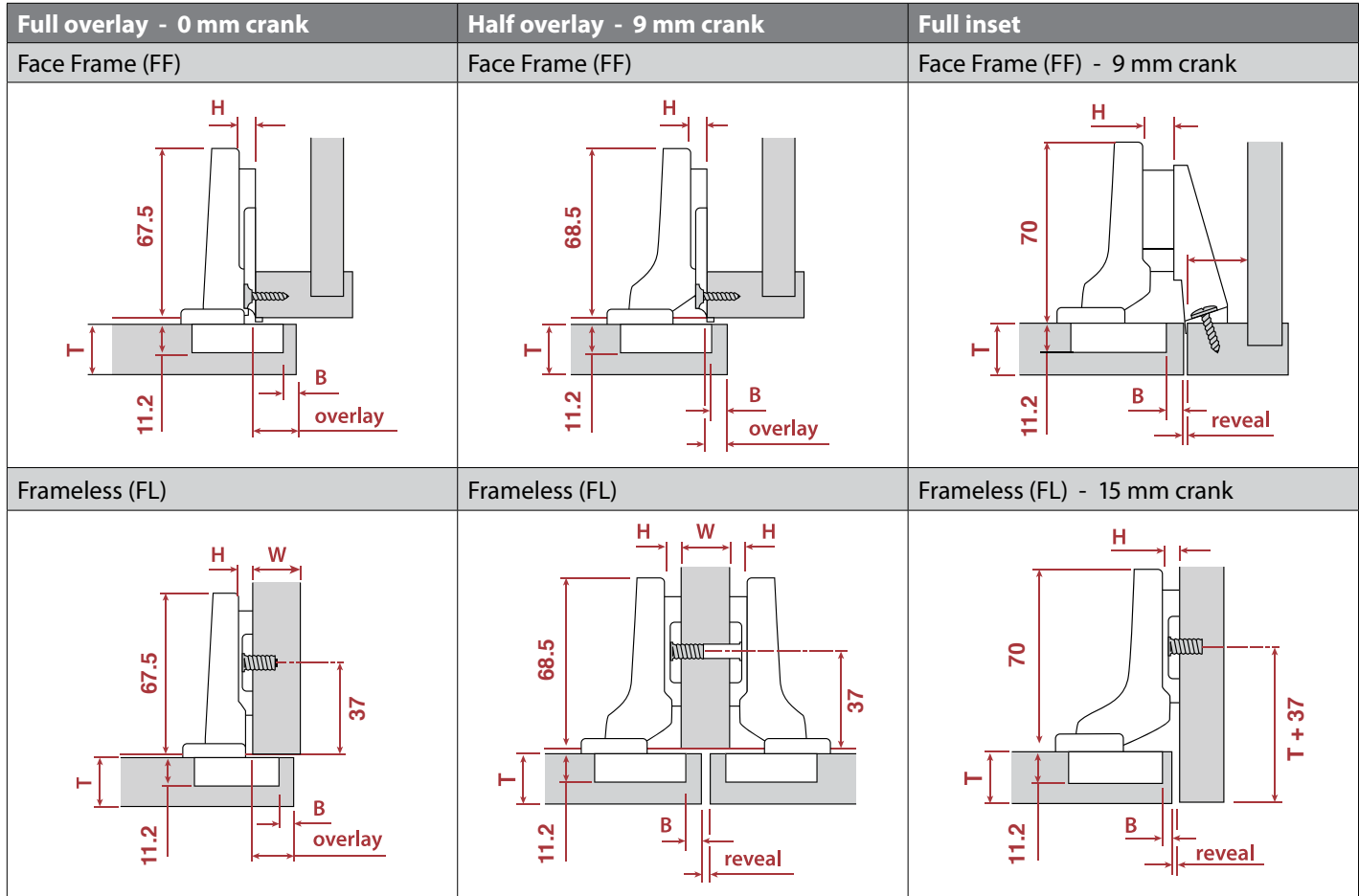
Full Overlay  
0 mm Crank

**APPLICATION**

165° Hinges - Full Overlay	
	725.0M73.05 50/ctn
<i>Press-in 8 mm Dowels</i>	

	<b>90° Restrictor Clip</b>	700.RC 100 pcs/box*
*FULL BOX QUANTITIES ONLY		

### 110° Hinges



H	Type	Overlay					P	S
0	FL/FF	16	17	18	19	20	8	18.5
2	FL	14	15	16	17	18	10	20.5
3	FF	13	14	15	16	17	11	21.5
6	FF	10	11	12	13	14	14	24.5
9	FL/FF	7	8	9	10	11	17	27.5
		3	4	5	6	7	Fixed distance = 13	
		B = boring distance (Tab)						

H	Type	Overlay					P	S
0	FL/FF	6	7	8	9	10	17	28
		3	4	5	6	7	Fixed distance = 3	
		B = boring distance (Tab)						

H	Type	Reveal					P	S
0	FL/FF	3	2	1	-	-	26.0	37.5
9	FL/FF	0	-	-	-	-	24.0	33.0
		3	4	5	6	7	Fixed distance = -6	
		B = boring distance (Tab)						

H	Type	Reveal					W	P	S
0	FL/FF	4	2	-	-	-	16	17	28
		7	5	3	1	-	19		
		10	8	6	4	2	22		
		3	4	5	6	7	B = boring distance (Tab)		

Hinge Length	68.0
Mounting Dimension for Frameless Application*	37
Cup bore depth	11.2

Abbreviations	
H	= Plate height
P	= Door protrusion
S	= Side arm protrusion
T	= Door thickness
W	= Side panel width
FF	= Face frame
FL	= Frameless

\* Inset is "T+" (T=door thickness)

Subject to technical modifications without notice. Dimensions in millimeters (inch equivalents as noted).

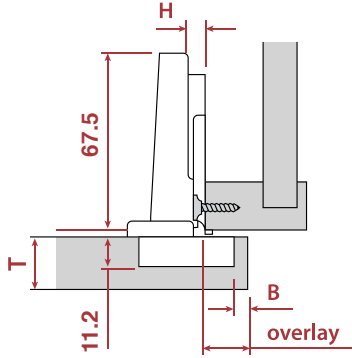
# Heavy-Duty European Hinges 725 Series

European Hinges

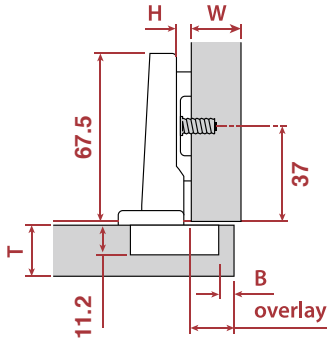
## 125° Hinges

Full overlay - 0 mm crank

Face Frame (FF)



Frameless (FL)



H	Type	Overlay					P	S
0	FL/FF	16	17	18	19	20	4	19.5
2	FL	14	15	16	17	18	6	21.5
3	FF	13	14	15	16	17	7	22.5
6	FF	10	11	12	13	14	10	25.5
9	FL/FF	7	8	9	10	11	13	28.5
		3	4	5	6	7	Fixed distance = 13	
		B = boring distance (Tab)						

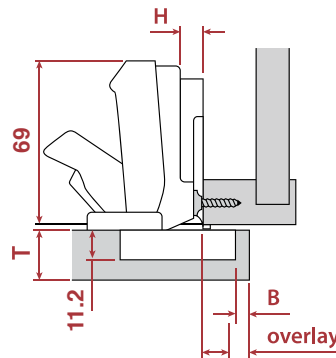
Hinge Length	68
Mounting Dimension for Frameless Application*	37
Cup bore depth	11.2

\* Inset is "T+" (T=door thickness)

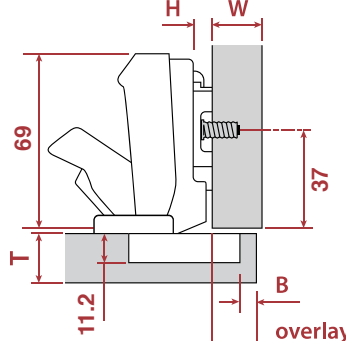
## 165° Hinges

Full overlay - 0 mm crank

Face Frame (FF)



Frameless (FL)

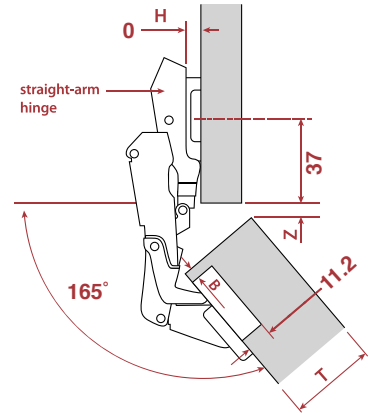


H	Type	Overlay					P	S
0	FL/FF	17	18	19	20	21	-4	58
2	FL	15	16	17	18	19	-2	60
3	FF	14	15	16	17	18	-1	61
6	FF	11	12	13	14	15	2	64
9	FL/FF	8	9	10	11	12	5	67
		3	4	5	6	7	Fixed distance = 14	
		B = boring distance (Tab)						

Hinge Length	69
Mounting Dimension for Frameless Application*	37
Cup bore depth	11.2

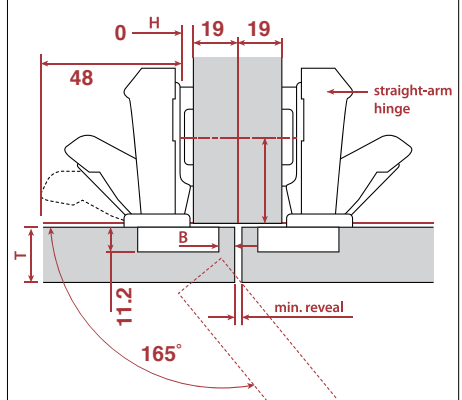
\* Inset is "T+" (T=door thickness)

Thick door application

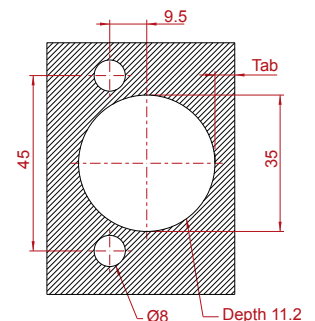


Z=Gap				
28	25	22	18	15
25	29	32	35	38
T = door thickness				

Twin door application













Minimum reveal table					S
0	0	0	14	17	66
19	22	25	29	32	
T = door thickness					



Subject to technical modifications without notice.  
Dimensions in millimeters (inch equivalents as noted).

# Mounting Plates

## For 1750, 725 and 700 Series Hinges

Frameless Cabinetry		0 mm	2 mm	9 mm
<b>Heavy-Duty Zinc Die Cast Cam Adjustable Plates</b>				
	<p><b>3-hole mounting for added stability and secure attachment</b>                      Material: Zinc die cast, nickel plated                      Preassembled with 6.3 mm x 15 mm Euro system screws                      Height adjustment: +/- 3 mm</p>	600.0P30.05 (screw adjust) 200/ctn	600.0P32.05 <sup>†</sup> (screw adjust) 200/ctn	
	<p><b>3-hole mounting for added stability and secure attachment</b>                      Material: Zinc die cast, nickel plated                      Use #6 x 5/8" flat head wood screws for attachment                      Height adjustment: +/- 3 mm</p>	600.0R30.05 (screw adjust) 200/ctn	600.0R32.05 <sup>†</sup> (screw adjust) 200/ctn	
	<p><b>Heavy-Duty</b>                      Material: Zinc die cast, nickel plated                      Preassembled with 6.3 mm x 15 mm Euro system screws                      Cam height adjustment: +/- 2 mm</p>	600.0P72.05 (cam adjust) 200/ctn	600.0P74.05 (cam adjust) 200/ctn	
	<p><b>Heavy-Duty</b>                      Material: Zinc die cast, nickel plated                      Sold without screws                      Use #6 x 5/8" flat head wood screws for attachment                      Cam height adjustment: +/- 2 mm</p>	600.0R23.05 (cam adjust) 200/ctn	600.0R25.05 (cam adjust) 200/ctn	600.0P29.05 (cam adjust) 200/ctn
<b>Standard-Duty Steel Cam Adjustable Plates</b>				
	<p>Material: Cold-rolled steel, nickel plated                      Preassembled with 6.3 mm x 15 mm Euro system screws                      Cam height adjustment: +/- 2 mm</p>	600.0P71.05 200/ctn	600.0P73.05 200/ctn	
	<p>Material: Cold-rolled steel, nickel plated                      Sold without screws                      Use #6 x 5/8" flat head wood screws for attachment                      Cam height adjustment: +/- 2 mm</p>	600.0R22.05 200/ctn	600.0R24.05 200/ctn	
<b>Standard-Duty Steel Non-Cam Adjustable Plates</b>				
	<p>Material: Cold-rolled steel, nickel plated                      Preassembled with 6.3 mm x 15 mm Euro system screws                      Height adjustment: +/- 3 mm</p>	600.0118.05 200/ctn	600.0119.05 200/ctn	
	<p>Material: Cold-rolled steel, nickel plated                      Sold without screws                      Use #6 x 5/8" flat head wood screws for attachment                      Height adjustment: +/- 3 mm</p>	600.1233.05 200/ctn	600.1234.05 200/ctn	
	<p><b>Dowels provide a stronger holding force for the hinge and plate</b>                      Material: Cold-rolled steel, nickel plated                      Preassembled with wood screws 5 mm expansion dowels                      Height adjustment: +/- 3 mm</p>	600.2118.05 200/ctn		
	<p><b>Used for back-to-back hinge installation in 19 mm material</b>                      Material: Cold-rolled steel, nickel plated                      Preassembled with 6.3 mm x 10 mm shortened Euro system screws                      Height adjustment: +/- 3 mm</p>	600.3118.05 200/ctn		



# Mounting Plates

## For 1750, 725 and 700 Series Hinges

European Hinges

### Face Frame Cabinetry

0 mm

3 mm

6 mm

9 mm

#### Heavy-Duty Zinc Die Cast Cam Adjustable Plates



Material: Zinc die cast, nickel plated  
 Sold without screws  
 Use #6 x 5/8" flat head wood screws for attachment  
 Cam height adjustment: +/- 3.5 mm

600.3553.65  
200/ctn

600.3554.65  
200/ctn

600.3555.65  
200/ctn



Material: Zinc die cast, nickel plated  
 Sold without screws  
 Use #6 x 5/8" flat head wood screws for attachment  
 Designed for inset applications using 9 mm crank hinges  
 Cam height adjustment: +/- 3.5 mm

600.3458.65  
200/ctn

#### Heavy-Duty Zinc Die Cast Non-Cam Adjustable Plates



Material: Zinc die cast, nickel plated  
 Sold without screws  
 Use #6 x 5/8" flat head wood screws for attachment  
 Height adjustment: +/- 3.5 mm

600.3453.65  
200/ctn

600.3454.65  
200/ctn

600.3455.65  
200/ctn



Material: Zinc die cast, nickel plated  
 Sold without screws  
 Use #6 x 5/8" flat head wood screws for attachment  
 Wrap around designed for MDF/plywood face frames  
 where 4 screws are needed to secure the plate and  
 prevent screw pull out  
 Height adjustment: +/- 3.5 mm

600.3459.65  
200/ctn

#### Standard-Duty Steel Non-Cam Adjustable Plates



Material: Stamped steel, nickel plated  
 Sold without screws  
 Use #6 x 5/8" flat head wood screws for attachment  
 Height adjustment: +/- 3.5 mm

600.3456.65  
200/ctn

600.3457.65  
200/ctn

# Hinge & Plate Selection Guide

## For 1750, 725 and 700 Series Hinges

Frameless Cabinetry										SC = Soft-Close
Full Overlay					Half Overlay					
Hinge / 0 Crank	Dowel	Adj	Plate / 0 mm	Mat.	Hinge / 9 Crank	Dowel	Adj	Plate / 0 mm	Mat.	
90° 1750.0161.25 SC	None	Cam	600.0R23.05 Cam	Zinc	110° 1750.0179.25 SC	Press-in	Cam	600.0R23.05 Cam	Zinc	
90° 700.0161.25 SC	Press-in	Cam	600.0P72.05 Cam/Euro	Zinc	110° 1750.0536.25 SC	None	Cam	600.0P72.05 Cam/Euro	Zinc	
110° 1750.0181.25 SC	Press-in	Cam	600.0P30.05 3-Hole	Zinc	110° 700.0179.25 SC	Press-in	Cam	600.0P30.05 3-Hole	Zinc	
110° 1750.0535.25 SC	None	Cam	600.0R30.05 3-Hole	Zinc	110° 700.0536.25 SC	None	Cam	600.0R30.05 3-Hole	Zinc	
110° 700.0181.25 SC	Press-in	Cam	600.0R22.05 Cam	Steel	110° 725.0179.25	Press-in	Cam	600.0R22.05 Cam	Steel	
110° 700.0535.25 SC	None	Cam	600.0P71.05 Cam/Euro	Steel	110° 725.0536.25	None	Cam	600.0P71.05 Cam/Euro	Steel	
110° 700.0171.25 SC	Press-In	Screw	600.0118.05 Euro	Steel				600.0118.05 Euro	Steel	
110° 700.0534.25 SC	None	Screw	600.3118.05 Euro	Steel				600.3118.05 Euro	Steel	
110° 725.0181.25	Press-in	Cam	600.1233.05	Steel				600.1233.05	Steel	
110° 725.0535.25	None	Cam	600.2118.05	Steel				600.2118.05	Steel	
110° 725.0171.25	Press-In	Screw								
110° 725.0534.25	None	Screw								
125° 700.0U84.05 SC	Press-in	Cam			<b>45 Degree</b>					
125° 700.0U86.05 SC	Easy-Fix	Cam			<b>Hinge / 18 Crank</b>	<b>Dowel</b>	<b>Adj</b>	<b>Plate/0 mm</b>	<b>Mat.</b>	
125° 700.0U94.05 SC	Lever	Cam			105° 700.0N20.05 SC	Press-in	Screw	600.0R23.05 Cam	Zinc	
125° 700.0U85.05 SC	None	Cam						600.0P72.05 Cam/Euro	Zinc	
125° 725.0U84.05	Press-in	Cam						600.0P30.05 3-Hole	Zinc	
125° 725.0U94.05	Lever	Cam						600.0R30.05 3-Hole	Zinc	
125° 725.0U85.05	None	Cam						600.0R22.05 Cam	Steel	
165° 700.0M73.05 SC	Press-in	Cam						600.0P71.05 Cam/Euro	Steel	
165° 725.0M73.05	Press-in	Cam						600.0118.05 Euro	Steel	
								600.3118.05 Euro	Steel	
								600.1233.05	Steel	
								600.2118.05	Steel	
<b>Inset</b>					<b>90 Degree Blind Corner (Inset application/no overlay)</b>					
<b>Hinge / 15 Crank</b>	<b>Dowel</b>	<b>Adj</b>	<b>Plate / 0 mm</b>	<b>Mat.</b>	<b>Hinge / 18 Crank</b>	<b>Dowel</b>	<b>Adj</b>	<b>Plate/0 mm</b>	<b>Mat.</b>	
110° 1750.0280.25 SC	Press-in	Cam	600.0R23.05 Cam	Zinc	105° 700.0N24.05 SC	Press-in	Screw	600.0R23.05 Cam	Zinc	
110° 1750.0537.25 SC	None	Cam	600.0P72.05 Cam/Euro	Zinc				600.0P72.05 Cam/Euro	Zinc	
110° 700.0280.25 SC	Press-in	Cam	600.0P30.05 3-Hole	Zinc				600.0P30.05 3-Hole	Zinc	
110° 700.0537.25 SC	None	Cam	600.3118.05 Euro	Steel				600.0R30.05 3-Hole	Zinc	
110° 725.0280.25	Press-in	Cam	600.0R22.05 Cam	Steel				600.0R22.05 Cam	Steel	
110° 725.0537.25	None	Cam	600.0P71.05 Cam/Euro	Steel				600.0P71.05 Cam/Euro	Steel	
			600.0118.05 Euro	Steel				600.0118.05 Euro	Steel	
			600.1233.05	Steel				600.3118.05 Euro	Steel	
			600.2118.05	Steel				600.1233.05	Steel	
								600.2118.05	Steel	

# Hinge & Plate Selection Guide

## For 1750, 725 and 700 Series Hinges

<i>Face Frame Cabinetry</i>										<i>SC = Soft-Close</i>
<i>3/4" Overlay</i>					<i>1/2" Overlay</i>					
<i>Hinge /0 Crank</i>	<i>Dowel</i>	<i>Adj</i>	<i>Plate /0 mm</i>	<i>Mat.</i>	<i>Hinge /0 Crank</i>	<i>Dowel</i>	<i>Adj</i>	<i>Plate /3 mm</i>	<i>Mat.</i>	
90° <b>700.0161.25</b> SC	Press-in	Cam	<b>600.3553.65</b> Cam	Zinc	90° <b>700.0161.25</b> SC	Press-in	Cam	<b>600.3554.65</b> Cam	Zinc	
110° <b>1750.0181.25</b> SC	Press-in	Cam	<b>600.3453.65</b>	Zinc	110° <b>1750.0181.25</b> SC	Press-in	Cam	<b>600.3459.65</b> Wrap Around	Zinc	
110° <b>1750.0535.25</b> SC	None	Cam	<b>600.3456.65</b>	Steel	110° <b>1750.0535.25</b> SC	None	Cam	<b>600.3454.65</b>	Zinc	
110° <b>700.0181.25</b> SC	Press-in	Cam			110° <b>700.0181.25</b> SC	Press-in	Cam	<b>600.3457.65</b>	Steel	
110° <b>700.0535.25</b> SC	None	Cam			110° <b>700.0535.25</b> SC	None	Cam			
110° <b>725.0181.25</b>	Press-in	Cam			110° <b>725.0181.25</b>	Press-in	Cam			
110° <b>725.0535.25</b>	None	Cam			110° <b>725.0535.25</b>	None	Cam			
110° <b>725.0171.25</b>	Press-in	Screw			110° <b>725.0171.25</b>	Press-in	Screw			
110° <b>725.0534.25</b>	None	Screw			110° <b>725.0534.25</b>	None	Screw			
125° <b>700.0U84.05</b> SC	Press-in	Cam			125° <b>700.0U84.05</b> SC	Press-in	Cam			
125° <b>700.0U86.05</b> SC	Easy-Fix	Cam			125° <b>700.0U86.05</b> SC	Easy-Fix	Cam			
125° <b>700.0U94.05</b> SC	Lever	Cam			125° <b>700.0U94.05</b> SC	Lever	Cam			
125° <b>700.0U85.05</b> SC	None	Cam			125° <b>700.0U85.05</b> SC	None	Cam			
125° <b>725.0U84.05</b>	Press-in	Cam			125° <b>725.0U84.05</b>	Press-in	Cam			
125° <b>725.0U94.05</b>	Lever	Cam			125° <b>725.0U94.05</b>	Lever	Cam			
125° <b>725.0U85.05</b>	None	Cam			125° <b>725.0U85.05</b>	None	Cam			
165° <b>700.0M73.05</b> SC	Press-in	Cam			165° <b>700.0M73.05</b> SC	Press-in	Cam			
165° <b>725.0M73.05</b>	Press-in	Cam			165° <b>725.0M73.05</b>	Press-in	Cam			
165° <b>725.0M73.05</b>	Press-in	Cam			165° <b>725.0M73.05</b>	Press-in	Cam			
<i>3/8" Overlay</i>					<i>Inset</i>					
<i>Hinge /9 Crank</i>	<i>Dowel</i>	<i>Adj</i>	<i>Plate /0 mm</i>	<i>Mat.</i>	<i>Hinge /9 Crank</i>	<i>Dowel</i>	<i>Adj</i>	<i>Plate /9 mm Inset</i>	<i>Mat.</i>	
110° <b>1750.0179.25</b> SC	Press-in	Cam	<b>600.3553.65</b> Cam	Zinc	110° <b>1750.0179.25</b> SC	Press-in	Cam	<b>600.3458.65</b> Cam	Zinc	
110° <b>1750.0536.25</b> SC	None	Cam	<b>600.3453.65</b>	Zinc	110° <b>1750.0536.25</b> SC	None	Cam			
110° <b>700.0179.25</b> SC	Press-in	Cam	<b>600.3456.65</b>	Steel	110° <b>700.0179.25</b> SC	Press-in	Cam			
110° <b>700.0536.25</b> SC	None	Cam			110° <b>700.0536.25</b> SC	None	Cam			
110° <b>725.0179.25</b>	Press-in	Cam			110° <b>725.0179.25</b>	Press-in	Cam			
110° <b>725.0536.25</b>	None	Cam			110° <b>725.0536.25</b>	None	Cam			

# Standard-Duty European Hinges 500 Series

Hardware Resources' tried-and-true standard-duty European hinge provides the performance you need with a price you can't resist. It has proven reliability with nearly two decades of industry performance.



## Features

Grade 2 ANSI/BHMA certified to ANSI 50,000 cycles

## Specs

90°, 110°, 125°, and 170° opening angles  
 1-stop action  
 Hinge and plate provide 6-way adjustability  
 Cold-rolled steel with nickel plating  
 45 mm boring pattern  
 Compatible with 400 Series mounting plates (see pages 94-97)

### Opening Angle



### Application

Face frame  
Frameless

### Finish

  
Nickel Plating

### Adjustment

  
6 way

### Overlay

Full  
Half  
Inset

### Boring Hole Pattern

45 mm

### Material

  
Steel

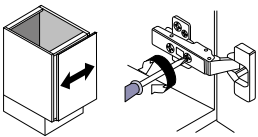
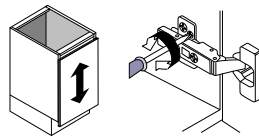
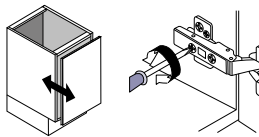
### Packaging

  
200/  
carton

### Certification

  
ANSI  
50,000+

## Three-dimensional door adjustment

Horizontal adjustment	Vertical adjustment	Depth adjustment
Rotate front screw to increase or decrease door overlay (+/-2 mm).	Rotate cam screw on mounting plate to adjust door position (+/-2 mm). On non-cam mounting plates, loosen screws, adjust door and retighten screws.	Rotate rear cam screw to adjust door position (+3 mm, -2 mm).
		

# Standard-Duty European Hinges 500 Series

European Hinges



Full Overlay  
0 mm Crank



Half Overlay  
9 mm Crank



Full Inset  
15 mm Crank

**APPLICATION**

**90° Hinges - Restricted**



Press-in  
8 mm Dowels

500.0161.75  
200/ctn

**110° Hinges**



No Dowels

500.0535.75  
(cam adjust)  
200/ctn

500.0534.75  
(screw adjust)  
200/ctn

500.0536.75  
200/ctn

500.0537.75  
200/ctn



Press-in  
8 mm Dowels

500.0181.75  
(cam adjust)  
200/ctn

500.0171.75  
(screw adjust)  
200/ctn

500.0179.75  
(cam adjust)  
200/ctn

500.0279.75  
(screw adjust)  
200/ctn

500.0280.75  
200/ctn



Easy-Fix  
Dowels

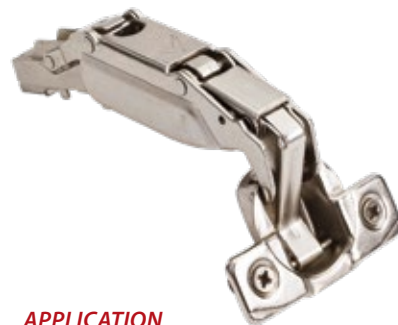
500.0186.75  
(cam adjust)  
200/ctn

**110° Free-Swinging Hinges (Non-self-closing)**



Press-in  
8 mm Dowels

500.0141.75  
(cam adjust)  
200/ctn



**APPLICATION**

Full Overlay  
0 mm Crank

**125° Hinges**



No Dowels

500.0U85.75  
200/ctn

**170° Hinges - Full Overlay**



Press-in  
8 mm Dowels

500.0U84.75  
200/ctn



Press-in  
8 mm Dowels

500.0M73.75  
50/ctn



Easy-Fix  
Dowels

500.0U86.75  
200/ctn

Hinges are cam adjustable unless otherwise noted.

See page 118-119 for Soft-Close Dampers



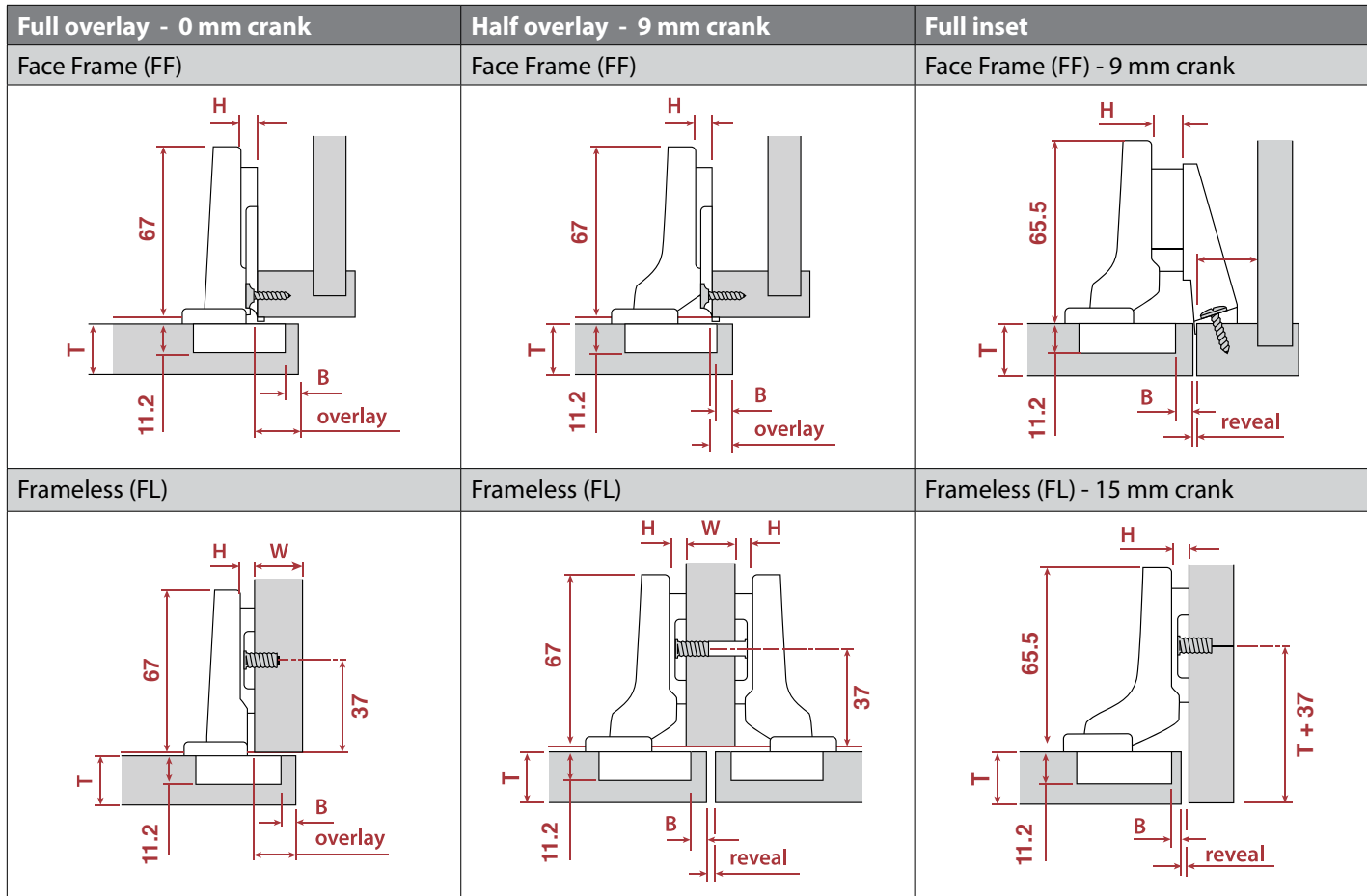
90° Restrictor Clip

575.RC  
100 pcs/box\*

\*FULL BOX QUANTITIES ONLY



### 90° & 110° Hinges



H	FL/FF	Overlay - 90°					P	S
0	FL/FF	14	15	16	17	18	4	19
3	FL/FF	11	12	13	14	15	7	22
6	FF	8	9	10	11	12	10	25
9	FL/FF	5	6	7	8	9	13	28
		3	4	5	6	7	Fixed distance = 11	
		B = boring distance (Tab)						

H	FL/FF	Overlay - 110°					P	S
0	FL/FF	15	16	17	18	19	5	18
3	FL/FF	12	13	14	15	16	8	21
6	FF	9	10	11	12	13	11	24
9	FL/FF	6	7	8	9	10	14	27
		3	4	5	6	7	Fixed distance = 12	
		B = boring distance (Tab)						

H	FL/FF	Overlay					P	S
0	FL/FF	5.5	6.5	7.5	8.5	9.5	14.5	27
		3	4	5	6	7	Fixed distance = 2.5	
		B = boring distance (Tab)						

H	FL/FF	Reveal					W	P	S
0	FL/FF	5	3	1	-1	-3	16		
		8	6	4	2	0	19	14.5	27
		11	9	7	5	3	22		
		3	4	5	6	7			
		B = boring distance (Tab)							

Hinge Length	67 (65.5 inset)
Mounting Dimension for Frameless Application*	38.5
Cup bore depth	11.2

H	FL/FF	Reveal					P	S
9	FL/FF	0	-	-	-	-	22	33.5
		3	4	5	6	7	Fixed distance = -5.5	
		B = boring distance (Tab)						

Abbreviations	
H	= Plate height
P	= Door protrusion
S	= Side arm protrusion
T	= Door thickness
W	= Side panel width
FF	= Face frame
FL	= Frameless

\* Inset is "T+" (T=door thickness)

Subject to technical modifications without notice. Dimensions in millimeters (inch equivalents as noted).

# Standard-Duty European Hinges 500 Series

European Hinges

## 110° Hinges Free-swinging

## 125° Hinges

Full overlay - 0 mm crank

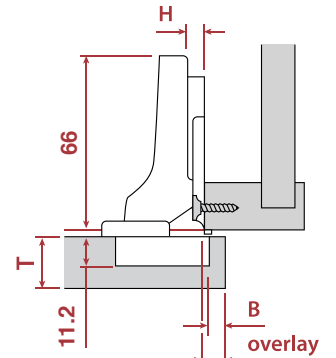
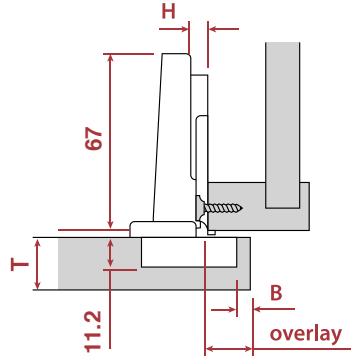
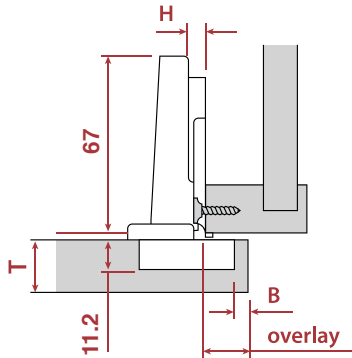
Full overlay - 0 mm crank

Half overlay - 9 mm crank

Face Frame (FF)

Face Frame (FF)

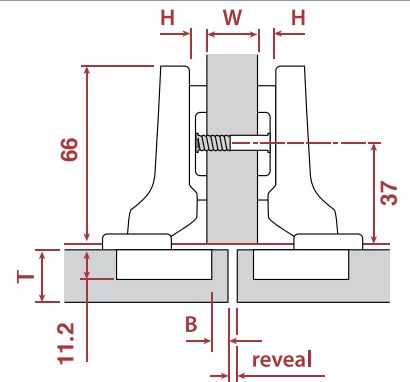
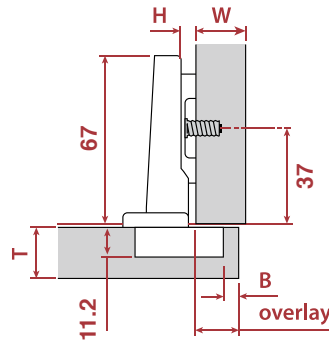
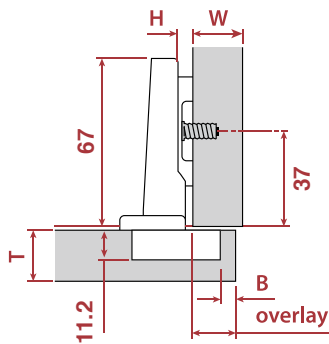
Face Frame (FF)



Frameless (FL)

Frameless (FL)

Frameless (FL)



H	FL/FF	Overlay						P	S
0	FL/FF	14	15	16	17	18	5.5	20	
3	FL/FF	11	12	13	14	15	8.5	23	
6	FF	8	9	10	11	12	11.5	26	
9	FL/FF	5	6	7	8	9	14.5	29	
		3	4	5	6	7	Fixed distance = 11		
		B = boring distance (Tab)							

H	FL/FF	Overlay							P	S
0	FL/FF	15	16	17	18	19	7.5	20		
3	FL/FF	12	13	14	15	16	10.5	23		
6	FF	9	10	11	12	13	13.5	26		
9	FL/FF	6	7	8	9	10	16.5	29		
		3	4	5	6	7	Fixed distance = 12			
		B = boring distance (Tab)								

H	FL/FF	Overlay							P	S
0	FL/FF	5	6	7	8	9	20.5	30		
		3	4	5	6	7	Fixed distance = 2			
		B = boring distance (Tab)								

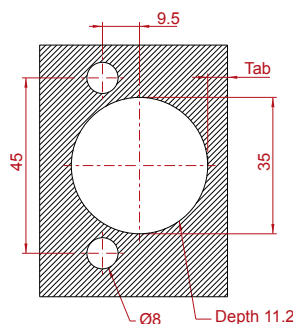
H	FL/FF	Reveal					W	P	S	
0	FL/FF	6	4	2	~	~	16	20.5	30	
		9	7	5	3	1	19			
		12	10	8	6	4	22			
		3	4	5	6	7				
		B = boring distance (Tab)								

Hinge Length	67
Mounting Dimension for Frameless Application*	38.5
Cup bore depth	11.2

Hinge Length	67 (66 partial)
Mounting Dimension for Frameless Application*	38.5
Cup bore depth	11.2

\* Inset is "T+" (T=door thickness)

Subject to technical modifications without notice.  
Dimensions in millimeters (inch equivalents as noted).

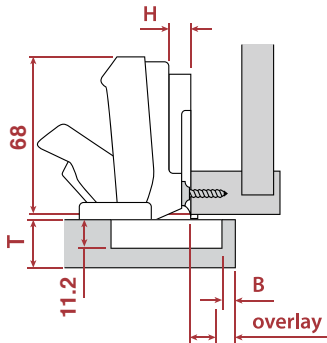


\* Inset is "T+" (T=door thickness)

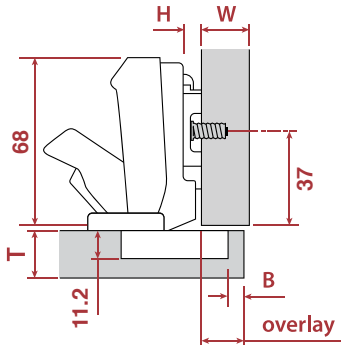
### 170° Hinges

#### Full overlay - 0 mm crank

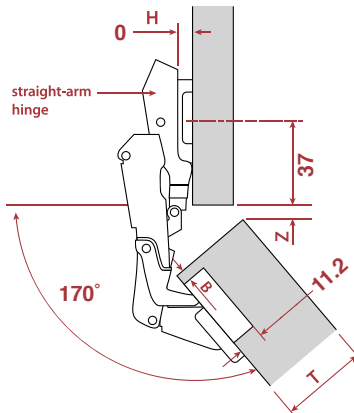
##### Face Frame (FF)



##### Frameless (FL)



#### Thick door application

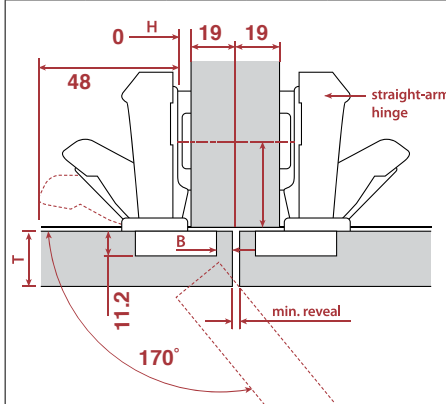


##### Z=Gap

23	20	17	14	11
25	29	32	35	38

T = door thickness

#### Twin door application



##### Minimum reveal table

Minimum reveal table						S
0	0	0	14	17	48	
19	22	25	29	32		

T = door thickness

H	FL/FF	Overlay					P	S
0	FL/FF	14	15	16	17	18	-8	53
3	FL/FF	11	12	13	14	15	-5	56
6	FF	8	9	10	11	12	-2	59
9	FL/FF	5	6	7	8	9	1	62
		3	4	5	6	7	Fixed distance = 11	

B = boring distance (Tab)

#### Abbreviations

H	= Plate height
P	= Door protrusion
S	= Side arm protrusion
T	= Door thickness
W	= Side panel width
FF	= Face frame
FL	= Frameless

Hinge Length	68
Mounting Dimension for Frameless Application*	37
Cup bore depth	11.2

\* Inset is "T+" (T=door thickness)

Subject to technical modifications without notice.  
Dimensions in millimeters (inch equivalents as noted).

# Slide and Hinge Installation Tool HR-TOOL-300

Functional  
Hardware



PATENT  
D824,741



## Ordering

Description	Part Number
Slide and Hinge Installation Tool	HR-TOOL-300

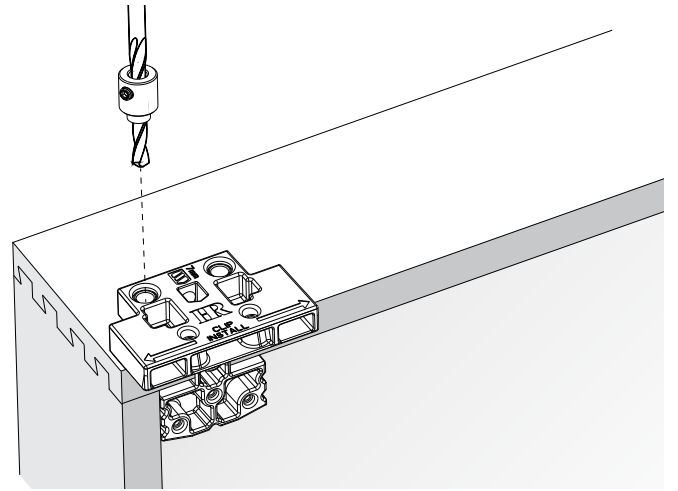


Scan for a video about  
how to use this tool  
[delivr.com/2pww8](https://delivr.com/2pww8)

### Each kit includes:

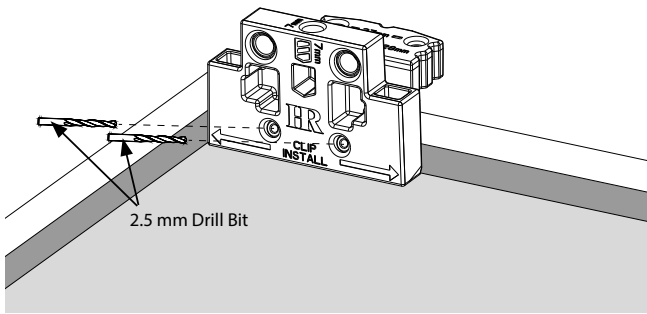
- Mounting Jig
- 7 mm Drill Bit
- Drill Bit Depth Collar
- Allen Wrench
- 2.5 mm Drill Bit

#### Drilling Location for Rear Hook Hole on Drawer Box; Left and Right

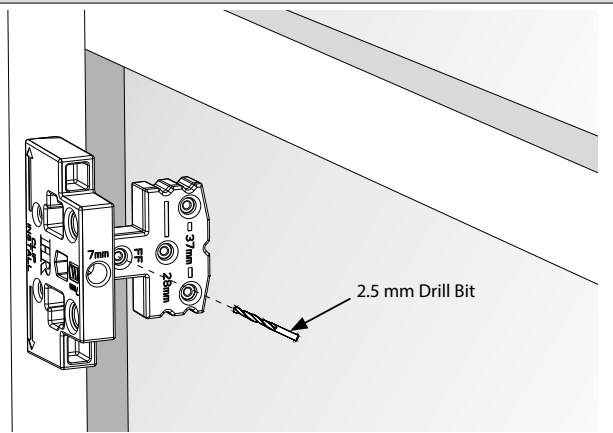


#### Drilling Location for Hardware Resources Undermount Slide Clip

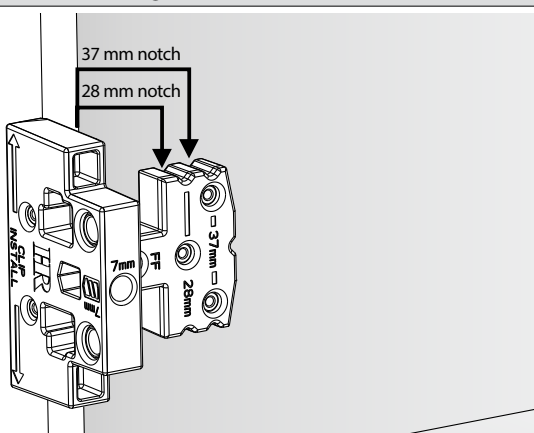
NOTE: Works with USCLIP500-2-xx and USECLIP2ND-xx clips.



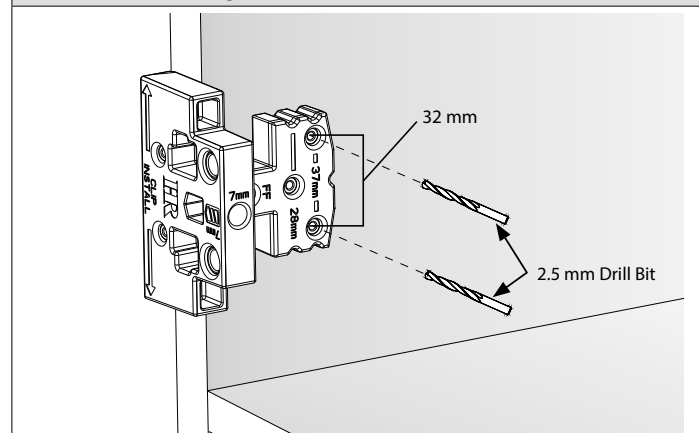
#### Drill Locations for Compact Hinge on Face Frame Cabinets













#### "V" Notches for Frameless Hinge Plate Holes at 28 mm and 37 mm Setback



#### Drill Locations for Hinge Plates in Frameless Cabinets with 37 mm Setback





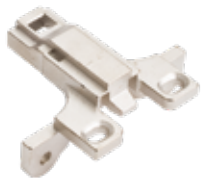

# Mounting Plates For 500 Series Hinges

Frameless Cabinetry		0 mm	3 mm	9 mm	18 mm
<b>Heavy-Duty Zinc Die Cast Cam Adjustable Plates</b>					
	<p><b>3-hole mounting for added stability and secure attachment</b>                      Material: Zinc die cast, nickel plated                      Use #6 x 5/8" flat head wood screws for attachment                      Height adjustment: +/- 3 mm</p>	400.0R30.75			
		200/ctn			
	<p>Material: Zinc die cast, nickel plated                      Preassembled with 6.3 mm x 15 mm Euro system screws                      Cam height adjustment: +/- 2 mm</p>	400.0P72.75	400.0P74.75		
		200/ctn	200/ctn		
	<p>Material: Zinc die cast, nickel plated                      Sold without screws                      Use #6 x 5/8" flat head wood screws for attachment                      Cam height adjustment: +/- 2 mm</p>	400.0R23.75	400.0R25.75		
		200/ctn	200/ctn		
<b>Heavy-Duty Zinc Die Cast Non-Cam Adjustable Plates</b>					
	<p>Material: Zinc die cast, nickel plated                      Preassembled with 6.3 mm x 15 mm Euro system screws                      Height adjustment: +/- 3 mm</p>			400.0P29.75	
				200/ctn	
	<p>Material: Zinc die cast, nickel plated                      Sold without screws                      Use #6 x 5/8" flat head wood screws for attachment                      Height adjustment: +/- 3 mm</p>				400.0P18.05
					200/ctn
<b>Standard-Duty Steel Cam Adjustable Plates</b>					
	<p>Material: Cold-rolled steel, nickel plated                      Preassembled with 6.3 mm x 15 mm Euro system screws                      Cam height adjustment: +/- 2 mm</p>	400.0P71.75	400.0P73.75		
		200/ctn	200/ctn		
	<p>Material: Cold-rolled steel, nickel plated                      Sold without screws                      Use #6 x 5/8" flat head wood screws for attachment                      Cam height adjustment: +/- 2 mm</p>	400.0R22.75	400.0R24.75		
		200/ctn	200/ctn		
<b>Standard-Duty Steel Non-Cam Adjustable Plates</b>					
	<p>Material: Cold-rolled steel, nickel plated                      Preassembled with 6.3 mm x 15 mm Euro system screws                      Height adjustment: +/- 3 mm</p>	400.0118.75	400.0119.75		
		200/ctn	200/ctn		
	<p>Material: Cold-rolled steel, nickel plated                      Sold without screws                      Use #6 x 5/8" flat head wood screws for attachment                      Height adjustment: +/- 3 mm</p>	400.1233.75	400.1234.75		
		200/ctn	200/ctn		
	<p><b>Dowels provide a stronger holding force for the hinge and plate</b>                      Material: Cold-rolled steel, nickel plated                      Preassembled with <b>wood screws and 5 mm expansion dowels</b>                      Height adjustment: +/- 3 mm</p>	400.2118.05			
		200/ctn			



# Mounting Plates For 500 Series Hinges

European  
Hinges

Face Frame Cabinetry		0 mm	3 mm	6 mm	9 mm
<b>Heavy-Duty Zinc Die Cast Cam Adjustable Plates</b>					
	Material: Zinc die cast, nickel plated Sold without screws Use #6 x 5/8" flat head wood screws for attachment Cam height adjustment: +/- 3.5 mm	400.3723.75 200/ctn	400.3724.75 200/ctn		
	Material: Zinc die cast, nickel plated Sold without screws Use #8 x 3/4" pan head wood screws for attachment Designed for inset applications using 9 mm crank hinges Cam height adjustment: +/- 3.5 mm				400.3458.75 200/ctn
<b>Heavy-Duty Zinc Die Cast Non-Cam Adjustable Plates</b>					
	Material: Zinc die cast, nickel plated Sold without screws Use #6 x 5/8" flat head wood screws for attachment Height adjustment: +/- 3.5 mm	400.3453.75 200/ctn	400.3454.75 200/ctn	400.3455.75 200/ctn	
	Material: Zinc die cast, nickel plated Sold without screws Use #6 x 5/8" flat head wood screws for attachment Height adjustment: +/- 3.5 mm Recommended for 125° hinges	400.3713.75 200/ctn	400.3714.75 200/ctn	400.3715.75 200/ctn	
	Material: Zinc die cast, nickel plated Sold without screws Use #6 x 5/8" flat head wood screws for attachment Wrap around designed for MDF/plywood face frames where 4 screws are needed to secure the plate and prevent screw pull out Height adjustment: +/- 3.5 mm		400.3456.75 200/ctn		
<b>Heavy-Duty Zinc Die Cast Non-Cam Adjustable Plates for Cabinet Refacing</b>					
	Mounting holes on plate are indexed 1/4" away from face frame. This prevents mounting screws from penetrating the seam between the 1/4" reface material and the face frame. Material: Zinc die cast, nickel plated Sold without screws Use #6 x 5/8" flat head wood screws for attachment Height adjustment: +/- 3.5 mm	400.3553.75 200/ctn	400.3554.75 200/ctn		
<b>Standard-Duty Steel Non-Cam Adjustable Plates</b>					
	Material: Stamped steel, nickel plated Sold without screws Use #6 x 5/8" flat head wood screws for attachment Height adjustment: +/- 3.5 mm		400.3457.75 200/ctn		

# Hinge & Plate Selection Guide

## For 500 Series Hinges

Frameless Cabinetry										
Full Overlay					Half Overlay					
Hinge /0 Crank	Dowel	Adj	Plate /0 mm	Mat.	Hinge /9 Crank	Dowel	Adj	Plate /0 mm	Mat.	
90° <b>500.0161.75</b>	Press-in	Cam	<b>400.1233.75</b>	Steel	110° <b>500.0536.75</b>	None	Cam	<b>400.1233.75</b>	Steel	
110° <b>500.0534.75</b>	None	Screw	<b>400.0118.75</b> Euro	Steel	110° <b>500.0279.05</b>	Press-in	Screw	<b>400.0118.75</b> Euro	Steel	
110° <b>500.0535.75</b>	None	Cam	<b>400.0R22.75</b> Cam	Steel	110° <b>500.0179.75</b>	Press-in	Cam	<b>400.0R22.75</b> Cam	Steel	
110° <b>500.0171.75</b>	Press-in	Screw	<b>400.0R23.75</b> Cam	Zinc				<b>400.0R23.75</b> Cam	Zinc	
110° <b>500.0181.75</b>	Press-in	Cam	<b>400.0P72.75</b> Cam/Euro	Zinc				<b>400.0P72.75</b> Cam/Euro	Zinc	
110° <b>500.0186.75</b>	Easy-Fix	Cam	<b>400.0P71.75</b> Cam/Euro	Steel				<b>400.0P71.75</b> Cam/Euro	Steel	
110° <b>500.0141.75*</b>	Press-in	Cam	<b>400.3118.05</b> Short Screw	Zinc				<b>400.3118.05</b> Short Screw	Zinc	
125° <b>500.0U85.75</b>	None	Cam	<b>400.2118.05</b> Dowels	Steel				<b>400.2118.05</b> Dowels	Steel	
125° <b>500.0U84.75</b>	Press-in	Cam								
125° <b>500.0U86.75</b>	Easy-Fix	Cam								
170° <b>500.0M73.75</b>	Press-in	Screw								
<i>*500.0141.75 is free-swinging non-self-closing</i>										
Inset					45 Degree					
Hinge /15 Crank	Dowel	Adj	Plate /3 mm	Mat.	Hinge /18 Crank	Dowel	Adj	Plate/0 mm	Mat.	
110° <b>500.0537.75</b>	None	Screw	<b>400.1234.75</b>	Steel	105° <b>500.0N20.75</b>	Press-in	Screw	<b>400.1233.75</b>	Steel	
110° <b>500.0280.75</b>	Press-in	Screw	<b>400.0119.75</b> Euro	Steel				<b>400.0118.75</b> Euro	Steel	
			<b>400.0R24.75</b> Cam	Steel				<b>400.0R22.75</b> Cam	Steel	
			<b>400.0R25.75</b> Cam	Zinc				<b>400.0R23.75</b> Cam	Zinc	
			<b>400.0P73.75</b> Cam/Euro	Steel				<b>400.0P72.75</b> Cam/Euro	Zinc	
			<b>400.0P74.75</b> Cam/Euro	Zinc				<b>400.0P71.75</b> Cam/Euro	Steel	
			<b>400.0P32.05</b> 3-Hole	Zinc				<b>400.0R30.05</b> 3-Hole	Zinc	
								<b>400.2118.05</b> Dowels	Steel	
								<b>400.3118.05</b> Short Screw	Steel	
90 Degree Blind Corner (Inset application/no overlay)										
Hinge /18 Crank	Dowel	Adj	Plate/0 mm	Mat.						
105° <b>500.0N24.75</b>	Press-in	Screw	<b>400.1233.75</b>	Steel						
			<b>400.0118.75</b> Euro	Steel						
			<b>400.0R22.75</b> Cam	Steel						
			<b>400.0R23.75</b> Cam	Zinc						
			<b>400.0P72.75</b> Cam/Euro	Zinc						
			<b>400.0P71.75</b> Cam/Euro	Steel						
			<b>400.0P30.05</b> 3-Hole	Zinc						
			<b>400.0R30.05</b> 3-Hole	Zinc						

# Hinge & Plate Selection Guide

## For 500 Series Hinges

European Hinges

Face Frame Cabinetry									
3/4" Overlay					1/2" Overlay				
Hinge /0 Crank	Dowel	Adj	Plate /0 mm	Mat.	Hinge /0 Crank	Dowel	Adj	Plate /3 mm	Mat.
90° 500.0161.75	Press-in	Cam	400.3453.75	Zinc	90° 500.0161.75	Press-in	Cam	400.3454.75	Zinc
110° 500.0534.75	None	Screw	400.3713.75	Zinc	110° 500.0534.75	None	Screw	400.3717.75	Steel
110° 500.0535.75	None	Cam	400.3723.75 Cam	Zinc	110° 500.0535.75	None	Cam	400.3457.75	Steel
110° 500.0171.75	Press-in	Screw			110° 500.0171.75	Press-in	Screw	400.3456.75 Wrap Around	Zinc
110° 500.0181.75	Press-in	Cam			110° 500.0181.75	Press-in	Cam	400.3714.75	Zinc
110° 500.0186.75	Easy-Fix	Cam			110° 500.0186.75	Easy-Fix	Cam	400.3724.75 Cam	Zinc
110° 500.0141.75*	Press-in	Cam			110° 500.0141.75*	Press-in	Cam		
125° 500.0U85.75	None	Cam			125° 500.0U85.75	None	Cam		
125° 500.0U84.75	Press-in	Cam			125° 500.0U84.75	Press-in	Cam		
125° 500.0U86.75	Easy-Fix	Cam			125° 500.0U86.75	Easy-Fix	Cam		
170° 500.0M73.75	Press-in	Screw			170° 500.0M73.05	Press-in	Screw		
*500.0141.75 is free-swinging non-self-closing					*500.0141.75 is free-swinging non-self-closing				
3/8" Overlay					Inset				
Hinge /9 Crank	Dowel	Adj	Plate /0 mm	Mat.	Hinge /9 Crank	Dowel	Adj	Plate /9 mm Inset	Mat.
110° 500.0536.75	None	Cam	400.3453.75	Zinc	110° 500.0536.75	None	Cam	400.3458.65 Cam	Zinc
110° 500.0179.75	Press-in	Cam	400.3723.75 Cam	Zinc	110° 500.0279.75	Press-in	Screw		
					110° 500.0179.75	Press-in	Cam		
1/4" Overlay					Pie Corner				
Hinge /9 Crank	Dowel	Adj	Plate/3 mm	Mat.	Hinge /18 Crank	Dowel	Adj	Plate /0 mm	Mat.
110° 500.0536.75	None	Cam	400.3454.75	Zinc	105° 500.0U22.75	Press-in	Screw	400.1233.75	Steel
110° 500.0279.75	Press-in	Screw	400.3717.65	Steel				400.0R22.75 Cam	Steel
110° 500.0179.75	Press-in	Cam	400.3456.75 Wrap Around	Zinc				400.0R23.75 Cam	Zinc
			400.3714.75	Zinc					
			400.3724.75 Cam	Zinc					
			400.3457.65	Steel					

# 45° Corner Overlay 700 Series Soft-Close Hinge

Soft-close heavy-duty hinge designed for 45° inside corner and overlay applications.



**APPLICATION**

*Inside Corner  
18 mm Crank*



*Press-in  
8 mm Dowels*

*Soft-Close  
700.0N20.05  
100/ctn*

## Specs

105° opening angle

1-stop action

Hinge and plate provide 6-way adjustability

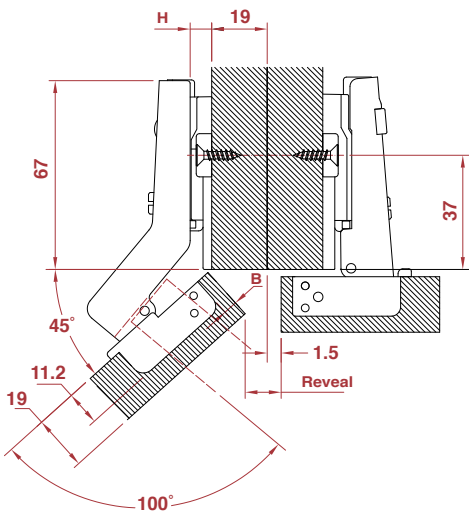
Cold-rolled steel with nickel plating

45 mm boring pattern

Recommended for use with 600 Series 0 mm plates

**Inside corner - 18 mm crank**

Frameless (FL)



H	Overlay					P	S
0	3	4	5	6	7	10.5	30
	3	4	5	6	7	Fixed distance = 0	
	B = boring distance (Tab)						

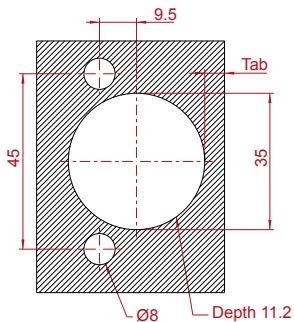
H	Inside Corner				P	S
0	4	3	2	1	10.5	30
	3	4	5	6		
	B = boring distance (Tab)					
NOTE: Reveal based on 19(3/4") side panel						

H	Y = Gap			
0	3.5	2.5	1.5	0.5
	3	4	5	6
	B = boring distance (Tab)			
NOTE: Reveal based on 19(3/4") side panel				

Hinge Length	67
Mounting Dimension for Frameless Application*	37
Cup bore depth	11.2

Abbreviations	
H	= Plate height
P	= Door protrusion
S	= Side arm protrusion

Subject to technical modifications without notice. Dimensions in millimeters (inch equivalents as noted).



**Application**

Face frame  
Frameless

**Opening Angle**

105°

**Finish**

Nickel Plating

**Adjustment**

6 way

**Overlay**

Corner Overlay

**Boring Hole Pattern**

45 mm

**Material**

Steel

**Packaging**

100/ carton

# 45° Corner Overlay 500 Series Hinge

Specialty  
Hinges

Self-close standard-duty hinge designed for 45° inside corner and overlay applications.



Inside Corner  
18 mm Crank

APPLICATION



Press-in  
8 mm Dowels

500.0N20.75  
100/ctn



Open Position



Closed Position

## Specs

105° opening angle

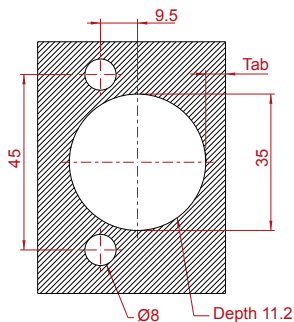
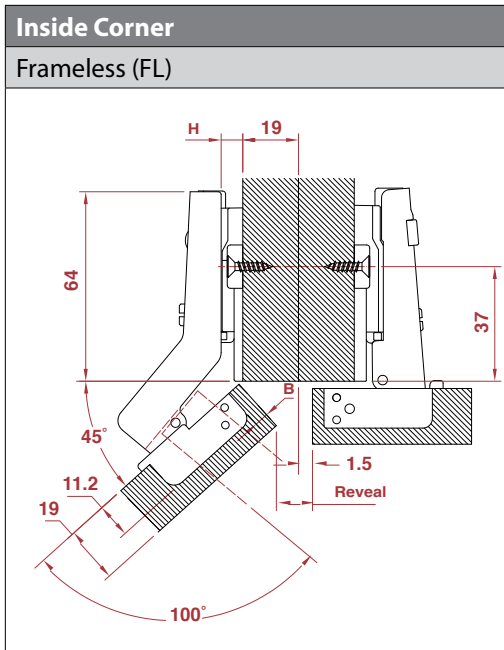
1-stop action

Hinge and plate  
provide 6-way  
adjustability

Cold-rolled steel with  
nickel plating

45 mm boring pattern

Recommended for  
use with 400 Series  
0 mm plates



H	Overlay					P	S
0	-2	-1	0	1	2	14	38
	3	4	5	6	7	Fixed distance = -5	
	B = boring distance (Tab)						

H	Inside Corner				P	S
0	8.5	7.5	6.5	5.5	14	38
	3	4	5	6		
	B = boring distance (Tab)					
NOTE: Reveal based on 19(3/4") side panel						

H	Y = Gap			
0	8	7	6	5
	3	4	5	6
	B = boring distance (Tab)			
NOTE: Reveal based on 19(3/4") side panel				

Hinge Length	64
Mounting Dimension for Frameless Application*	37
Cup bore depth	11.2

Abbreviations	
H	= Plate height
P	= Door protrusion
S	= Side arm protrusion

Subject to technical modifications without notice.  
Dimensions in millimeters (inch equivalents as noted).

Application

Face frame  
Frameless

Opening  
Angle

105°

Finish

Nickel  
Plating

Adjustment

6 way

Overlay

Corner  
Overlay

Boring  
Hole Pattern

45 mm

Material

Steel

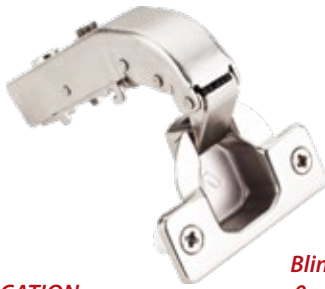
Packaging

100/  
carton



# 90° Blind Corner Inset 700 Series Soft-Close Hinge

Soft-close heavy-duty hinge designed for 90° blind corner inset applications.



**Blind Corner  
0 mm Crank**

**APPLICATION**

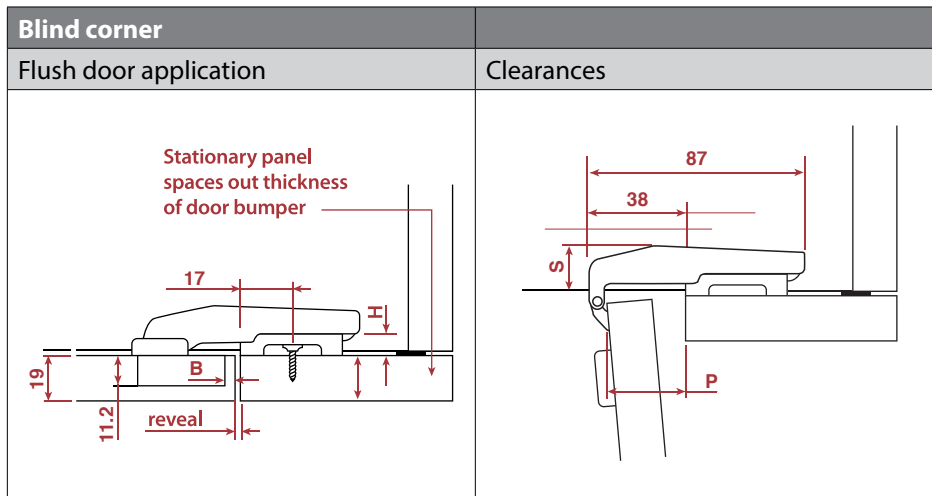


**Press-in  
8 mm Dowels**

**Soft-Close  
700.0N24.05  
200/ctn**

## Specs

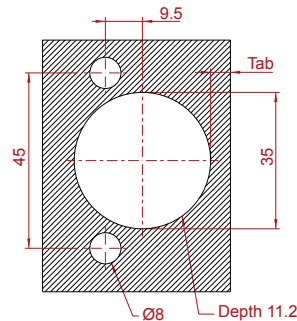
- 105° opening angle
- 1-stop action
- Hinge and plate provide 6-way adjustability
- Cold-rolled steel with nickel plating
- 45 mm boring pattern
- Recommended for use with 600 Series 0 mm plates



H	Reveal					P	S
0	4	3	2	1	0	24.5	22.0
	3	4	5	6	7		FD
	B = boring distance (Tab)						-7

Hinge Length	88.0
Cup bore depth	11.2

Abbreviations	
H	= Plate height
P	= Door protrusion
S	= Side arm protrusion
T	= Door thickness
W	= Side panel width



<b>Application</b>	<b>Opening Angle</b>
Face frame Frameless	105°
<b>Finish</b>	<b>Adjustment</b>
Nickel Plating	6 way
<b>Inset</b>	<b>Boring Hole Pattern</b>
Blind Corner	45 mm
<b>Material</b>	<b>Packaging</b>
Steel	200/ carton

# 90° Blind Corner Inset 500 Series Hinge

Specialty  
Hinges

Self-close standard-duty hinge designed for 90° blind corner inset applications.



Blind Corner  
0 mm Crank

**APPLICATION**



Press-in  
8 mm Dowels

500.0N24.75  
200/ctn



Open Position

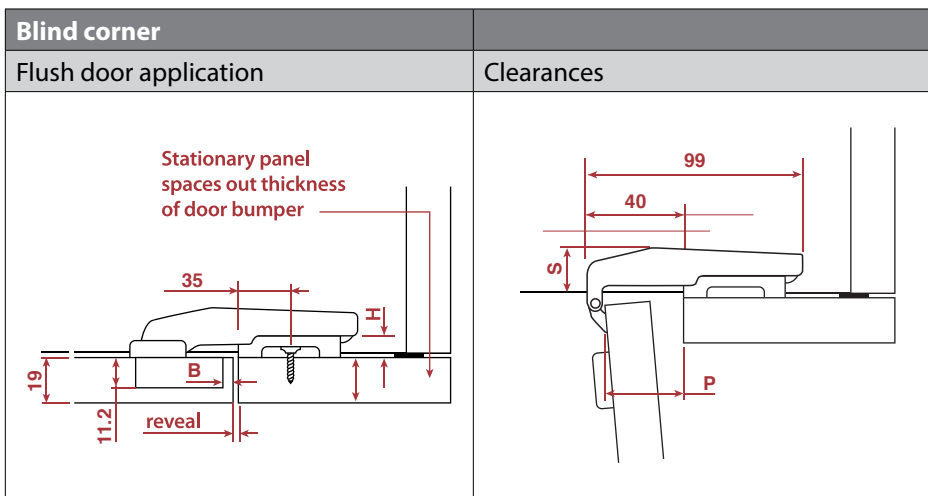


Closed Position

**Specs**

105° opening angle  
1-stop action  
Hinge and plate  
provide 6-way  
adjustability

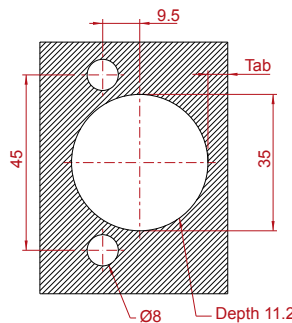
Cold-rolled steel with  
nickel plating  
45 mm boring pattern  
Recommended for  
use with 400 Series  
0 mm plates



H	Reveal					P	S
0	6	5	4	3	2	28.0	21.0
	3	4	5	6	7	FD	
	B = boring distance (Tab)						-9

Hinge Length	102.0
Cup bore depth	11.2

Abbreviations	
H	= Plate height
P	= Door protrusion
S	= Side arm protrusion
T	= Door thickness
W	= Side panel width



<p><b>Application</b></p> <p>Face frame Frameless</p>	<p><b>Opening Angle</b></p> <p>105°</p>
<p><b>Finish</b></p> <p>Nickel Plating</p>	<p><b>Adjustment</b></p> <p>6 way</p>
<p><b>Inset</b></p> <p>Blind Corner</p>	<p><b>Boring Hole Pattern</b></p> <p>45 mm</p>
<p><b>Material</b></p> <p>Steel</p>	<p><b>Packaging</b></p> <p>200/ carton</p>

# 105° Pie Corner Hinge

## 500 Series Hinge

Self-close standard-duty hinge designed for connecting two doors in a corner cabinet with no need for a magnetic catch.



**APPLICATION**

*Pie Corner*  
18 mm Crank



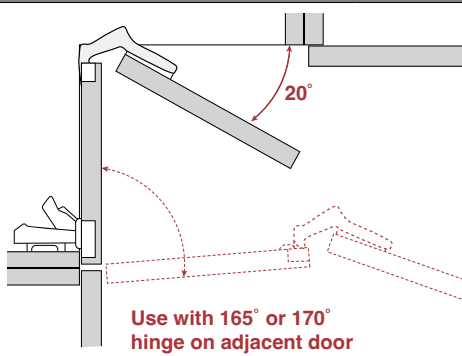
Press-in  
8 mm Dowels

500.0U22.75  
100/ctn

**Specs**

- 105° opening angle
- 1-stop action
- Use with 165° or 170° hinge on adjacent door
- Cold-rolled steel with nickel plating
- 45 mm boring pattern
- Hinge and plate provide 6-way adjustability
- Recommended for use with 400 Series 0 mm plates

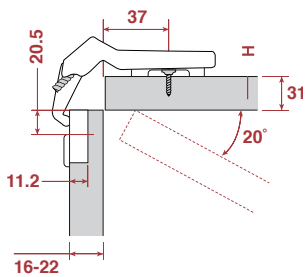
**Inside corner application**



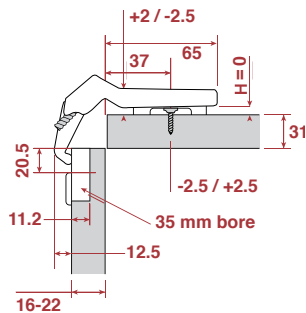
Abbreviations	
DW	= Door width
G	= Gap
H	= Plate height
IW	= Interior width
R	= Reveal
T	= Door thickness
W	= Side panel width



**With flat panel doors**

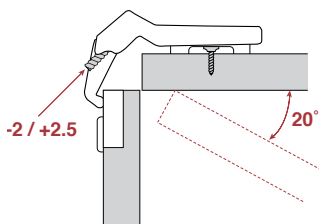


**General specifications**

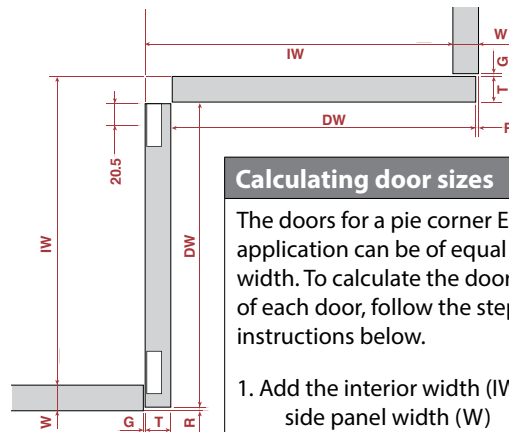
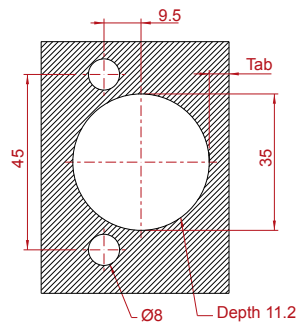


**Adjustment**

The cam adjustment of the pie corner European hinge allows for -2 / +2.5 mm adjustment



**Boring Pattern**



**Calculating door sizes**

The doors for a pie corner European hinge application can be of equal or unequal width. To calculate the door width (DW) of each door, follow the step-by-step instructions below.

1. Add the interior width (IW) to the side panel width (W)
2. Subtract door thickness (T) and reveal (R)
3. Subtract gap (G) behind adjacent door

**Formula:**  $DW = (IW + W) - T - R - G$

**Example:**  $DW = (500 + 19) - 19 - 3 - 1$   
 $DW = 496 \text{ mm}$

# 130° Pie-Cut Corner Hinge 22877 Series Hinge

Specialty  
Hinges

Specialty hinge designed for a pie-cut corner application; shallow profile does not interfere with lazy susans.

## Specs

130° opening angle  
Height adjustment  
Zinc die cast construction with nickel plating



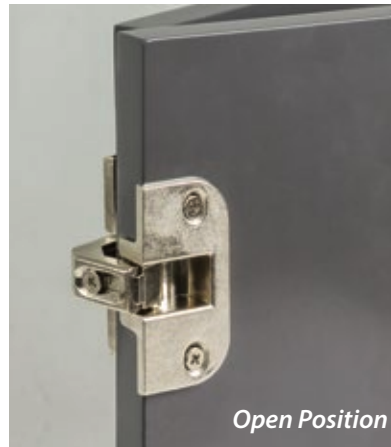
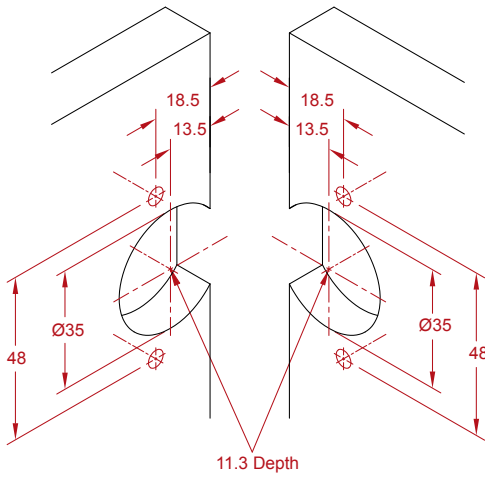
APPLICATION

Pie Corner



No Dowels

22877-000  
200/ctn



# Compact Hinges

Our complete family of compact hinges offers multiple options when it comes to face frame applications: 4-way and 6-way adjustability, soft-close and self-close, and a refacing option.

- **9390ADJ Series:** 105° Dura-Close® Compact Hinges with Adjustable Closing Speed
- **9390 Series:** 105° Dura-Close® Compact Soft-Close Hinges
- **8390 Series:** 105° Dura-Close® Compact Hinges
- **22855.SFT Series:** 105° Dual Pivot Compact Soft-Close Hinges
- **22855 Series:** 125° Dual Pivot Compact Hinges
- **3390 Series:** 105° Economical Compact Hinges





**Dura-Close® Compact Hinges with  
Adjustable Closing Speed  
9390ADJ Series**

[ 108 ]



**Dura-Close® Compact Soft-Close Hinges:  
9390 Series**

[ 110 ]



**Dura-Close® Compact Hinges:  
8390 Series**

[ 112 ]



**Dual Pivot Compact Soft-Close Hinges:  
22855.SFT Series**

[ 114 ]



**Dual Pivot Compact Hinges:  
22855 Series**

[ 115 ]



**Economical Compact Hinges:  
3390 Series**

[ 116 ]





# HR Series Comparison

## Compact Hinges



Series	<b>NEW 9390ADJ</b>	<b>9390</b>
<b>Category</b>	<b>Dura-Close® Adjustable Closing Speed</b>	<b>Dura-Close® Soft-Close</b>
<b>Grade 1 ANSI/BHMA Certified</b>	50,000+ Cycles	50,000+ Cycles
<b>Soft-Close</b>	✓ Adjustable Closing Speed	✓
<b>Glide Channel:</b> Reduces friction and noise	✓	✓
<b>Pivot Point:</b> Dual pivot point brings door closer to the cabinet, reducing door crack	<b>Single</b>	<b>Single</b>
<b>Opening Angle</b>	105°	105°
<b>Overlays Available</b>	1/2" & 1-1/4"	3/8"–1-1/2"



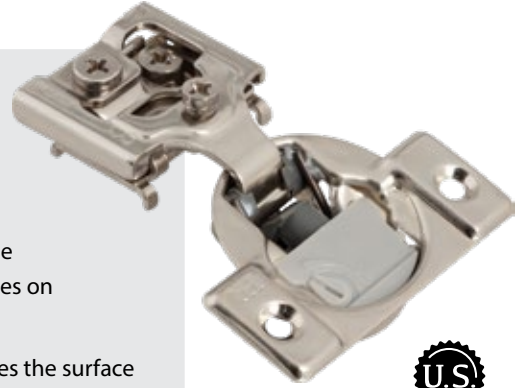
<b>22855.SFT</b>	<b>8390</b>	<b>22855</b>	<b>3390</b>
<b>Dual Pivot Point Soft-Close</b>	<b>Dura-Close® Self-Close</b>	<b>Dual Pivot Point Self-Close</b>	<b>Standard-Duty Self-Close</b>
50,000+ Cycles	50,000+ Cycles	50,000+ Cycles	50,000+ Cycles
✓			
	✓		
<b>Dual</b>	<b>Single</b>	<b>Dual</b>	<b>Single</b>
<b>125°</b>	<b>105°</b>	<b>125°</b>	<b>105°</b>
<b>1/2"</b>	<b>3/8"-1-1/2"</b>	<b>1/2"</b>	<b>1/2"-1-1/2"</b>

# Dura-Close® Compact Hinges with Adjustable Closing Speed 9390ADJ Series

Match the closing speed of all doors regardless of size with the 9390ADJ hinges. Now large doors and small doors can close at the same speed.

## Features

- 10 levels of soft-close speed adjustment ensure all door sizes will close at the same speed
- 100% steel constructed soft-close piston is stronger and more durable than competitors' plastic soft-close pistons
- Durable, yet quiet glide channels allow the hinge to operate with less friction and noise when compared to spring sleeves on previous models (Less friction = extended hinge life)
- Re-engineered hinge-to-cabinet mounting surface increases the surface area where the hinge contacts the cabinet; this keeps the hinge in place without damaging the face frame
- Grade 2 ANSI/BHMA certified to 50,000 cycles
- 2-cleat options available for face frame material over 3/4"
- One-piece compact assembly with vertical, horizontal, and depth cam adjustments



**U.S.**  
PATENT  
10,030,427





## Specs

- 6-way cam adjustment
- 105° opening angle (with 85° restrictor clip available)
- Cold-rolled steel with nickel plating
- Single pivot point
- 45 mm boring pattern
- Compatible with 9390 Series and 8390 Series hinges
- #7 x 5/8" pan washer head screw (7X0580WCQ) recommended

### Stronger 100% steel soft-close piston

Our new steel soft-close piston is manufactured to outlast competitors' plastic pistons

### 9390ADJ SERIES APPLICATION

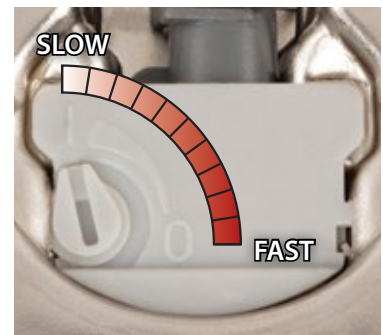
	1/2" Overlay	1-1/4" Overlay
 <i>No Dowels</i>	9390ADJ 200/ctn	—
 <i>Press-in 8 mm Dowels</i>	9390-2-000ADJ 200/ctn	9394-000ADJ 200/ctn

### Soft-close adjustment mechanism

Turn the dial to any of the 10 positions to adjust the closing speed of the door. We recommend using a 3/16" slotted screwdriver to adjust the soft-close.

Use this feature to easily match closing speeds across different door sizes.

- | = Strongest soft-close; slowest closing
- 0 = Soft-close off; fastest closing



Application	Opening Angle	Finish	Adjustment	Overlay	Boring Hole Pattern	Material	Packaging	Certification
Face frame	105°	Nickel Plating	6 way	1/2" & 1 1/4"	45 mm	Steel	200/carton	ANSI 50,000+

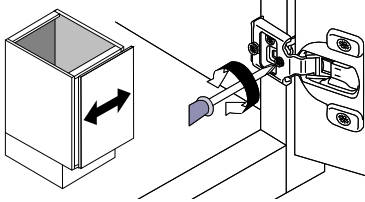
# Dura-Close® Compact Hinges with Adjustable Closing Speed 9390ADJ Series

Compact Hinges

## Three-dimensional door adjustment

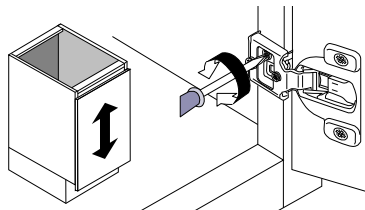
### Horizontal adjustment

Rotate front screw to increase or decrease door overlay.



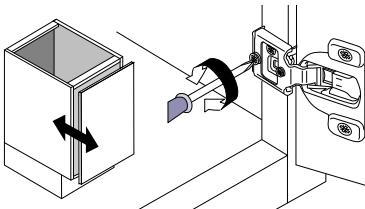
### Vertical adjustment

Rotate center cam screw to adjust door position.

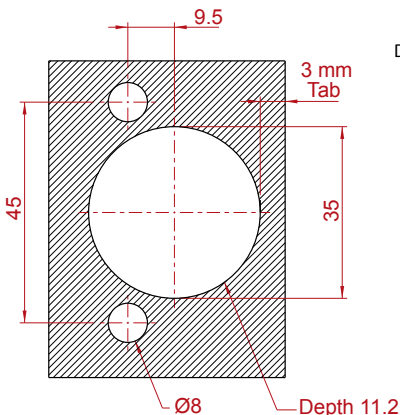


### Depth adjustment

Rotate rear cam screw to adjust door position.



	<b>85° Restrictor Clip</b>		<b>Insertion Ram</b>
	9390.RC		LARM7390



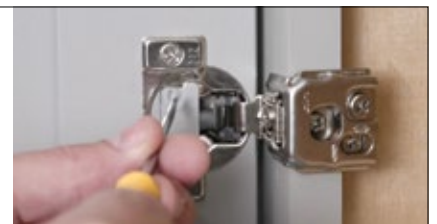
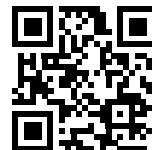
Subject to technical modifications without notice.  
Dimensions in millimeters (inch equivalents as noted).

	Boring Depth	Tab
9390ADJ Series	11.2 mm	3 mm

### Abbreviations

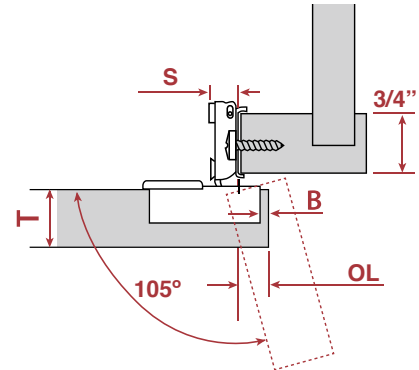
P	= Door protrusion
S	= Hinge arm protrusion
T	= Door thickness

To see the benefits of soft-close speed adjustment, scan the QR or visit [delivr.com/2q9hv](http://delivr.com/2q9hv)



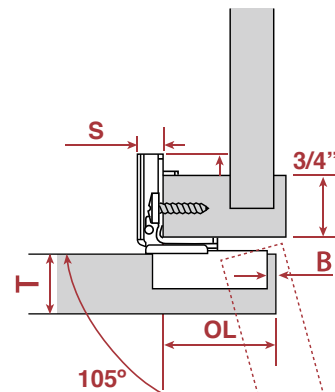
## 105° Hinges

### 1/2" Overlay



Part Number	Overlay	P	S
9390ADJ	13 mm (1/2")	6 mm (1/4")	13 mm (1/2")
9390-2-000ADJ	13 mm (1/2")	6 mm (1/4")	13 mm (1/2")
Boring distance = 3 mm		Minimum Reveal = 7 mm (9/32")	

### 1-1/4" Overlay



Part Number	Overlay	P	S
9394-000ADJ	32 mm (1-1/4")	0	9.5 mm (3/8")
Boring distance = 3 mm		Minimum Reveal = 7 mm (9/32")	



Hardware Resources' smoothest and longest-lasting soft-close hinge is perfect when quality and performance are a must.

**Features**

- 100% steel constructed soft-close piston is stronger and more durable than competitors' plastic soft-close pistons
- Durable, yet quiet glide channels allow the hinge to operate with less friction and noise when compared to spring sleeves on previous models (Less friction = extended hinge life)
- Re-engineered hinge-to-cabinet mounting surface increases the surface area where the hinge contacts the cabinet; this keeps the hinge in place without damaging the face frame
- Grade 2 ANSI/BHMA certified to 50,000 cycles
- 2-cleat options available for face frame material over 3/4"
- One-piece compact assembly with vertical, horizontal, and depth cam adjustments



**Specs**

- 105° opening angle (with 85° restrictor clip available)
- Single pivot point
- 6-way cam adjustment
- Cold-rolled steel with nickel plating
- 45 mm boring pattern
- Use with 8390 Series self-close hinges on lighter doors
- #7 x 5/8" pan washer head screw (7X0580WCQ) recommended



**Stronger 100% steel soft-close piston**



Our new steel soft-close piston is manufactured to outlast competitors' plastic pistons



**Reduced friction and noise**

New glide channels improves hinge durability and functionality



Application	Opening Angle	Finish	Adjustment	Overlay	Boring Hole Pattern	Material	Packaging	Certification	
Face frame	105°	Nickel Plating	6 way	3/8" - 1 1/2"	45 mm	Steel	200/carton	ANSI 50,000+	
<b>9390 SERIES APPLICATION</b>	<b>3/8" Overlay</b>	<b>7/16" Overlay</b>	<b>1/2" Overlay</b>	<b>5/8" Overlay</b>	<b>3/4" Overlay</b>	<b>1" Overlay</b>	<b>1-1/4" Overlay</b>	<b>1-3/8" Overlay</b>	<b>1-1/2" Overlay</b>
	—	—	9390 200/ctn	—	—	—	—	—	
	9390-038 200/ctn	9390-716 200/ctn	9390-2-000 200/ctn	9390-058 200/ctn	9390-6-000 200/ctn	9391-000 200/ctn	9394-000 200/ctn	9393-000 200/ctn	9392-000 200/ctn
			9390-2-2C* 200/ctn				9394-2C* 200/ctn		

\*2C = 2-Cleat Hinge

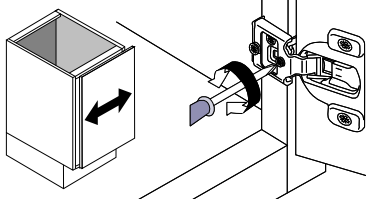
# Dura-Close® Compact Soft-Close Hinges 9390 Series

Compact Hinges

## Three-dimensional door adjustment

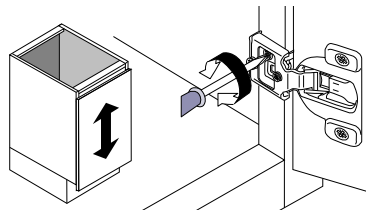
### Horizontal adjustment

Rotate front screw to increase or decrease door overlay.



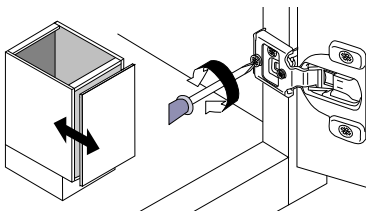
### Vertical adjustment

Rotate center cam screw to adjust door position.

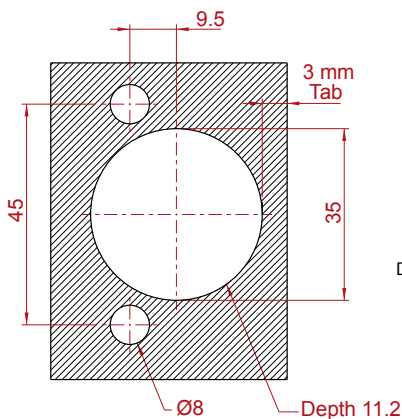


### Depth adjustment

Rotate rear cam screw to adjust door position.



	<b>85° Restrictor Clip</b> 9390.RC		<b>Insertion Ram</b> LARM7390
---	---------------------------------------	---	----------------------------------

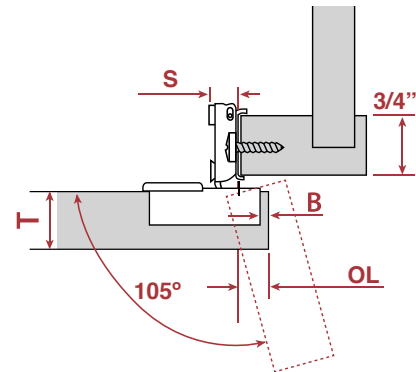


Subject to technical modifications without notice.  
Dimensions in millimeters (inch equivalents as noted).

	Boring Depth	Tab
9390 Series	11.2 mm	3 mm

## 105° Hinges

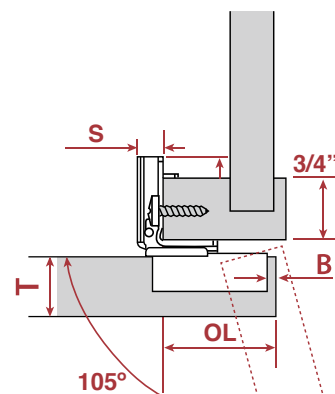
### 3/8" to 1" Overlay



Part Number	Overlay	P	S
9390-038	9.5 mm (3/8")	8 mm (5/16")	13 mm (1/2")
9390-716	11 mm (7/16")	8 mm (5/16")	13 mm (1/2")
9390	13 mm (1/2")	6 mm (1/4")	13 mm (1/2")
9390-2-000	13 mm (1/2")	6 mm (1/4")	13 mm (1/2")
9390-058	16 mm (5/8")	0	13 mm (1/2")
9390-6-000	19 mm (3/4")	0	13 mm (1/2")
9391-000	25.4 mm (1")	0	9.5 mm (3/8")

Boring distance = 3 mm      Minimum Reveal = 7 mm (9/32")

### 1-1/4" to 1-1/2" Overlay



Part Number	Overlay	P	S
9394-000	32 mm (1-1/4")	0	9.5 mm (3/8")
9393-000	35 mm (1-3/8")	0	9.5 mm (3/8")
9392-000	38 mm (1-1/2")	0	9.5 mm (3/8")

Boring distance = 3 mm      Minimum Reveal = 7 mm (9/32")

### Abbreviations

P	= Door protrusion
S	= Hinge arm protrusion
T	= Door thickness



# Dura-Close® Compact Hinges

## 8390 Series

When performance and customer satisfaction are a must, choose the quality of our 8390 Series self-close hinges.

### Features

Durable, yet quiet glide channels allow the hinge to operate with less friction and noise when compared to spring sleeves on previous models (Less friction = extended hinge life)

Re-engineered hinge-to-cabinet mounting surface increases the surface area where the hinge contacts the cabinet; this keeps the hinge in place without damaging the face frame

Grade 2 ANSI/BHMA certified to 50,000 cycles

2-cleat options available for face frame material over 3/4"

One-piece compact assembly with vertical screw adjustment and horizontal and depth cam adjustment



### Specs

105° opening angle (with 85° restrictor clip available)

Single pivot point

6-way cam adjustment

Cold-rolled steel with nickel plating

45 mm boring pattern

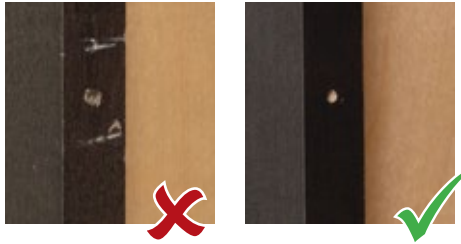
Use with 9390 Series self-close hinges on lighter doors

#7 x 5/8" pan washer head screw (7X0580WCQ) recommended



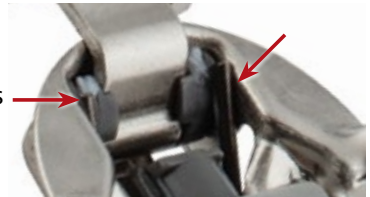
### Mark-free removal

Better contact surface allows for repeated removal without damage to the cabinet surface





### Reduced friction and noise

New glide channels improves hinge durability and functionality



Application	Opening Angle	Finish	Adjustment	Overlay	Boring Hole Pattern	Material	Packaging	Certification
Face frame	105°	Nickel Plating	6 way	3/8" - 1 1/2"	45 mm	Steel	200/ carton	ANSI 50,000+

8390 SERIES APPLICATION	3/8" Overlay	7/16" Overlay	1/2" Overlay	5/8" Overlay	3/4" Overlay	1-1/4" Overlay	1-3/8" Overlay	1-1/2" Overlay
 No Dowels	—	—	8390 200/ctn	—	—	—	—	—
 Press-in 8 mm Dowels	8390-038 200/ctn	8390-716 200/ctn	8390-2-000 200/ctn	8390-058 200/ctn	8390-6-000 200/ctn	8394-000 200/ctn	8393-000 200/ctn	8392-000 200/ctn
			8390-2-2C* 200/ctn			8394-2C* 200/ctn		

\*2C = 2-Cleat Hinge

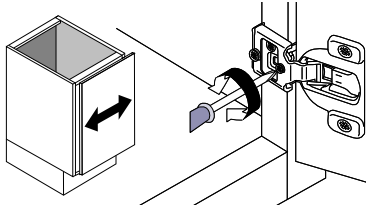
# Dura-Close® Compact Hinges 8390 Series

Compact Hinges

## Three-dimensional door adjustment

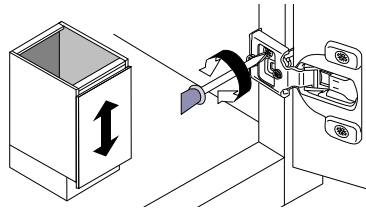
### Horizontal adjustment

Rotate front screw to increase or decrease door overlay.



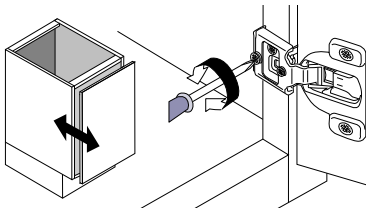
### Vertical adjustment

Rotate center cam screw to adjust door position.



### Depth adjustment

Rotate rear cam screw to adjust door position.



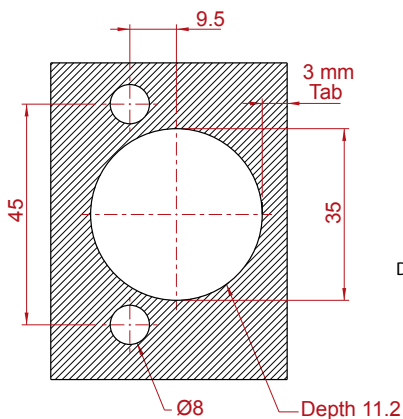
**85° Restrictor  
Clip**

9390.RC



**Insertion  
Ram**

LARM7390

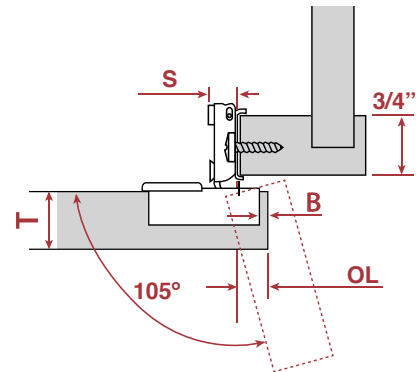


Subject to technical modifications without notice.  
Dimensions in millimeters (inch equivalents as noted).

	Boring Depth	Tab
8390 Series	11.2 mm	3 mm

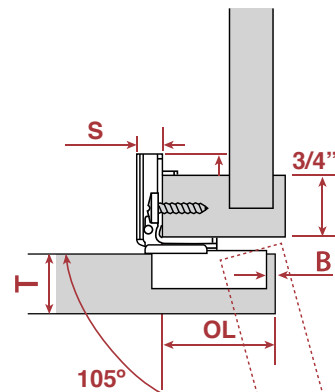
## 105° Hinges

### 3/8" to 1" Overlay



Part Number	Overlay	P	S
8390-038	9.5 mm (3/8")	8 mm (5/16")	13 mm (1/2")
8390-716	11 mm (7/16")	8 mm (5/16")	13 mm (1/2")
8390	13 mm (1/2")	6 mm (1/4")	13 mm (1/2")
8390-2-000	13 mm (1/2")	6 mm (1/4")	13 mm (1/2")
8390-058	16 mm (5/8")	0	13 mm (1/2")
8390-6-000	19 mm (3/4")	0	13 mm (1/2")
Boring distance = 3 mm		Minimum Reveal = 7 mm (9/32")	

### 1-1/4" to 1-1/2" Overlay



Part Number	Overlay	P	S
8394-000	32 mm (1-1/4")	0	9.5 mm (3/8")
8393-000	35 mm (1-3/8")	0	9.5 mm (3/8")
8392-000	38 mm (1-1/2")	0	9.5 mm (3/8")
Boring distance = 3 mm		Minimum Reveal = 7 mm (9/32")	

### Abbreviations

P	= Door protrusion
S	= Hinge arm protrusion
T	= Door thickness

# Compact Soft-Close Hinges

## 22855.SFT Series

This hybrid compact soft-close hinge combines a hidden steel damper and the dual pivot point of a European hinge. This design creates a tighter gap between the door and cabinet while retaining the compact size and convenience of a compact hinge.

### Features

- Die cast face frame plate securely grasps the frame and provides two attachment points
- Grade 2 ANSI/BHMA certified to ANSI 50,000 cycles
- Built-in soft-close damper is concealed
- One-piece compact assembly with vertical screw adjustment and horizontal and depth cam adjustment

### Specs

- 105° opening angle
- Dual pivot point
- 6-way adjustability
- Cold-rolled steel with nickel plating
- 45 mm boring pattern
- #7 x 5/8" pan head washer screw (7X0580WCQ) recommended



### APPLICATION



**No Dowels**

**1/2" Overlay with Cam Adj Plate**

22855-10SFT  
(cam adjust)  
200/ctn



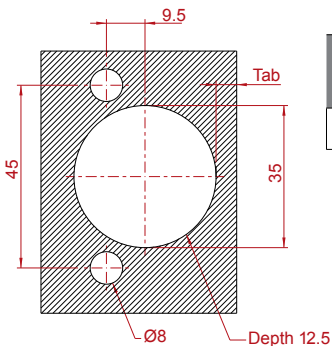
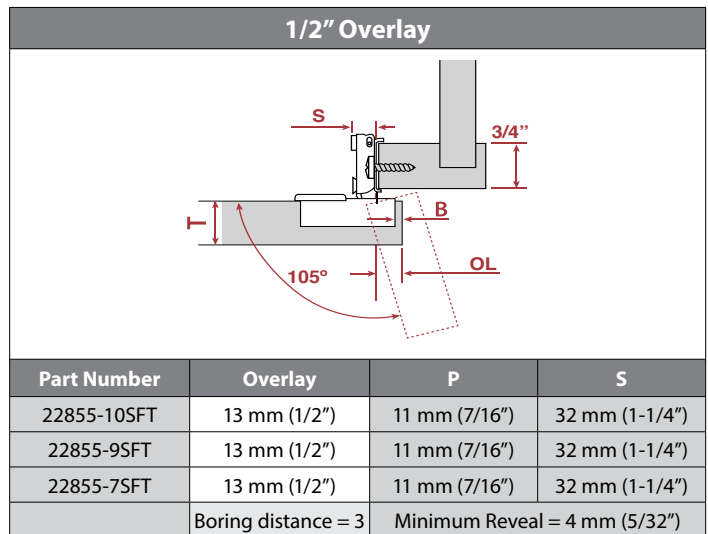
**Press-in 8 mm Dowels**

22855-9SFT  
(cam adjust)  
200/ctn



**Press-in 8 mm Dowels**

22855-7SFT  
(non-cam adjust)  
200/ctn



Application	Opening Angle	Finish	Adjustment
Face frame	105°	Nickel Plating	6 way
Overlay	Boring Hole Pattern	Material	Packaging
1/2"	45 mm	Steel	200/ carton
Certification	ANSI BHMA		

# Compact Hinges 22855 Series

Compact  
Hinges

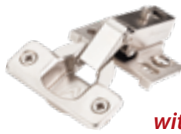
This self-close hinge combines the strength and tighter door-cabinet gap of a European hinge with the simplicity of a compact hinge. A 125° opening angle and a dual pivot point make this hinge a good choice in any face frame cabinet.

## Features

- Die cast face frame plate securely grasps the frame and provides two attachment points
- Grade 2 ANSI/BHMA certified to ANSI 50,000 cycles
- Available with or without cam adjustable plate
- One-piece compact assembly with vertical screw adjustment and horizontal and depth cam adjustment

## Specs

- 125° opening angle
- Dual pivot point
- 6-way adjustability
- Cold-rolled steel with nickel plating
- 45 mm boring pattern
- #7 x 5/8" pan head washer screw (7X0580WCQ) recommended



1/2" Overlay  
with Cam Adj Plate



1/2" Overlay

**U.S. PATENT**  
7,594,300

## APPLICATION



No Dowels

22855-10  
200/ctn

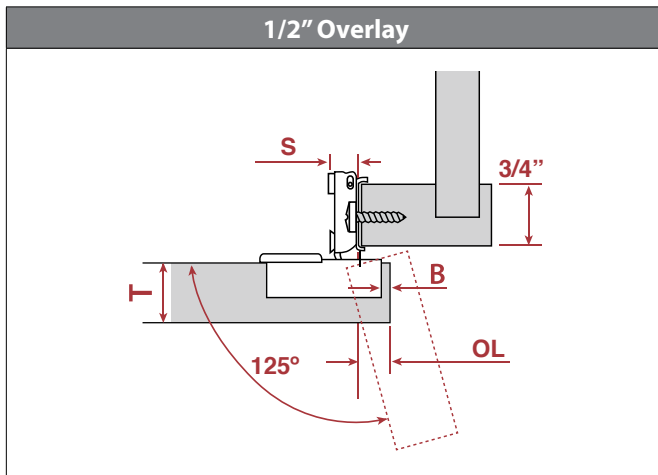
22855-8-000N-2  
200/ctn



Press-in  
8 mm Dowels

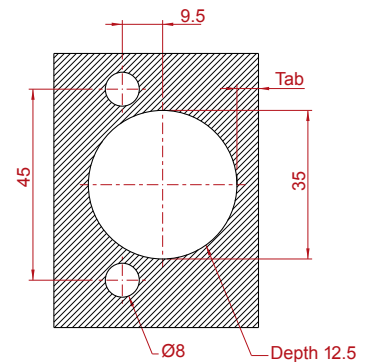
22855-9  
200/ctn

22855-7-000N-2  
200/ctn



Subject to technical modifications without notice. Dimensions in millimeters (inch equivalents as noted).

Boring Depth	Tab
12.5 mm	3 mm



Part Number	Overlay	P	S
22855-10	13 mm (1/2")	11 mm (7/16")	32 mm (1-1/4")
22855-8-000N-2	13 mm (1/2")	11 mm (7/16")	32 mm (1-1/4")
22855-9	13 mm (1/2")	11 mm (7/16")	32 mm (1-1/4")
22855-7-000N-2	13 mm (1/2")	11 mm (7/16")	32 mm (1-1/4")
	Boring distance = 3	Minimum Reveal = 4 mm (5/32")	

# Compact Hinges

## 3390 Series

Hardware Resources's most economical hinge, the 3390 Series, has proven reliability with over two decades of field-tested performance.






### Features

- Grade 2 ANSI/BHMA certified to ANSI 50,000 cycles
- One-piece compact assembly with vertical screw adjustment and horizontal and depth cam adjustment
- 2-cleat options available for face frame material over 3/4"

### Specs

- 105° opening angle
- Single pivot point
- 6-way adjustability
- Cold-rolled steel with nickel plating
- 45 mm boring pattern
- #7 x 5/8" pan washer head screw (7X0580WCQ) recommended



APPLICATION	1/2" Overlay	3/4" Overlay	1" Overlay	1-1/4" Overlay	1-1/2" Overlay
 <b>No Dowels</b>	3390 200/ctn	—	—	—	—
 <b>Press-in 8 mm Dowels</b>	3390-2-000 200/ctn	3390-6-000 200/ctn	3391-000 200/ctn	3394-000 200/ctn	3392-000 200/ctn
	3390-2-2C* 200/ctn			3394-2C* 200/ctn	
 <b>Easy-Fix Dowels</b>	3390-3-000 200/ctn				

\*2C = 2-Cleat Hinge


<b>Adjustment</b>  <b>6 way</b>	<b>Overlay</b> <b>1/2"–1 1/2"</b>
<b>Application</b> <b>Face frame</b>	<b>Opening Angle</b> <b>105°</b>
<b>Finish</b> <b>Nickel Plating</b>	<b>Material</b> <b>Steel</b>
<b>Certification</b> <b>ANSI BHMA</b>	<b>Packaging</b> <b>200/carton</b>
	<b>Boring Hole Pattern</b> <b>45 mm</b>

**U.S. PATENT**  
7,653,967; 8,839,488;  
10,415,283

## 105° Compact Hinge with 4-Way Adjustment

Looking for simplicity? Use the 3396-000 hinge on jobs that only require horizontal and vertical adjustability.



APPLICATION	1/2" Overlay
 <b>Press-in 8 mm Dowels</b>	3396-000 200/ctn

### Features

- Grade 2 ANSI/BHMA certified to ANSI 50,000 cycles
- One-piece compact assembly with vertical screw adjustment and horizontal cam adjustment

### Specs

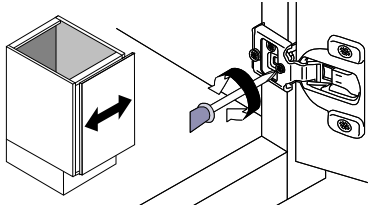
- 105° opening angle
- Single pivot point
- 4-way adjustability
- 45 mm boring pattern
- Cold-rolled steel with nickel plating
- #7 x 5/8" pan washer head screw (7X0580WCQ) recommended



## Three-dimensional door adjustment

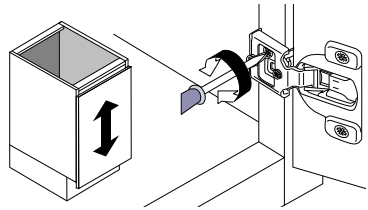
### Horizontal adjustment

Rotate front screw to increase or decrease door overlay.



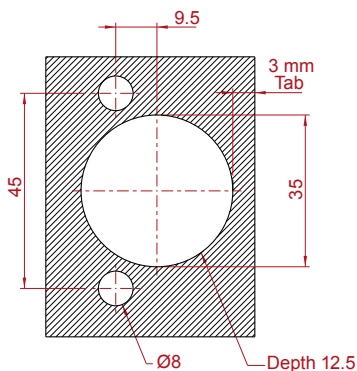
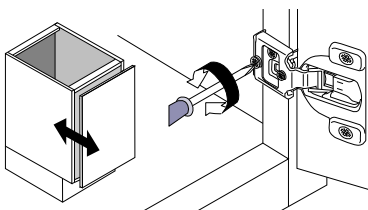
### Vertical adjustment

Rotate center cam screw to adjust door position.



### Depth adjustment

Rotate rear cam screw to adjust door position.  
*Note: 3396-000 does not have depth adjustment.*

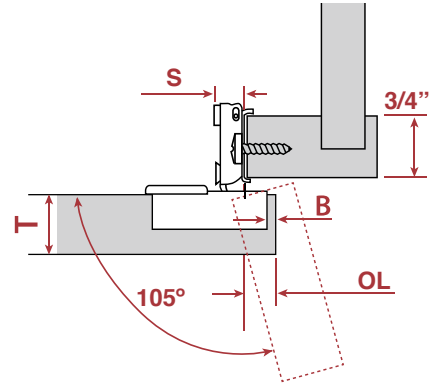


Subject to technical modifications without notice.  
Dimensions in millimeters (inch equivalents as noted).

	Boring Depth	Tab
3390 Series	12.5 mm	3 mm

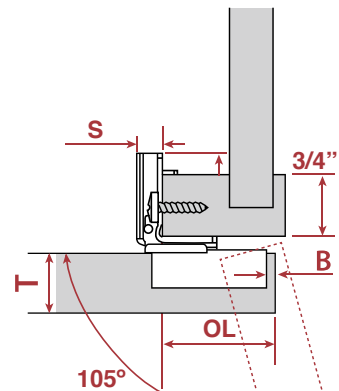
## 105° Hinges

### 1/2" to 1" Overlay



Part Number	Overlay	P	S
3390	13 mm (1/2")	5 mm (3/16")	13 mm (1/2")
3390-2-000	13 mm (1/2")	5 mm (3/16")	13 mm (1/2")
3396-0000	13 mm (1/2")	5 mm (3/16")	13 mm (1/2")
3390-6-000	19 mm (3/4")	0	13 mm (1/2")
3391-000	25.4 mm (1")	0	13 mm (1/2")
	Boring distance = 3	Minimum Reveal = 7 mm (9/32")	

### 1-1/4" to 1-1/2" Overlay



Part Number	Overlay	P	S
3394-000	32 mm (1-1/4")	0	9 mm (11/32")
3393-000	35 mm (1-3/8")	0	9 mm (11/32")
3392-000	38 mm (1-1/2")	0	9 mm (11/32")
	Boring distance = 3	Minimum Reveal = 7 mm (9/32")	

### Abbreviations

P	= Door protrusion
S	= Hinge arm protrusion
T	= Door thickness

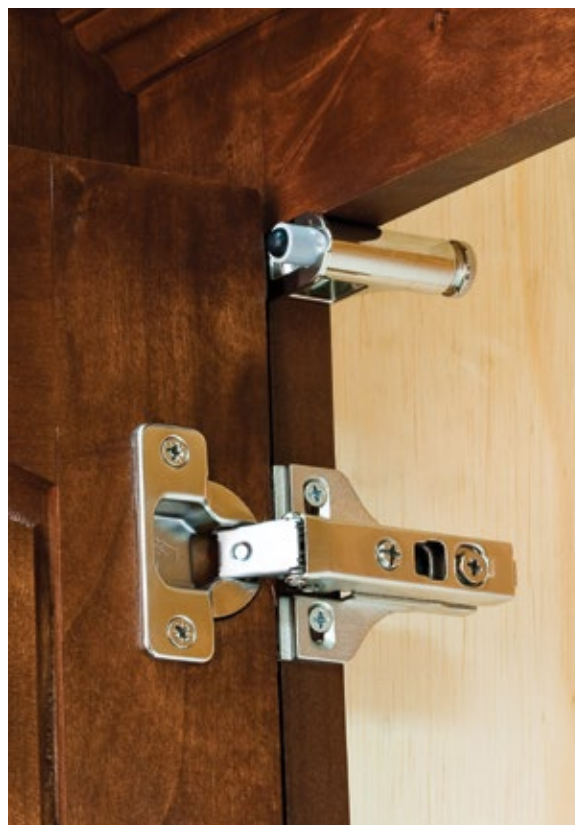


## Independent Soft-Close

- » One soft-close for every application
  - Face frame cabinetry (any overlay)
  - Frameless cabinetry (full overlay)
- » Mounts above the uppermost hinge using one screw
- » Pressure adjustment dial on back of device
- » Strong polymer construction with nickel plating
- » Available in bulk pack or retail pack
- » Retail pack includes #6 x 3/4" pan head screw and mounting instructions.



	<i>Bulk Packed</i>	<i>Retail Packed</i>
Nickel	ISC 200 pcs/ctn	ISC-R 40 pks/box 640 pks/master
<i>Recommended screw:</i>	<i>#6 pan head</i>	<i>screw included</i>



# Soft-Close Dampers

## Clip-On Soft-Close

- » Available for 500 Series European hinges
- » Quickly and easily installs onto hinge body
- » Smooth closing motion on any size cabinet door
- » Pressure adjustment dial on back of damper
- » Average size doors only require one damper, oversize doors may require two



---

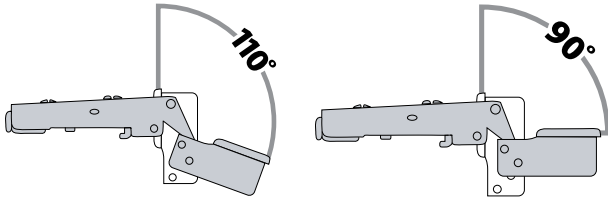
For **500 Series** European hinges  
with **0 mm crank**

500.SC  
500 pcs/box  
1000/master



# Hinge Accessories

## 90° Angle Restrictor Clips for European & Compact Hinges



- » Convert 110° European hinges to 90° and convert 105° compact hinges to 85°
- » Restrictor clip slips easily into the back of the cup
- » Keeps cabinet door from contacting an appliance, wall, or other cabinet



	<i>Restrictor Clip</i>	<i>Angle</i>
For <b>500 Series</b> European Hinges	575.RC 100 pcs/box*	90°
For <b>700, 725, &amp; 1750 Series</b> European Hinges	700.RC 100 pcs/box*	90°

\*FULL BOX QUANTITIES ONLY



	<i>Restrictor Clip</i>	<i>Angle</i>
For <b>9390ADJ, 9390</b> and <b>8390</b> Compact Hinges	9390.RC 100 pcs/box*	85°

\*FULL BOX QUANTITIES ONLY

## Custom Branded Hinge Cover Caps



YOUR Logo printed in black on white plastic caps. 3 week production lead time

	<i>Hinge Cover Cap with Custom Branding</i>	<i>Hinge Cover Cap with Custom Branding</i>
For <b>500 Series</b> European Hinges	500.CAP 1000/ctn	For <b>3390 Series</b> Compact Hinges 3390 .CAP 1000/ctn
For <b>700 &amp; 725 Series</b> European Hinges	700.CAP 1000/ctn	

## Screwdriver



*Screwdriver*

#2 Pozzi Screwdriver  
with magnetized tip

HR-SCREW-DRIVER  
1 pc/box

## Dowels & Screws



*8 mm Dowels for  
Hardware Resources Hinges*

276.4389.37  
5000 pcs/master



*Dowel Screws for  
Hardware Resources Hinges*

828.6250.05  
10,000 pcs/master

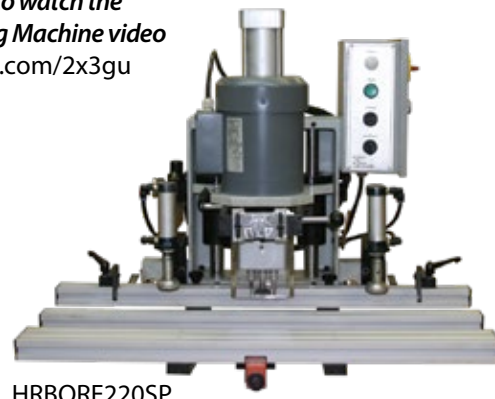
# Hinge Boring & Accessories

## Hinge Boring Machine

- Single-handed operation
- Quick tab setting with dial indicator
- Fully-adjustable up and down speed setting
- Each machine is fine-tuned and preset before shipment
- Board placement guide provides fast and consistent alignment
- 220V single phase boring machine, 1.5 HP, 3450 RPM
- Ships preassembled with bits and long-arm European hinge ram for 1750, 700, 725, & 500 series hinges
- Ships with tool kit
- Affordable hinge commitment program —ask your rep for details



Scan to watch the  
*Boring Machine video*  
[delivr.com/2x3gu](http://delivr.com/2x3gu)



HRBORE220SP

## Insertion Rams

- Solid steel construction guaranteed to last and to hold tolerances
  - Magnetic and ball bearing catches integrated into ram to hold hinge in place during insertion
  - RAM3386 compatible only with HRBORE220SP machine
- Compatible with most brands of boring machines
  - Adjustable set screws allowing adjustment of ram for all European hinges
  - Compatible with 500, 700, 725, & 1750 series European hinges and 22855 series compact hinges



*Insertion Ram for  
HR Boring Machine (standard)*

LARM-110



*Insertion Ram for  
non-HR Boring Machines*

LARM-110B



*Insertion Ram for  
700.0M73.05 165° Hinge*

LARM-165.SFT



*Insertion Ram for  
3390 Series Compact Hinges*

RAM3386



*Insertion Ram for 9390ADJ, 9390,  
and 8390 Dura-Close® Series Hinges*

LARM-7390

## Replacement Bits



*8 mm Brad Bit for Dowel Hole*

301008



*35 mm Center Bit for Cup Hole*

203351

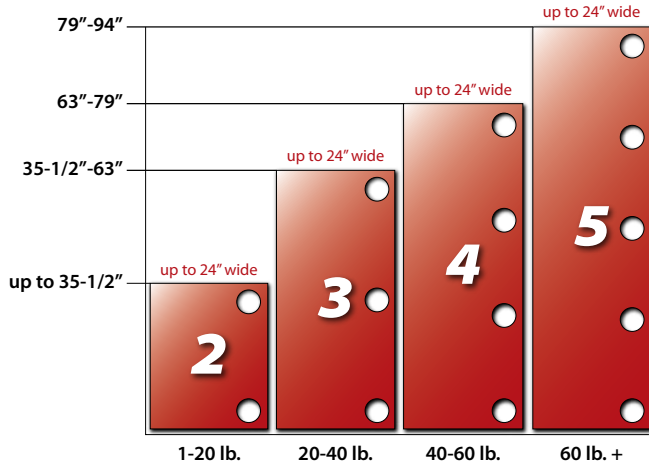
- Solid carbide cutting edge stays sharp and precise
- Carbon alloy steel prevents corrosion and defects

# Hinge Mounting Information

## Determining the Number of Hinges per Door

### European Hinges

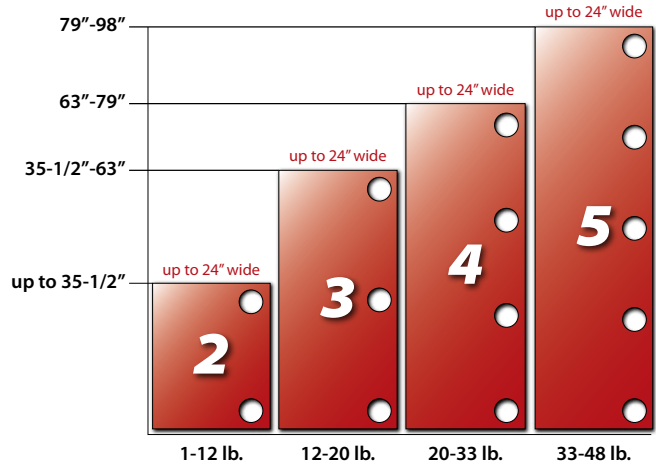
**Door Height**



**Door Weight**

### Compact Hinges

**Door Height**

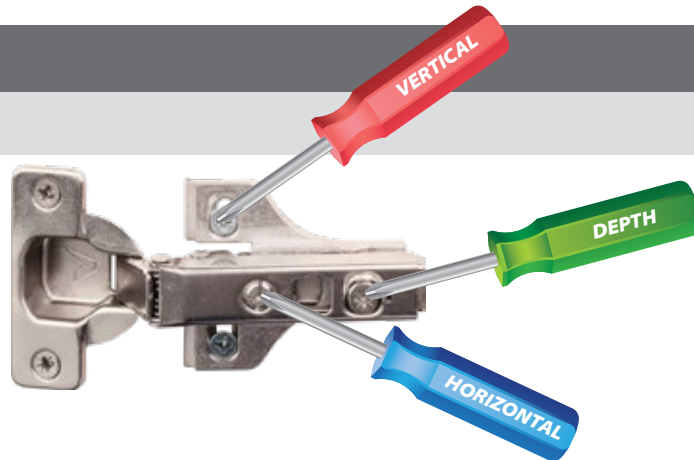


**Door Weight**

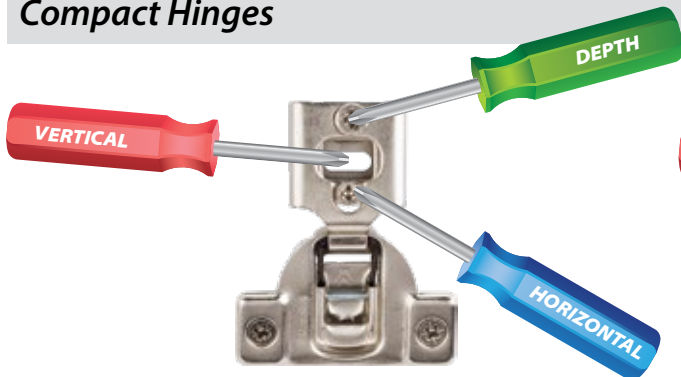
NOTE: Avoid doors that are wider than they are tall.  
Keep hinges as close to top and bottom of door as possible.  
Attach hinges and plates using all available holes.

## Adjusting the Hinge

### European Hinges



### Compact Hinges



### Compact Hinge - 22855 series



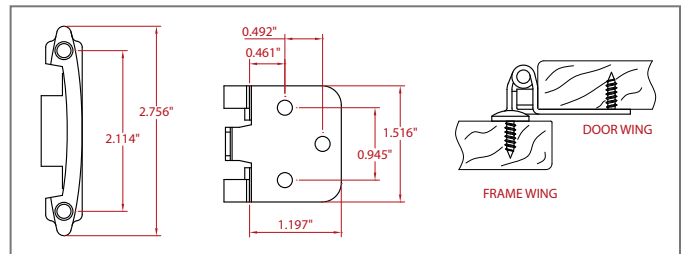
# Hinge Mounting Information

Conversion Chart					
mm	inch		mm	inch	
1	1/32	.031	13.5	17/32	.531
1.5	1/16	.063	14	9/16	.563
2	5/64	.078	15	19/32	.594
3	1/8	.125	16	5/8	.625
4	5/32	.156	17	21/32	.656
5	3/16	.188	17.5	11/16	.688
5.5	7/32	.219	18	23/32	.719
6	1/4	.25	19	3/4	.75
7	9/32	.281	20	25/32	.781
8	5/16	.313	20.5	13/16	.813
9	11/32	.344	21	27/32	.844
9.5	3/8	.375	22	7/8	.875
10	13/32	.406	23	29/32	.906
11	7/16	.438	24	15/16	.938
12	15/32	.469	24.5	31/32	.969
13	1/2	.5	25.4	1	1



# Decorative Hinges Self-Closing

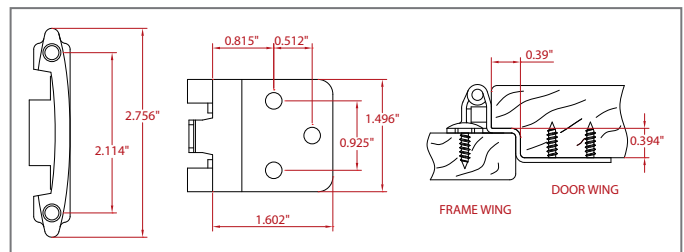
## Overlay Hinge—Face Frame Mount



	<i>Bulk Pack</i>	<i>Retail Pack</i>
Antique Brass		P5011AB
Black Powder Coat	H5011BLK	—
Brushed Dull Nickel	H5011BNBDL	—
Burnished Brass	H5011BB	P5011BB
Dark Antique Copper Machined	—	P5011DACM
Dark Brushed Antique Copper	H5011DBAC	P5011DBAC
Matte Black <b>NEW</b>	—	P5011MB-R
Polished Brass	—	P5011PB
Satin Nickel	H5011SN	P5011SN
White	—	P5011WH
	125 pr/ctn	1 pr/polybag 100 pks/ctn

- » Traditional overlay hinge with semi-concealed frame wing
- » Steel construction with reliable power pack for firm, spring-loaded self-close
- » #5 x 5/8" oval head screw recommended for face frame attachment and #6 x 1/2" flat head screw recommended for door attachment
- » Retail packs are polybagged with UPC label and contain: 2 hinges, 4 finished screws for face frame attachment, 6 finished screws for door attachment, and 2 door bumpers

## 3/8" Inset Hinge—Face Frame Mount



	<i>Bulk Pack</i>	<i>Retail Pack</i>
Antique Brass		P5922AB
Burnished Brass	H5922BB	—
Dark Antique Copper Machined	—	P5922DACM
Dark Brushed Antique Copper	—	P5922DBAC
Matte Black <b>NEW</b>	—	P5922MB-R
Polished Brass	—	P5922PB
Polished Chrome	—	P5922PC
Satin Nickel	—	P5922SN
	125 pr/ctn	1 pr/polybag 100 pks/ctn

- » Traditional 3/8" inset hinge with semi-concealed frame wing
- » Steel construction with reliable power pack for firm, spring-loaded self-close
- » #5 x 5/8" oval head screw recommended for face frame attachment and #6 x 1/2" flat head screw recommended for door attachment
- » Retail packs are polybagged with UPC label and contain: 2 hinges, 4 finished screws for face frame attachment, 6 finished screws for door attachment, and 2 door bumpers

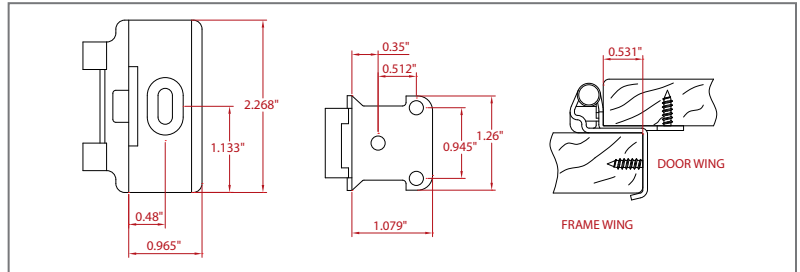
### Full Wrap Around Hinge—3 Hole Door Mount, 1/2" Overlay



**Bulk Pack**

Antique Brass	H6541AB
Burnished Brass	H6541BB
Satin Nickel	H6541SN

100pr/ctn



- » For 3/4" frame and 1/2" overlay applications
- » Steel construction with reliable power pack for firm, spring-loaded self-close
- » #6 x 5/8" flat head screw recommended for fast single-point attachment to face frame and #6 x 1/2" flat head screws recommended for door attachment
- » Slotted face frame hole provides vertical adjustment

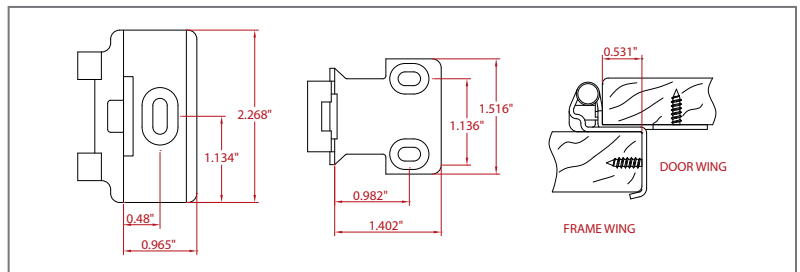
### Full Wrap Around Hinge—2 Hole Door Mount, 1/2" Overlay



**Bulk Pack**

Burnished Brass	H6441BB
Satin Nickel	H6441SN

100 pr/ctn



- » For 3/4" frame and 1/2" overlay applications
- » Steel construction with reliable power pack for firm, spring-loaded self-close
- » #6 x 5/8" flat head screw recommended for fast single-point attachment to face frame and #6 x 1/2" flat head screw recommended for door attachment
- » Slotted face frame and door holes provide horizontal and vertical adjustment

# Decorative Hinges Self-Closing

## Partial Wrap Around Hinge—3 Hole Door Mount, 1/2" Overlay

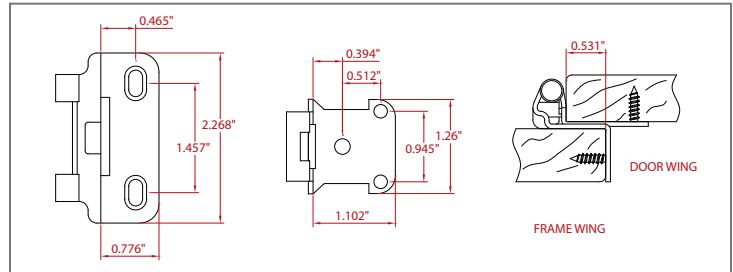


Burnished Brass

**Bulk Pack**

H7441BB

200 pr/ctn

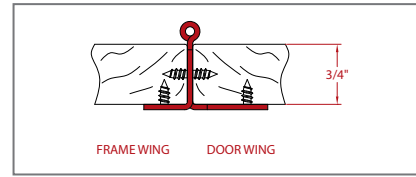


- » For 3/4" frame and 1/2" overlay applications
- » Steel construction with reliable power pack for firm, spring-loaded self-close
- » #6 x 5/8" flat head screw recommended for attachment to face frame and #6 x 1/2" flat head screw recommended for door attachment
- » Slotted face frame holes provide vertical adjustment

# Decorative Hinges Free-swinging

Decorative  
Hinges

## Full Wrap Around Hinge—Full Inset Ball Tip

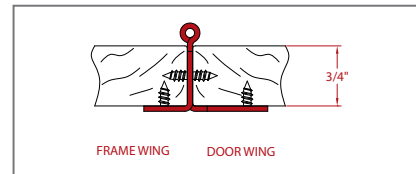


	<i>Bulk Pack</i>
Antique Brass	0128AB
Dark Brushed Antique Copper	0128DBAC
Matte Black	0128MB
Satin Nickel	0128SN

250 pcs/ctn

- » For 3/4" frame and 3/4" door, 270° opening
- » For full inset frame applications
- » Stylish ball tips for Shaker-style cabinets with raised panel doors
- » Non-mortise hinge quickly installs and yields minimal door gap
- » #6 x 5/8" flat head screw recommended for attachment to frame and #6 x 1/2" flat head screw recommended for door attachment
- » Slotted holes provide horizontal and vertical adjustment
- » Coordinates with Jeffrey Alexander cabinet latch (Part #CL101)

## Full Wrap Around Hinge—Full Inset Minaret Tip



	<i>Bulk Pack</i>
Matte Black	0138MB
Satin Nickel	0138SN

20 pcs/box  
200 pcs/master

- » For 3/4" frame and 3/4" door, 270° opening
- » For full inset frame applications
- » Stylish minaret tips for Shaker-style cabinets with raised panel doors
- » Non-mortise hinge quickly installs and yields minimal door gap
- » #6 x 5/8" flat head screw recommended for attachment to frame and #6 x 1/2" flat head screw recommended for door attachment
- » Slotted holes provide horizontal and vertical adjustment
- » Coordinates with Jeffrey Alexander cabinet latch (Part #CL101)

# Decorative Hinges Free-swinging

## Full Wrap Around Hinge—Offset Bifold

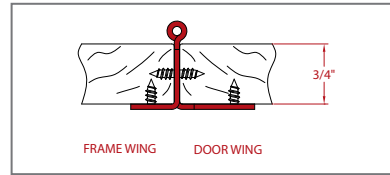


**Bulk Pack**

Polished Brass

9915PB

400 pcs/ctn



- » For 3/4" frame and 3/4" door, 180° opening
- » For offset applications
- » Non-mortise hinge quickly installs and yields minimal door gap
- » #6 x 5/8" flat head screw recommended for attachment to frame and #6 x 1/2" flat head screw recommended for door attachment
- » Slotted holes provide horizontal and vertical adjustment

## Partial Wrap Around Hinge—Full Inset "A" Style Minaret Tip



**Bulk Pack**

Antique Brass

0148AB

Dark Brushed Antique Copper

0148DBAC

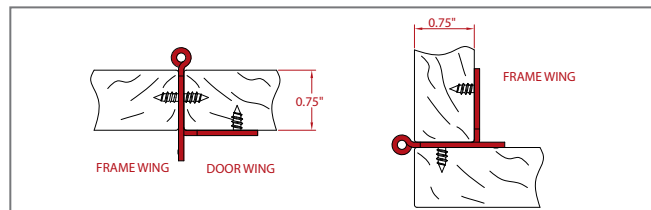
Matte Black

0148MB

Satin Nickel

0148SN

250 pcs/ctn



- » For 3/4" frame and 3/4" door, 270° opening
- » For full inset face frame applications
- » "A" style slim form minaret tips for Shaker-style cabinets with raised panel doors
- » Non-mortise hinge quickly installs and yields minimal door gap
- » #6 x 5/8" flat head screw recommended for attachment to frame and #6 x 1/2" flat head screw recommended for door attachment
- » Slotted holes provide vertical adjustment
- » Coordinates with Jeffrey Alexander cabinet latch (Part # CL101)

# Decorative Hinges Free-swinging

Decorative  
Hinges

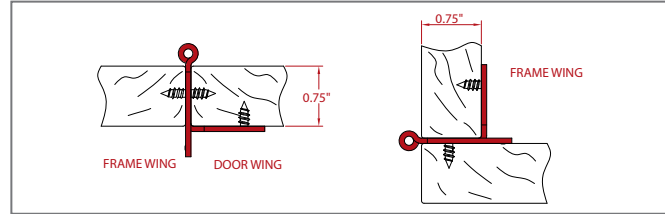
## Partial Wrap Around Hinge—Full Inset “B” Style Minaret Tip



**Bulk Pack**

Dark Brushed Antique Copper	0158DBAC
Polished Nickel	0158NI
Satin Nickel	0158SN

50 pcs/box  
300 pcs/master



- » For 3/4" frame and 3/4" door, 270° opening
- » For full inset face frame applications
- » “B” style rounded minaret tips for Shaker-style cabinets with raised panel doors
- » Non-mortise hinge quickly installs and yields minimal door gap
- » #6 x 5/8" flat head screw recommended for attachment to frame and #6 x 1/2" flat head screw recommended for door attachment
- » Slotted holes provide vertical adjustment
- » Coordinates with Jeffrey Alexander cabinet latch (Part # CL101)

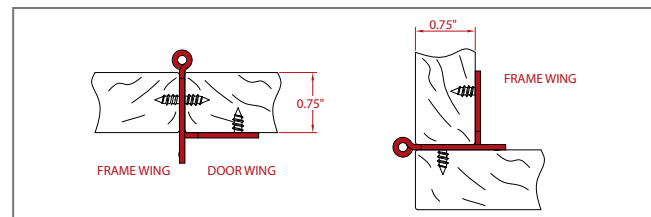
## Tall Partial Wrap Around Hinge—Full Inset Minaret Tip



**Bulk Pack**

Polished Nickel	0178NI
Satin Nickel	0178SN

50 pcs/box  
200 pcs/master



- » For 3/4" frame and 3/4" door, 270° opening
- » For full inset face frame applications
- » Minaret tips for Shaker-style cabinets with raised panel doors
- » Non-mortise hinge quickly installs and yields minimal door gap
- » #6 x 5/8" flat head screw recommended for attachment to frame and #6 x 1/2" flat head screw recommended for door attachment
- » Slotted holes provide vertical adjustment
- » Coordinates with Jeffrey Alexander cabinet latch (Part # CL101)



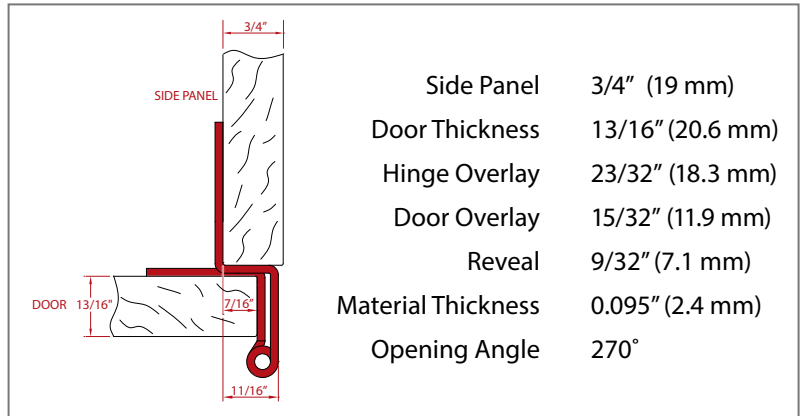
## 5 Knuckle Overlay Hinge



**Bulk Pack**

Almond Powder Coat	HR0076AL
Black Powder Coat	HR0076BLK
Dull Chrome (26D)	HR0076
Stainless Steel (304)	HR0076SS
White Powder Coat	HR0076WH
<b>Recommended screw:</b>	<b>#8 flat head or Euro</b>

108 pcs/box



- » Conforms to ANSI/BHMA Grade 1 requirements
- » Hospital tips, 2-3/4" overall height
- » 32 mm system hole pattern with 37 mm setback
- » Countersunk screw holes for recommended #8 flat head or Euro screws
- » Stainless steel #8 x 3/4" flathead screw available (8X347-2)

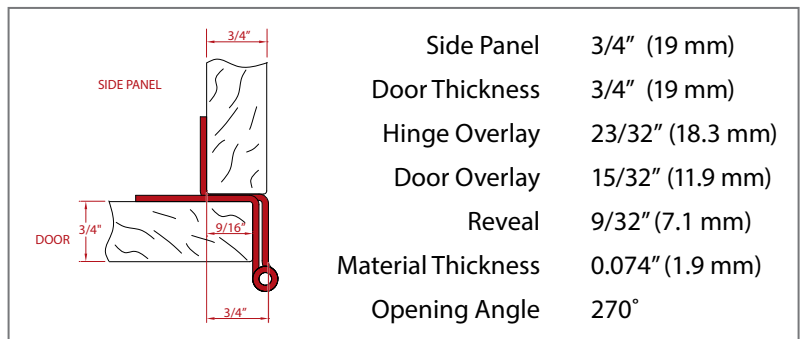
## 3 Knuckle Heavy-Duty Hinge



**Bulk Pack**

Black Powder Coat	9975BLK
Bright Nickel	9975BN

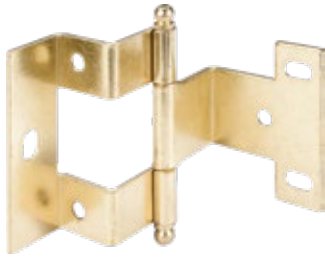
100 pcs/ctn



- » Decorative ball tips, 2-5/16" overall height
- » Drilled knuckle inner diameter
- » 32 mm system hole pattern

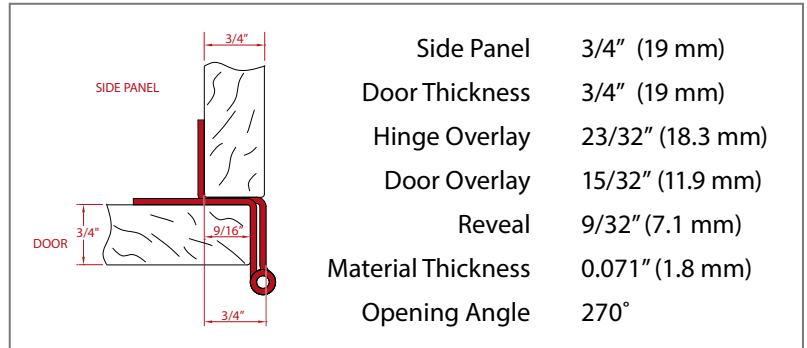
# Institutional Hinges

## 3 Knuckle Medium-Duty Hinge



**Bulk Pack**

Polished Brass	9925PB
300 pcs/ctn	



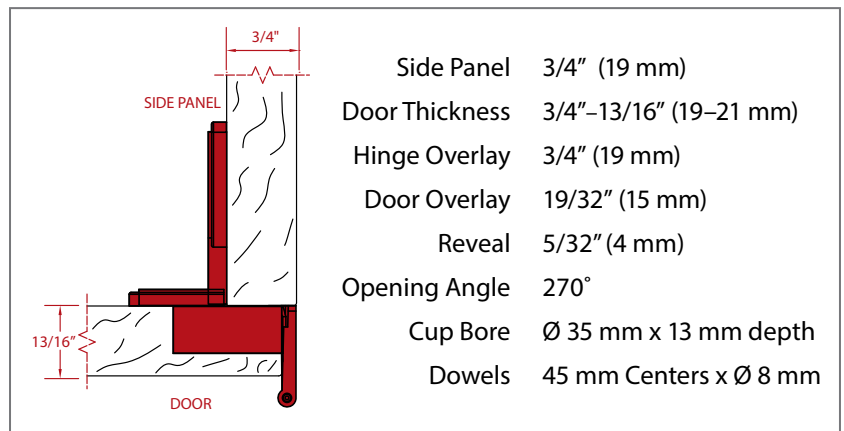
- » Decorative ball tips, 3-1/8" overall height
- » Countersunk screw holes for recommended #6 flat head screws

## Single Pivot Institutional Hinge



**Bulk Pack**

Nickel	HR0086
<b>Recommended screw:</b>	<b>#8 pan head</b>
100 pcs/ctn	



- » Solid zinc die cast construction
- » 8 mm dowels preattached to cup
- » Integrated polymer catch with positive lock
- » Conforms to ANSI/BHMA Grade 1 requirements

# Specialty Decorative Hinges

## Continuous (Piano) Hinge



*Boxed*

Bright Nickel	5414
Polished Brass	5413
<b>Recommended screw:</b>	<b>#6 flat head</b>

25 pcs/ctn

- » 21-gauge steel (0.035")
- » 1-1/2" open width, 11/16" leaf width
- » Ships in 6' pieces, cuttable to length
- » 2" hole spacing, 1/4" knuckle length

## Butler Tray Hinge



*Polybag Pack*

Brass	BTH-12
36 pcs/ctn	

- » Hinge mortises flush into surface of table
- » Hinge folds up 90° and stops
- » Stop holds hinge flat in horizontal position
- » Sold individually with screws included

## False Front Clips



*18.25 mm*



*21 mm Extended*



*Roller/Spacer*

Black Plated	FFC11BLK	FFC12BLK	—
White	—	—	FFS11
<b>Recommended screw:</b>	<b>#6 flat head</b>	<b>#6 flat head</b>	

5000 pcs/ctn

2500 pcs/ctn

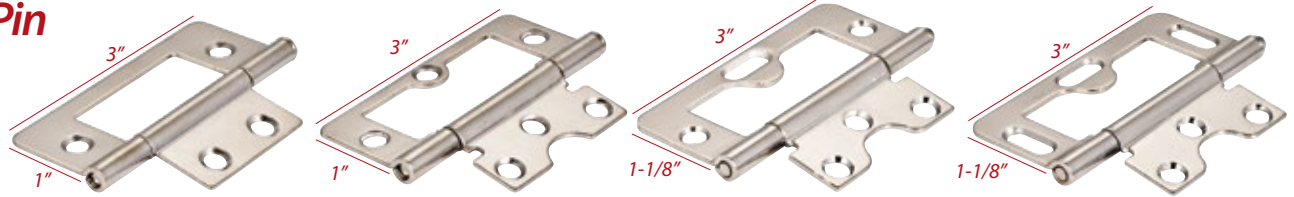
5000 pcs/ctn

- » Easily attach false drawer fronts to cabinet frames in applications such as in front of a sink or stove
- » Perfect for sink base cabinets in kitchens and bathrooms

# Shutter Hinges Non-Mortise

Shutter  
Hardware

## Loose Pin



3" Swaged—4 Holes

3" Swaged—6 Holes

3" Swaged—1 Slot

3" Swaged—3 Slots

Almond	9500ALM	9802ALM	9805ALM	9806ALM
Antique Brass	9500AB	9802AB	—	—
Bright Nickel	9500BN	9802BN	—	—
Bright White	9500BWH	9802BWH	9805BWH	—
Brushed Chrome	9500BC	—	—	—
Dark Antique Copper Machined	9500DACM	9802DACM	9805DACM	—
Dull White	9500WH-D	—	—	—
Polished Brass	9500PB	9802PB	9805PB†	—
White	9500WH	9802WH	9805WH	—
<b>Recommended screw:</b>	<b>#6 x 5/8" flat head</b>	<b>#6 x 5/8" flat head</b>	<b>#6 x 5/8" flat head</b>	<b>#6 x 5/8" flat head</b>
	50 pcs/box 250 pcs/master	50 pcs/box 250 pcs/master	50 pcs/box 250 pcs/master	50 pcs/box 250 pcs/master

## Fixed Pin



2" Flat Back

2-1/2" Flat Back

3-1/2" Swaged 3 Leaf

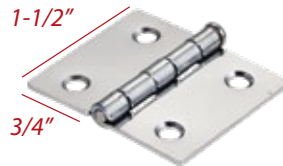
Almond	—	—	20251-ALMS
Antique Brass	—	—	20251AB
Antique Copper	—	9801AC	—
Black	9800BLK	—	—
Bright Nickel	—	—	20251BN
Bright White	—	—	20251BWH
Brushed Chrome	—	—	20251BC
Polished Brass	9800PB	—	20251PB
White	—	—	20251-WHS
<b>Recommended screw:</b>	<b>#4 x 5/8" flat head</b>	<b>#5 x 5/8" flat head</b>	<b>#6 x 5/8" flat head</b>
	50 pcs/box 500 pcs/master	50 pcs/box 500 pcs/master	100 pcs/box 500 pcs/master

# Shutter Hinges Butt

## Swaged or Not Swaged... What Hinge Do I Need?

<p><b>PLAIN HINGE</b> Neither leaf is swaged, the leaves lie flat in the same plane in an open position</p>			
<p><b>SINGLE FULL SWAGED HINGE</b> One leaf is fully swaged providing relief for offset mounting</p>			
<p><b>SINGLE HALF SWAGED HINGE</b> One leaf is half swaged for certain mounting requirements</p>			
<p><b>DOUBLE HALF SWAGED HINGE</b> Both leaves are half swaged with minimum clearance between the leaves when closed</p>			

### Single Half Swaged



1-1/2" x 1-3/4"



2-1/2" x 1-1/2"

Almond	—	33527ALM
Antique Brass	—	33527AB
Bright Nickel	—	33527BN
Bright White	—	33527BWH
Brushed Chrome	—	—
Dark Antique Copper Machined	—	33527DACM
Prime Coat	20160PR	33527PR
Stainless Steel	—	33527SS
White	—	33527WH
<b>Recommended screw:</b>	<b>#5 x 5/8" flat head</b>	<b>#6 x 5/8" flat head</b>

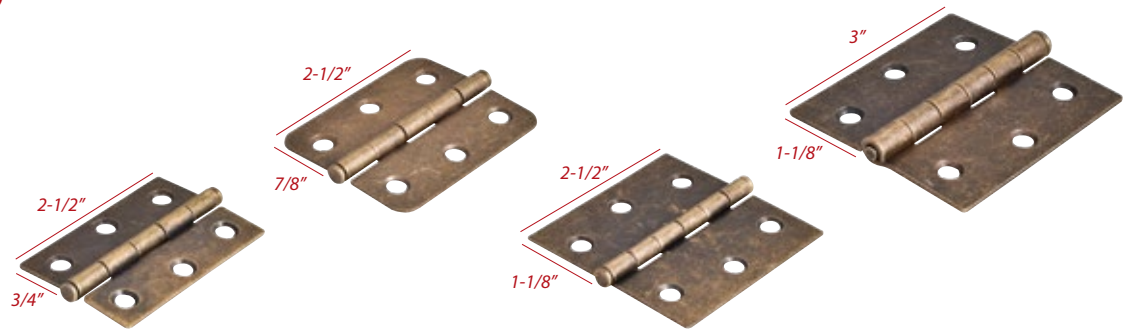
250 pcs/box  
1000 pcs/master

100 pcs/box  
500 pcs/master

# Shutter Hinges Butt

Shutter  
Hardware

## Single Full Swaged

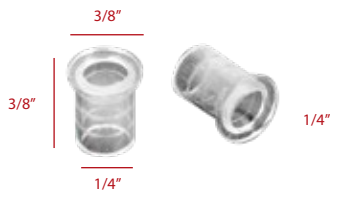


	<i>2-1/2" x 2" Radius Corner</i>		<i>2-1/2" x 2-1/2"</i>	<i>3" x 2-3/4"</i>	
	<i>2-1/2" x 1-11/16"</i>	<i>Non-Swaged</i>	<i>Swaged</i>		
Almond	—	—	33530ALM	33524ALM	—
Antique Brass	33528AB	33529AB	33530AB	33524AB	OL33550AB
Bright Nickel	33528BN	—	—	33524BN	OL33550BN
Bright White	33528BWH	33529BWH	33530BWH	33524BWH	OL33550BWH
Brushed Chrome	—	33529BC	—	33524BC	OL33550BC
Dark Antique Copper Machined	—	33529DACM	33530DACM	33524DACM	OL33550DACM
Off White	—	—	—	33524OWH	—
Polished Brass	—	—	—	33524PB	OL33550PB
Prime Coat	—	—	33530PR	—	OL33550PR
Stainless Steel	—	—	—	33524SS	OL33550SS
White	33528WH	33529WH	33530WH	33524WH	OL33550WH
<i>Recommended screw:</i>	<i>#6 x 5/8" flat head</i>	<i>#6 x 5/8" flat head</i>	<i>#6 x 3/4" flat head</i>	<i>#8 x 3/4" flat head</i>	
	100 pcs/box 500 pcs/master	100 pcs/box 400 pcs/master	50 pcs/box 250 pcs/master	50 pcs/box 200 pcs/master	

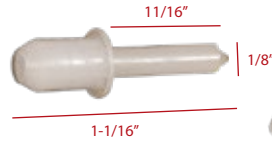


# Shutter Hardware

## Louver Pins



**Flange Bushing**



**Louver Pin**



**Spring-Loaded Louver Pin**

Nylon/Natural

—

20 K/ctn

LP1000

15 K/ctn

—

10 K/ctn

## Button Catches



**Reverse Clip L Mount**



**Inside Clip**

Polished Brass

—

50614

Zinc

50600

50610

**Recommended screw:**

**#5 x 5/8" flat head**

**#5 x 5/8" flat head**

100 receivers +  
100 buttons/box  
500 receivers +  
500 buttons/master

100 receivers +  
100 buttons/box  
500 receivers +  
500 buttons/master

# Screw Selection Guide

## Screw Finishes



## Ordering Options

All screws priced and sold by the thousand (K).  
To calculate pricing multiply the quantity (Qty) by the price.



### Keg Bucket

- The value package, available in our most popular screws
- Heavy-duty and convenient way to take screws to the jobsite
- More durable than cardboard boxes
- Bucket is reusable for many applications
- Lid securely snaps and stays in place



### White Box

(all part #s ending in -B)

- Smaller order minimums
- 4 white inner boxes make up one master case
- Purchase by the inner box or by the case



### Economy Pack Box (all part #s ending in -2)

- Carton quantity is 2000 pcs
- Economy packed for lower inventory commitment
- Stocked in all warehouses for fast delivery on urgent jobs
- Select from our most popular hardware, assembly and installation screws

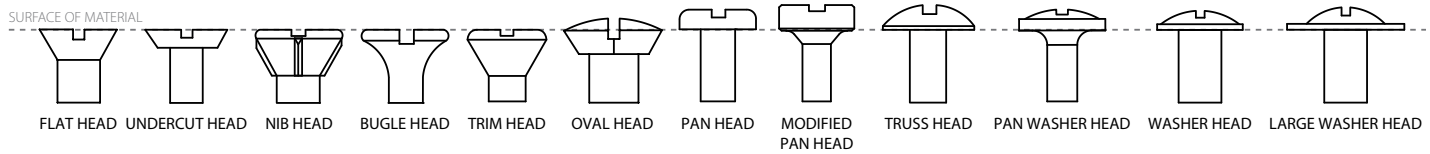
### Example:

Description	Diameter x Length	Finish	Drive	Tip	Part #	Qty
Coarse Thread	#6 x 5/8"	Zinc	#2 Square	-	6X580Q-B	6K
Coarse Thread	#6 x 5/8"	Zinc	#2 Square	Type 17	6X58017Q	25K
Coarse Thread	#6 x 5/8"	Zinc	#2 Square	Type 17	6X58017Q-B	6K
Coarse Thread	#6 x 5/8"	AB	Phillips	-	6X582	25K
Coarse Thread	#6 x 5/8"	AB	Phillips	-	6X582-B	6K

Qty x Price = Total price per package

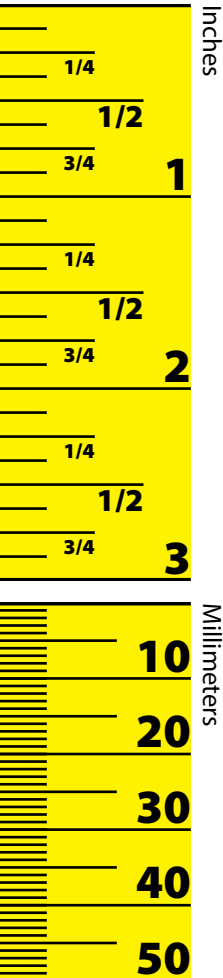
# Screw Selection Guide

## Head Types *(Measure length from surface of material to screw tip)*



## Head Sizes

	#4	#5	#6	#7	#8	#9	#10	#14
Flat Head	0.225"	0.252"	0.255"	0.295"	0.332"	0.335"	0.385"	0.491"
Oval Head		0.252"						
Pan Head			0.270"	0.296"	0.322"		0.373"	
Pocket Hole/Face Frame			Modified	Modified				
Truss Head			0.260"		0.384"			
Standard Washer Head					0.375"		0.500"	
Large Washer Head					0.500"			



## Drives



PHILLIPS

*Most common in wood applications*



PHILLIPS SLOTTED COMBO

*Popular on truss head machine screws*

*Use Phillips bit to drive*

*Use Phillips or Flat bit to remove*



POZI

*Allows tight engagement, prevents stripping*



POZI SLOTTED COMBO

*Found on 2-piece connectors*

*Use Pozi bit to drive*

*Use Pozi or Flat bit to remove*



SQUARE

*Popular in hand-driven applications*

*Allows tight engagement, prevents stripping*



PHILLIPS SQUARE COMBO

*Allows tight engagement, prevents stripping*

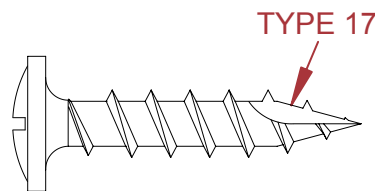
*Use Square or Combo bit to drive*

*Use Square, Combo, or Phillips bit to remove*



HEX

*Found on drivers and draw bolts*



\*NO BROKEN CARTONS. FULL CARTONS ONLY

	Item	Length	Drive	Material	Part #	Qty
	Bit	#2 x 1"	Phillips	Steel	3395	1 K
	Bit	#2 Reduced Shank x 1"	Phillips	Steel	3400	1 K
	Bit	#2 x 1"	Pozi	Steel	3407	1 K
	Bit	#2 Reduced Head x 1"	Pozi	Steel	3408	1 K
	Bit	#1 Reduced Head x 1"	Square	Steel	3402	1 K
	Bit	#1 x 1"	Square	Steel	3403	1 K
	Bit	#2 Reduced Head x 1"	Square	Steel	3404	1 K
	Bit	#2 x 1"	Square	Steel	3405	1 K
	Bit	#2 x 3"	Square	Steel	3406	1 K
	Bit	#2 x 6"	Square	Steel	S2-6DRIVE	.5 K
	Bit Holder	Two-Piece Magnetic	1/4" Hex	Steel	3410	.25 K
	Bit Holder	One-Piece Magnetic SS	1/4" Hex	Steel	3411	.25 K
	Bit Holder	Super Magnetic	1/4" Hex	Steel	3412	.25 K
	Screwdriver	4" Shaft. Hardened & Magnetized Tip.	#2 Pozi	-	HR-SCREW-DRIVER	1

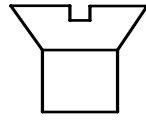
# Hardware Attachment Screws

\*NO BROKEN CARTONS. FULL CARTONS ONLY

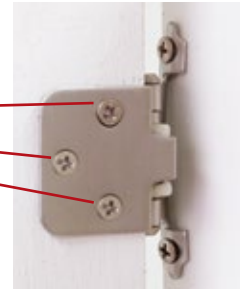
## Hinges, Plates, & Brackets



Type 17



FLAT HEAD



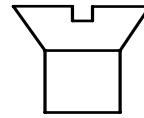
Description	Diameter x Length	Finish	Drive	Tip	Part #	Qty
Coarse Thread	#5 x 1/2"	Zinc	Phillips	-	5X120	35 K
Coarse Thread	#5 x 1/2"	Zinc	Phillips	-	5X120-B	10 K
Coarse Thread	#5 x 1/2"	Zinc	Phillips	-	5X120-2	2 K
Coarse Thread	#5 x 5/8"	Zinc	Phillips	-	5X580	30 K
Coarse Thread	#5 x 5/8"	Zinc	Phillips	-	5X580-B	7.5 K
Coarse Thread	#5 x 5/8"	Zinc	#1 Square	Type 17	5X580Q-B	7.5 K
Coarse Thread	#5 x 5/8"	Nickel	Phillips	-	5X581-B	7.5 K
Coarse Thread	#5 x 5/8"	PB	Phillips	-	5X583-B	7.5 K
Coarse Thread	#6 x 1/2"	Zinc	Phillips	-	6X120	25 K
Coarse Thread	#6 x 1/2"	Zinc	Phillips	-	6X120-B	6 K
Coarse Thread	#6 x 1/2"	Zinc	#2 Square	-	6X120Q	25 K
Coarse Thread	#6 x 1/2"	Zinc	#2 Square	-	6X120Q-B	6 K
Coarse Thread	#6 x 1/2"	AB	Phillips	-	6X122	25 K
Coarse Thread	#6 x 1/2"	Nickel	Phillips	-	6X121	25 K
Coarse Thread	#6 x 1/2"	Nickel	Phillips	-	6X121-B	6 K
Coarse Thread	#6 x 5/8"	Zinc	Phillips	-	6X580	25 K
Coarse Thread	#6 x 5/8"	Zinc	Phillips	-	6X580-B	6 K
Coarse Thread	#6 x 5/8"	Zinc	Phillips	-	6X580-2	2 K
Coarse Thread	#6 x 5/8"	Zinc	Phillips	Type 17	6X5800	25 K
Coarse Thread	#6 x 5/8"	Zinc	Phillips	Type 17	6X5800-B	6 K
Coarse Thread	#6 x 5/8"	Zinc	Phillips	Type 17	6X5800-2	2 K

# Hardware Attachment Screws

\*NO BROKEN CARTONS. FULL CARTONS ONLY

**Screws &  
Fasteners**

## Hinges, Plates, & Brackets



FLAT HEAD

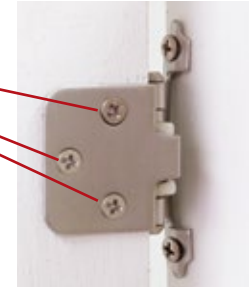
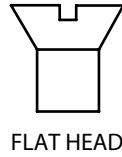
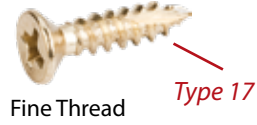
Description	Diameter x Length	Finish	Drive	Tip	Part #	Qty
Coarse Thread	#6 x 5/8"	Zinc	#2 Square	-	6X580Q	25 K
Coarse Thread	#6 x 5/8"	Zinc	#2 Square	-	6X580Q-B	6 K
Coarse Thread	#6 x 5/8"	Zinc	#2 Square	Type 17	6X58017Q	25 K
Coarse Thread	#6 x 5/8"	Zinc	#2 Square	Type 17	6X58017Q-B	6 K
Coarse Thread	#6 x 5/8"	AB	Phillips	-	6X582	25 K
Coarse Thread	#6 x 5/8"	AB	Phillips	-	6X582-B	6 K
Coarse Thread	#6 x 5/8"	AB	Phillips	Type 17	6X5802-B	6 K
Coarse Thread	#6 x 5/8"	Nickel	Phillips	-	6X581	25 K
Coarse Thread	#6 x 5/8"	Nickel	Phillips	-	6X581-B	6 K
Coarse Thread	#6 x 5/8"	Nickel	Phillips	Type 17	6X5801	25 K
Coarse Thread	#6 x 5/8"	Nickel	Phillips	Type 17	6X5801-B	6 K
Coarse Thread	#6 x 5/8"	White	Phillips	-	6X585-B	6 K
Coarse Thread	#6 x 5/8"	Almond	Phillips	-	6X588-B	6 K
Coarse Thread	#6 x 5/8"	Black	#2 Square	Type 17	6X580QB-BLK	.5 K
Coarse Thread	#6 x 3/4"	Zinc	Phillips	-	6X3400	20 K
Coarse Thread	#6 x 3/4"	Zinc	Phillips	-	6X3400-2	2 K
Coarse Thread	#6 x 3/4"	Zinc	Phillips	-	6X3400-B	5 K
Coarse Thread	#6 x 3/4"	Zinc	#2 Square	-	6X340Q	20 K
Coarse Thread	#6 x 3/4"	Zinc	#2 Square	-	6X340Q-B	5 K
Coarse Thread	#6 x 3/4"	Zinc	#2 Square	-	6X340Q-2	2 K
Coarse Thread	#6 x 3/4"	Zinc	Phillips	Type 17	6X3410	20 K
Coarse Thread	#6 x 3/4"	Zinc	Phillips	Type 17	6X3410-B	5 K
Coarse Thread	#6 x 3/4"	Zinc	#2 Square	Type 17	6X34017Q-B	5 K
Coarse Thread	#6 x 3/4"	AB	Phillips	-	6X3402	20 K
Coarse Thread	#6 x 3/4"	AB	Phillips	-	6X3402-B	5 K



# Hardware Attachment Screws

\*NO BROKEN CARTONS. FULL CARTONS ONLY

## Hinges, Plates, & Brackets

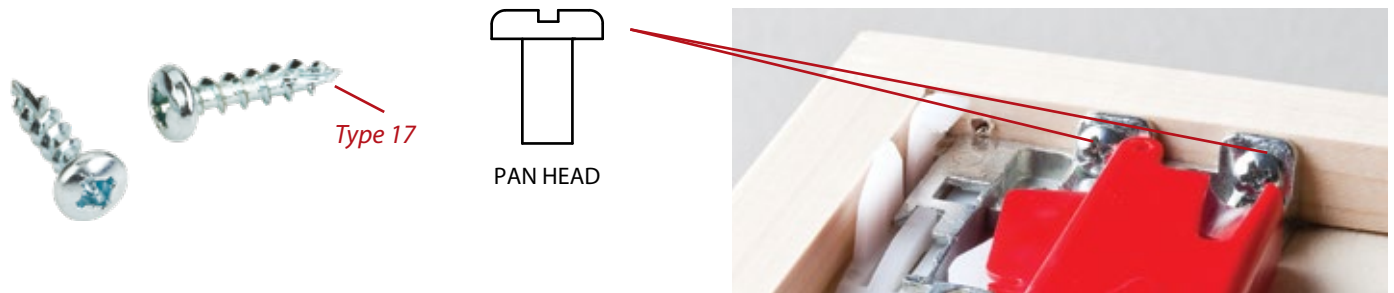


Description	Diameter x Length	Finish	Drive	Tip	Part #	Qty
Coarse Thread	#6 x 3/4"	Nickel	Phillips	-	6X3401	20 K
Coarse Thread	#6 x 3/4"	Nickel	Phillips	-	6X3401-B	5 K
Coarse Thread	#6 x 3/4"	Almond	Phillips	Type 17	6X3414-B	5 K
Coarse Thread	#6 x 3/4"	DACM	Phillips	-	6X3406-B	5 K
Coarse Thread	#6 x 3/4"	White	Phillips	-	6X3405-B	5 K
Coarse Thread	#6 x 3/4"	White	Phillips	Type 17	6X3415-B	5 K
Coarse Thread	#6 x 1"	Zinc	Phillips	-	6X10	20 K
Coarse Thread	#7 x 5/8"	Zinc	Phillips	-	7X580	20 K
Coarse Thread	#7 x 5/8"	Zinc	Phillips	-	7X580-B	5 K
Coarse Thread	#7 x 5/8"	Nickel	Phillips	-	7X581-B	5 K
Coarse Thread	#8 X 5/8"	Zinc	Phillips	-	8X5800	15 K
Coarse Thread	#8 X 5/8"	Zinc	Phillips	-	8X5800-B	3.5 K
Coarse Thread	#8 X 5/8"	Zinc	Phillips	Type 17	8X58170-B	3.5 K
Coarse Thread	#8 X 5/8"	AB	Phillips	-	8X5802-B	3.5 K
Coarse Thread	#8 X 5/8"	White	Phillips	-	8X5805-B	3.5 K
Coarse Thread	#8 X 3/4"	Zinc	Phillips	-	8X340	12 K
Coarse Thread	#8 X 3/4"	Zinc	Phillips	-	8X340-B	3 K
Coarse Thread	#8 X 3/4"	Zinc	Phillips	Type 17	8X34170	12 K
Coarse Thread	#8 X 3/4"	Zinc	Phillips	Type 17	8X34170-B	3 K
Coarse Thread	#8 X 3/4"	Almond	Phillips	-	8X344-B	3 K
Coarse Thread	#8 X 3/4"	DACM	Phillips	-	8X346-B	3 K
Coarse Thread	#8 X 3/4"	Nickel	Phillips	Type 17	8X34171-B	3 K

# Hardware Attachment Screws

\*NO BROKEN CARTONS. FULL CARTONS ONLY

## Misc. Hardware

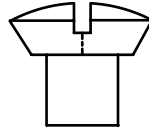


Description	Diameter x Length	Finish	Drive	Tip	Part #	Qty
Coarse Thread	#6 x 7/16"	Zinc	Phillips	-	6X7160	25 K
Coarse Thread	#6 x 7/16"	Zinc	Phillips	-	6X7160-B	6 K
Coarse Thread	#6 x 1/2"	Zinc	Phillips	Type 17	6X1200	25 K
Coarse Thread	#6 x 1/2"	Zinc	Phillips	Type 17	6X1200-B	6 K
Coarse Thread	#6 x 1/2"	Zinc	Phillips	Type 17	6X1200-2	2 K
Coarse Thread	#6 x 1/2"	Zinc	#1 Square	Type 17	6X120017Q-B	6 K
Coarse Thread	#6 x 1/2"	Nickel	Phillips	-	6X1205-B	6 K
Coarse Thread	#6 x 1/2"	Black	#1 Square	Type 17	6X1200QB-B	6 K
Coarse Thread	#6 x 5/8"	Zinc	Phillips	-	6X2580	20 K
Coarse Thread	#6 x 5/8"	Zinc	Phillips	-	6X2580-B	6 K
Coarse Thread	#6 x 5/8"	Zinc	#1 Square	Type 17	6X258017Q-B	6 K
Coarse Thread	#6 x 5/8"	Zinc	Combo	Type 17	6X258017CH	20 K
Coarse Thread	#6 x 3/4"	Zinc	Phillips	-	6X2340-B	1 K
Coarse Thread	#8 x 5/8"	Zinc	Phillips	-	8X580	14 K
Coarse Thread	#8 x 5/8"	Zinc	Phillips	-	8X580-B	3.5 K
Coarse Thread	#8 x 3/4"	Zinc	Phillips	Type 17	8X3400	11 K
Coarse Thread	#8 x 3/4"	Zinc	Phillips	Type 17	8X3400-B	2.5 K
Coarse Thread	#8 x 3/4"	Zinc	#2 Square	Type 17	8X3400Q	11 K
Coarse Thread	#8 x 3/4"	Zinc	#2 Square	Type 17	8X3400Q-B	2.5 K
Coarse Thread	#10 x 3/4"	Zinc	Phillips	Type 17	10X340-B	2 K

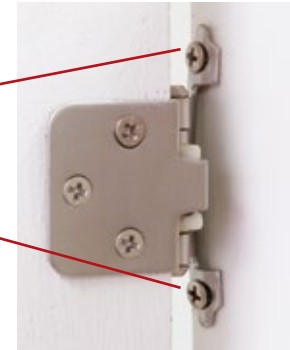
# Hardware Attachment Screws

\*NO BROKEN CARTONS. FULL CARTONS ONLY

## Furniture Hardware



OVAL HEAD

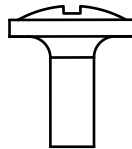


Description	Diameter x Length	Finish	Drive	Part #	Qty
Coarse Thread	#5 x 5/8"	PB	Phillips	5X586	30 K
Coarse Thread	#6 x 5/8"	AB	#2 Square	6X585Q	25 K

## Compact Hinges



Type 17



PAN WASHER HEAD

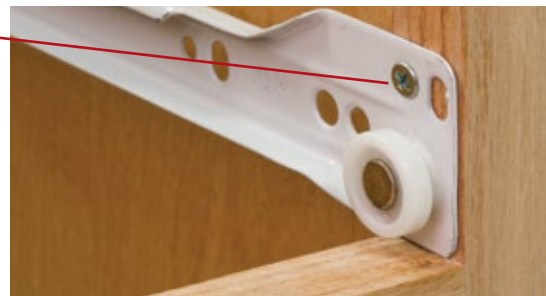
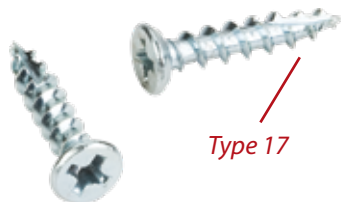


Description	Diameter x Length	Finish	Drive	Tip	Part #	Qty
Coarse Thread	#7 x 5/8"	Zinc	Combo	Type 17	7X0580WCQ	18 K
Coarse Thread	#7 x 5/8"	Zinc	Combo	Type 17	7X0580WCQ-2	2 K
Coarse Thread	#8 x 5/8"	Zinc	#2 Square	Type 17	8X058017WCQ-B	3.5 K
Coarse Thread	#8 x 3/4"	Zinc	#2 Square	Type 17	8X034017WCQ	11 K
Coarse Thread	#8 x 3/4"	Zinc	#2 Square	Type 17	8X034017WCQ-B	3 K
Coarse Thread	#8 x 1-1/4"	Clear Brown Wax	#2 Square	-	8X114917WCQ	6 K
Coarse Thread	#8 x 2"	Clear Brown Wax	#2 Square	-	8X200917WCQ	3.5 K
Coarse Thread	#8 x 2-1/2"	Clear Brown Wax	#2 Square	-	8X212917WCQ	2.5 K
Coarse Thread	#9 x 3"	Clear Brown Wax	#2 Square	-	9X300917WCQ	2 K

# Hardware Attachment Screws

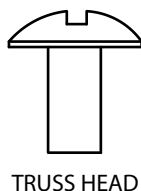
\*NO BROKEN CARTONS. FULL CARTONS ONLY

## Epoxy Slides



Description	Diameter x Length	Finish	Drive	Tip	Part #	Qty
Coarse Thread	#6 x 1/2"	Zinc	Phillips	-	6U121	25 K
Coarse Thread	#6 x 1/2"	Zinc	Phillips	-	6U121-B	6 K
Coarse Thread	#6 x 5/8"	Zinc	Phillips	-	6U581	20 K
Coarse Thread	#6 x 5/8"	Zinc	Phillips	-	6U581-B	6 K
Coarse Thread	#6 x 5/8"	Zinc	#1 Square	Type 17	6U581Q-B	6 K
Coarse Thread	#6 x 3/4"	Zinc	Phillips	Type 17	6X340	20 K
Coarse Thread	#6 x 3/4"	Zinc	Phillips	Type 17	6X340-B	5 K
Coarse Thread	#6 x 1/2"	Zinc	Phillips	-	6X1120Q	25 K
Coarse Thread	#8 x 7/16"	Zinc	Phillips	-	8X7160	20 K
Coarse Thread	#8 x 7/16"	Zinc	Phillips	-	8X7160-B	5 K

## Ball Bearing Slides

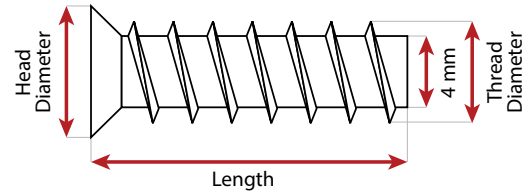
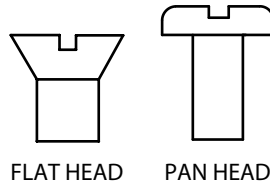


Description	Diameter x Length	Finish	Drive	Part #	Qty
Coarse Thread	#8 x 7/16"	Zinc	Phillips	8X7160-2	2 K
Course Thread	#8 x 7/16"	Zinc	Phillips	8x7160-500-K	.5 K
Coarse Thread	#8 x 7/16"	Zinc	Combo	8X7160CQ	20 K
Coarse Thread	#8 x 7/16"	Zinc	Combo	8X7160CQ-B	5 K
Coarse Thread	#8 x 7/16"	Black	Combo	8X7160CQB	20 K

# Hardware Attachment Screws

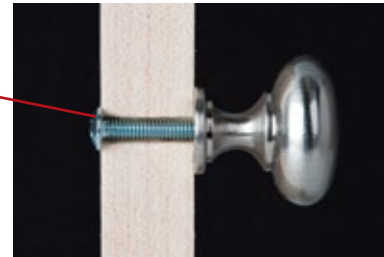
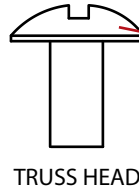
\*NO BROKEN CARTONS. FULL CARTONS ONLY

## European Drawer Slides



Description	Thread Diameter	Head Diameter x Length	Finish	Drive	Part #	Qty
Flat Head Euro	6.3 mm	7 mm x 9 mm	Nickel	Pozi	6021-B	4.5 K
Flat Head Euro	6.3 mm	7 mm x 10.5 mm	Nickel	Pozi	6041-B	4.5 K
Flat Head Euro	6.3 mm	7 mm x 10.5 mm	Nickel	#2 Square	6041Q-B	4.5 K
Flat Head Euro	6.3 mm	7 mm x 11.5 mm	Nickel	Pozi	6051-B	4 K
Flat Head Euro	6.3 mm	7 mm x 13 mm	Nickel	Pozi	6061-B	3.5 K
Flat Head Euro	6.3 mm	7 mm x 13 mm	Nickel	#2 Square	6061Q-B	3.5 K
Flat Head Euro	6.3 mm	7 mm x 14.5 mm	Nickel	Pozi	6065-B	2.5 K
Flat Head Euro	6.3 mm	7.5 mm x 10 mm	Nickel	Phillips	7031-B	4 K
Flat Head Euro	6.3 mm	7.5 mm x 13 mm	Nickel	Phillips	7061-B	3 K
Pan Head Euro	6.3 mm	9 mm x 13.2 mm	Nickel	Phillips	1005194-B	2.5 K

## Knobs & Pulls



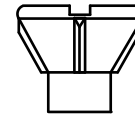
Description	Diameter x Length	Finish	Drive	Part #	Qty
Machine	8-32 x 5/8"	Zinc	Phillips	32X0580-B	2.5 K
Machine	8-32 x 3/4"	Zinc	Combo	32X0340-B	1.5 K
Machine	8-32 x 7/8"	Zinc	Combo	32X0780-B	2.5 K
Machine	8-32 x 1"	Zinc	Combo	32X1001-B	1.5 K
Machine	8-32 x 1-1/8"	Zinc	Combo	32X1181-B	1 K
Machine	8-32 x 1-1/4"	Zinc	Combo	32X1141-B	1 K
Machine	8-32 x 1-3/8"	Zinc	Phillips	32X1381-B	1 K
Machine	8-32 x 1-1/2"	Zinc	Combo	32X1121-B	1 K
Machine	8-32 x 1-5/8"	Zinc	Combo	32X1581-B	1 K
Machine	8-32 x 1-3/4"	Zinc	Combo	32X1341-B	1 K
Machine	8-32 x 1-7/8"	Zinc	Combo	32X1781-B	1 K
Break Away Machine	8-32 x 1-3/4"	Zinc	Combo	32BREAK	4 K
Break Away Machine	8-32 x 1-3/4"	Zinc	Combo	32BREAK-B	1 K
Break Away Machine	M4 x 45 mm	Zinc	Combo	M4BREAK	4 K

# Cabinet Assembly Screws

\*NO BROKEN CARTONS. FULL CARTONS ONLY

**Screws & Fasteners**

## Flat Head with Nib



NIB HEAD

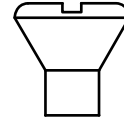
Description	Diameter x Length	Finish	Drive	Tip	Part #	Qty
Coarse Thread	#8 x 1"	Clear Brown Wax	Phillips	Type 17	8X100917	10 K
Coarse Thread	#8 x 1"	Clear Brown Wax	#2 Square	Type 17	8X100917Q	10 K
Coarse Thread	#8 x 1"	Zinc	Combo	Type 17	8X1000	10 K
Coarse Thread	#8 x 1"	Zinc	Combo	Type 17	8X1000-2	2 K
Coarse Thread	#8 x 1-1/8"	Zinc	Combo	Type 17	8X1180	8 K
Coarse Thread	#8 x 1-1/4"	Clear Brown Wax	Phillips	Type 17	8X114917	8 K
Coarse Thread	#8 x 1-1/4"	Clear Brown Wax	#2 Square	Type 17	8X114917Q	8 K
Coarse Thread	#8 x 1-1/4"	Clear Brown Wax	#2 Square	Type 17	8X114917Q-2	2 K
Coarse Thread	#8 x 1-1/4"	Zinc	Combo	Type 17	8X1140	8 K
Coarse Thread	#8 x 1-1/4"	Zinc	Combo	Type 17	8X1140-2	2 K
Coarse Thread	#8 x 1-1/2"	Clear Brown Wax	Phillips	Type 17	8X112917	6 K
Coarse Thread	#8 x 1-1/2"	Clear Brown Wax	#2 Square	Type 17	8X112917Q	6 K
Coarse Thread	#8 x 1-1/2"	Zinc	Combo	Type 17	8X1120	6 K
Coarse Thread	#8 x 1-5/8"	Clear Brown Wax	Phillips	Type 17	8X158917	5 K
Coarse Thread	#8 x 1-5/8"	Clear Brown Wax	#2 Square	Type 17	8X158917Q	5 K
Coarse Thread	#8 x 1-5/8"	Zinc	Combo	Type 17	8X1580	5 K
Coarse Thread	#8 x 1-3/4"	Clear Brown Wax	#2 Square	Type 17	8X134917Q	5 K
Coarse Thread	#8 x 1-3/4"	Zinc	Combo	Type 17	8X1340	5 K
Coarse Thread	#8 x 2"	Clear Brown Wax	Phillips	Type 17	8X200917	4 K
Coarse Thread	#8 x 2"	Clear Brown Wax	#2 Square	Type 17	8X200917Q	4 K
Coarse Thread	#8 x 2"	Zinc	Combo	Type 17	8X2000	4.3 K
Coarse Thread	#9 x 2-1/4"	Clear Brown Wax	#2 Square	Type 17	9X214917Q	2.5 K
Coarse Thread	#9 x 2-1/2"	Clear Brown Wax	#2 Square	Type 17	9X212917Q	2.5 K
Coarse Thread	#9 x 2-1/2"	Zinc	Combo	Type 17	9X2120	2.5 K
Coarse Thread	#9 x 3"	Clear Brown Wax	Phillips	Type 17	9X300917	2.3 K
Coarse Thread	#9 x 3"	Clear Brown Wax	#2 Square	Type 17	9X300917Q	2.3 K
Coarse Thread	#9 x 3"	Zinc	Combo	Type 17	9X3000	2.3 K



# Cabinet Assembly/Installation Screws

\*NO BROKEN CARTONS. FULL CARTONS ONLY

## Trim Head Finishing



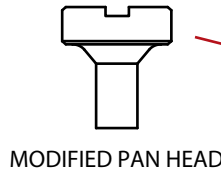
TRIM HEAD

Description	Diameter x Length	Finish	Drive	Tip	Part #	Qty
Coarse Thread	#6 x 1-5/8"	Black Plated	#1 Square	-	6X158	5 K
Coarse Thread	#6 x 2-1/4"	Black Plated	#1 Square	-	6X214	5 K

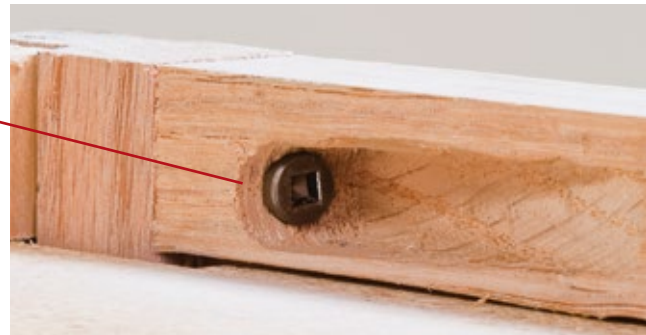
## Pocket Hole/Face Frame



Type 17

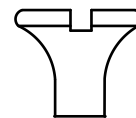


MODIFIED PAN HEAD



Description	Diameter x Length	Finish	Drive	Tip	Part #	Qty
Coarse Thread	#6 x 1-1/4"	Clear Brown Wax	#2 Square	Type 17	6X1141	8 K
Coarse Thread	#7 x 1-1/2"	Clear Brown Wax	#2 Square	Type 17	7X11504	7 K
Fine Thread	#6 x 1-1/4"	Clear Brown Wax	#2 Square	Type 17	6X1140	8 K
Fine Thread	#6 x 1-1/2"	Clear Brown Wax	#2 Square	Type 17	6X1120	7 K

## Bugle Head Drywall



BUGLE HEAD

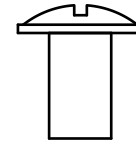
Description	Diameter x Length	Finish	Drive	Tip	Part #	Qty
Coarse Thread	#6 x 1"	Black Plated	Phillips	-	6110BUG	10 K
Coarse Thread	#6 x 1-1/4"	Black Plated	Phillips	-	6114BUG	8 K
Coarse Thread	#6 x 1-5/8"	Black Plated	Phillips	-	6158BUG	5 K
Coarse Thread	#6 x 2"	Black Plated	Phillips	-	6200BUG	4.5 K
Coarse Thread	#8 x 2-1/2"	Black Plated	Phillips	-	8200BUG	2.5 K
Coarse Thread	#8 x 3"	Black Plated	Phillips	-	8300BUG	2.3 K
Coarse Thread	#8 x 3"	Zinc	#2 Square	-	8X300	2.3 K

# Cabinet Installation Screws

\*NO BROKEN CARTONS. FULL CARTONS ONLY

**Screws & Fasteners**

## Standard Washer Head



WASHER HEAD

Description	Diameter x Length	Finish	Drive	Tip	Part #	Qty
Coarse Thread	#8 x 1/2"	Black	#2 Square	Type 17	8X012017QB	15 K
Coarse Thread	#8 x 3/4"	Black	#2 Square	Type 17	8X034017QB	11 K
Coarse Thread	#8 x 1-1/8"	Zinc	Combo	Type 17	8X118017WCH	5 K
Coarse Thread	#8 x 1-1/4"	Zinc	Combo	Type 17	8X114017WCH	4 K
Coarse Thread	#8 x 1-1/4"	Black	#2 Square	Type 17	8X114017QB	6 K
Coarse Thread	#8 x 1-1/2"	Zinc	Combo	Type 17	8X112017WCH	5.5K
Coarse Thread	#8 x 2"	Zinc	Combo	Type 17	8X200017WCH	3.5K
Coarse Thread	#8 x 2-1/2"	Zinc	Combo	Type 17	8X25017WCH	2.5 K
Coarse Thread	#8 x 2-1/2"	Black	#2 Square	Type 17	8X25017QB	2.5 K
Coarse Thread	#8 x 3"	Zinc	Combo	Type 17	8X3000W	2 K
Coarse Thread	#8 x 3"	White	Combo	Type 17	8X3000WH	2 K
Coarse Thread	#8 x 3"	Black	#2 Square	Type 17	8X300017QB	2 K
Coarse Thread	#10 x 3"	Clear Brown Wax	Combo	Type 17	10X3000W	1.6 K
Coarse Thread	#10 x 3"	White	Combo	Type 17	10X3000WH	1.6 K

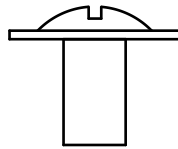
# Cabinet Installation Screws

\*NO BROKEN CARTONS. FULL CARTONS ONLY

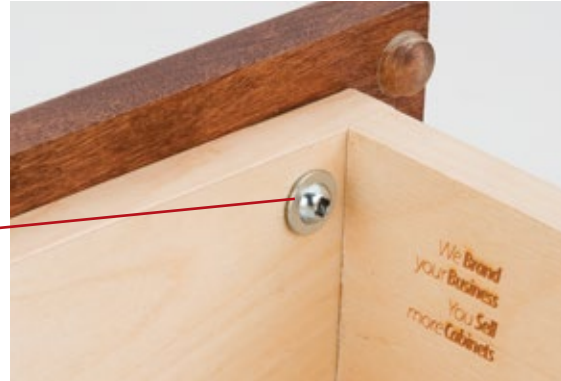
## Drawer Front Screws



Type 17



LARGE WASHER HEAD



Description	Diameter x Length	Finish	Drive	Tip	Part #	Qty
Coarse Thread	#8 x 7/8"	Zinc	Phillips	-	8X1078W	6 K
Coarse Thread	#8 x 1"	Zinc	Phillips	-	8X1000W	7 K
Coarse Thread	#8 x 1"	Zinc	#2 Square	Type 17	8X100017WQ	7 K
Coarse Thread	#8 x 1-1/8"	Zinc	Phillips	-	8X1180W	5 K
Coarse Thread	#8 x 1-1/8"	Zinc	#2 Square	Type 17	8X118017WQ	5 K
Coarse Thread	#8 x 1-1/8"	Zinc	#2 Square	Type 17	8X118017WQ-2	2 K
Coarse Thread	#8 x 1-1/4"	Zinc	Phillips	-	8X1140W	5 K
Coarse Thread	#8 x 1-1/4"	Zinc	#2 Square	Type 17	8X114017WQ	5 K

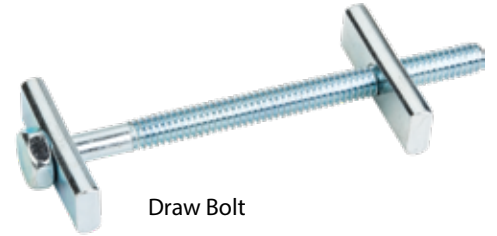
# Specialty Screws

\*NO BROKEN CARTONS. FULL CARTONS ONLY

## Specialty Screws



Confirmat Flat Head Screw



Draw Bolt



Connector Bolt



Hollow Wall Anchor



Countersunk Finishing Washer

Description	Diameter x Length	Finish	Drive	Tip	Part #	Qty
Confirmat Flat Head	7 mm x 50 mm	Zinc	Pozi	Blunt	HR7X50-B-K	.5 K
Confirmat Flat Head	7 mm x 50 mm	Zinc	Pozi	Pointed	HR7X50P-B-K	.5 K
Draw Bolt	7/16" Hex x 3-5/8"	Zinc	Hex	-	322	.45 K
Connector Bolt	5 mm x 35-45 mm	Nickel	Pozi	-	565NP35-B	.6 K
Wall Anchor	#6-#8 x 3/8"-5/8"	Zinc	Phillips	-	8X158ZN-K	.5 K
Countersunk Finishing Washer	For #6-#7 Screw	Nickel	-	-	8FW-B	7.5 K
Countersunk Finishing Washer	For #8-#9 Screw	Nickel	-	-	10FW-B	6 K
Connector Bolt	8 mm x 31-41 mm	Nickel	Pozi	-	555NP31-B	.4 K

# Shelf Supports Angled

## 5 mm Pin Diameter

- » Solid steel construction
- » 3/4" long arm
- » Available in cartons of 1000 pcs



	<i>Standard</i>	<i>With 1/8" Hole</i>	<i>With Brown Sleeve</i>	<i>With White Sleeve</i>	<i>With Clear Sleeve</i>	<i>With Diamond Hole</i>
Antique Brass	1706AB	1707AB	1708AB	—	—	—
Antique Copper	—	1707AC	1708AC	—	—	1710AC
Black	—	1707BLK	—	—	—	—
Bright Nickel	1706BN	1707BN	1708BN	1708WBN	1708CBN	1710BN
Polished Brass	1706PB	1707PB	—	—	—	—
	1000 pcs/ctn*	1000 pcs/ctn*	1000 pcs/ctn*	1000 pcs/ctn*	1000 pcs/ctn*	1000 pcs/ctn*

*\*NO BROKEN CARTONS. FULL CARTONS ONLY*

## 1/4" Pin Diameter

- » Solid steel construction
- » 3/4" long arm
- » Available in cartons of 1000 pcs



	<i>Standard</i>	<i>With 1/8" Hole</i>	<i>With Brown Sleeve</i>	<i>With Brown Sleeve &amp; 7/8" Long Arm</i>
Antique Brass	1609AB	1610AB	—	—
Antique Copper	—	1610AC	1611AC	1915AC
Bright Nickel	1609BN	1610BN	—	—
Polished Brass	—	1610PB	—	—
	1000 pcs/ctn*	1000 pcs/ctn*	1000 pcs/ctn*	1000 pcs/ctn*

*\*NO BROKEN CARTONS. FULL CARTONS ONLY*

### 3 mm Pin Diameter



**Spoon**

Bright Nickel	1103BN
---------------	--------

1000 pcs/box\*  
10,000 pcs/ctn

*\*NO BROKEN BOXES. FULL BOXES ONLY*

- » Solid steel construction
- » Available in boxes of 1000 pcs and 10,000 pcs master carton

### 5 mm Pin Diameter



**Spoon**

**Spoon with  
Anti-Slide Barb**

**Grommet  
5.5 mm drill Ø**

Antique Brass	1306AB	—	1283AB
Antique Copper	1306AC	—	—
Black	1306BLK	—	1283BLK
Bright Nickel	1306BN	1306BN-2	1283BN
Polished Brass	1306PB	—	1283PB

1000 pcs/box\*  
6000 pcs/ctn

1000 pcs/box\*  
6000 pcs/ctn

1000 pcs/box\*  
5000 pcs/ctn

*\*NO BROKEN BOXES. FULL BOXES ONLY*

- » Solid steel construction
- » Anti-slide barb cuts into shelf and prevents shelf movement (1306BN-2)
- » Supports available in boxes of 1000 pcs and 6000 pcs master carton
- » Grommets available in boxes of 1000 pcs and 5000 pcs master carton

### 1/4" Pin Diameter



**Spoon**

**Grommet  
7.5 mm drill Ø**

Antique Brass	1206AB	1284AB
Antique Copper	1206AC	—
Black	1206BLK	1284BLK
Bright Nickel	1206BN	1284BN
Polished Brass	1206PB	1284PB

1000 pcs/box\*  
6000 pcs/ctn

1000 pcs/box\*  
5000 pcs/ctn

*\*NO BROKEN BOXES. FULL BOXES ONLY*

- » Solid steel construction
- » Supports available in boxes of 1000 pcs and 6000 pcs master carton
- » Grommets available in boxes of 1000 pcs and 5000 pcs master carton



# Shelf Supports

## Standards & Clips



- » Single track standards fit in 5/8" wide groove
- » Standards quickly install using nails or screws (not included)
- » Available in a variety of sizes which can also be cut to length
- » Clips snap into place in 3/8" increments for a secure fit and can be easily removed and reattached
- » #5 or #6 flat head screw recommended for installation

	<i>Standard Clip Builder Pack</i>	<i>Standard Clip Retail Pack</i>	<i>48" Standard</i>	<i>60" Standard</i>	<i>72" Standard</i>
Brass	—	1460BR-R	—	—	—
Brown	1460AC	1460AC-R	TRK01-48BRN	TRK01-60BRN	TRK01-72BRN
Nickel/Zinc	1460NI	1460ZN-R	TRK01-48ZN	TRK01-60ZN	TRK01-72ZN
White	1460WH	1460WH-R	TRK01-48WH	TRK01-60WH	TRK01-72WH
	1000 pcs/ctn*	20 pcs/pack 100 pks/ctn*	20 pcs/ctn*	20 pcs/ctn*	20 pcs/ctn*

*\*NO BROKEN CARTONS. FULL CARTONS ONLY*

## Zinc Support - 5 mm Pin



*Support with 5 mm  
Shelf Hold Pin*

Zinc	1545ZN
	1000 pcs/box* 5000 pcs/ctn

*\*NO BROKEN BOXES. FULL BOXES ONLY*

- » Solid zinc die cast construction
- » Available in 1000 pcs boxes and 5000 pcs master carton

## Plastic Supports - 5 mm Pin



*Support*

Almond	1438ALM-K
Brown	1438BRN-K
Clear	1438CL-K
White	1438WH-K

100 pcs/bag\*  
1000 pcs/box

*\*NO BROKEN BAGS. FULL BAGS ONLY*

- » Synthetic injection molded plastic with steel pin
- » Available in 100 pcs bags and 1000 pcs boxes

# Shelf Supports

## 5 mm Pins



	16 mm Duplo	24 mm Straight	30 mm Straight	45 mm Straight
Antique Copper	—	—	—	—
Bright Nickel	—	1402BN	418BN	1400BN
Zinc	1401ZN	1402ZN	—	—
	1000 pcs/ctn*	1000 pcs/ctn*	1000 pcs/ctn*	1000 pcs/ctn*

\*NO BROKEN CARTONS. FULL CARTONS ONLY

- » Solid steel construction
- » Available in cartons of 1000 pcs

## Plastic Shelf Locks



- » Highly durable plastic construction
- » Available in a variety of pin diameters and shelf thickness combinations

	5 mm Pin 1/2" Shelf	5 mm Pin 5/8" Shelf	5 mm Pin 3/4" Shelf	1/4" Pin 5/8" Shelf	1/4" Pin 3/4" Shelf
Clear	7703CL	7704CL	7705CL	8704CL	8705CL
	1750 pcs/box* 3500 pcs/ctn	2000 pcs/box* 4000 pcs/ctn	2500 pcs/box* 5000 pcs/ctn	1750 pcs/box* 3500 pcs/ctn	1750 pcs/box* 3500 pcs/ctn

\*NO BROKEN BOXES. FULL BOXES ONLY

## Heavy-Duty Plastic Shelf Lock







	5 mm Double Pin 3/4" or 1" Shelf
Clear	7706CL
	2000 pcs/ctn*

\*NO BROKEN CARTONS. FULL CARTONS ONLY

- » 500 lb. weight rating per set of 4
- » Highly durable plastic construction
- » Fits 3/4" or 1" shelf thickness
- » Two pins are 32 mm spaced
- » ANSI/BHMA A156.9-2003 Grade 1

## Door Bumpers

		Height	Diameter	Material	Color
	HR7438-K 320 pcs/sheet 20,000 pcs/ctn	3/32"	3/8"	Rubber	Black
	85303CL-K 200 pcs/sheet 5000 pcs/ctn	5 mm	1/2"	Transparent Polyurethane	Clear
	85101CL-K 200 pcs/sheet 5000 pcs/ctn	3.5 mm	7/16"	Transparent Polyurethane	Clear
	85202CL-K 450 pcs/sheet 5400 pcs/ctn	2.2 mm	5/16"	Transparent Polyurethane	Clear



- » Quick and versatile installation using adhesive backing
- » Can be used on a wide variety of doors and drawers
- » 85303CL specially designed for cabinet hinges; soft-durometer two-stage impact resistance greatly reduces noise
- » Sold by the sheet

## Locks

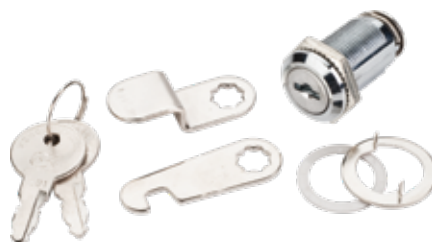


**7/8" Zinc Die Cast Drawer Lock**

Brass Keyed Alike	1060BR
Chrome Keyed Different	1060CH

1 pc/bag  
250 pcs/ctn

- » Standard 7/8" (22 mm) length with straight cam
- » Screws mount on 35 mm center
- » 180° angle of rotation
- » 2 keys included per bag
- » Master keying not available



**Zinc Die Cast Drawer Lock**

	1-1/8"	1-1/2"
Chrome Keyed Alike	68639CH	78739CH
Chrome Keyed Different	68639CHKD	78739CHKD

1 pc/bag  
200 pcs/ctn

- » Fork cam and 3/8" offset cam for flush applications
- » Body mounts with hex nut and prong washer into 3/4" (19 mm) diameter hole
- » 90° angle of rotation
- » 2 keys included per bag
- » For plastic, metal, or wood applications
- » Master keying not available



**Strike Plate for Cam Locks**

Bright Nickel	7000201BN
---------------	-----------

**Recommended screw:** #8 washer head

500 pcs/ctn

- » Long-lasting steel construction
- » Screw-on mount

# Catches

## Magnetic Catches



	<i>Standard-Duty Polybagged</i>	<i>Heavy-Duty Polybagged</i>	<i>Heavy-Duty Retail Pack</i>	<i>Heavy-Duty Bulk Pack</i>
Brown/Bronze	50635	50632	50632-R	50636
White/Polished Brass	—	50633	—	50634
White/White	—	50639	—	—
White/Zinc	—	50631	50631-R	50630
<b>Pack Contents</b>	<i>1 strike plate, 1 catch, 1pc #5 x 5/8" flat head, 2pcs #6 x 3/4" pan head</i>	<i>1 strike plate, 1 catch, 1pc #5 x 5/8" flat head, 2pcs #6 x 3/4" pan head</i>	<i>1 strike plate, 1 catch, 1pc #5 x 5/8" flat head, 2pcs #6 x 3/4" pan head</i>	
	100 pks/box 1000 pks/master	100 pks/box 1000 pks/master	65 pks/box 520 pks/master	1000 catches 1000 strike plates 1000 flat head 2000 pan head



	<i>Heavy-Duty Polybagged</i>	<i>Heavy-Duty Retail Packed</i>	<i>Extra Heavy-Duty Polybagged</i>	<i>Extra Heavy-Duty Bulk Pack</i>
Brown/Bronze	50622	50622-R	50652	—
White/Polished Brass	50623	—	—	—
White/Zinc	50621	50621-R	50651	50650
<b>Pack Contents</b>	<i>2 strike plates, 1 catch, 2pcs #5 x 5/8" flat head, 2pcs #6 x 3/4" pan head</i>	<i>2 strike plates, 1 catch, 2pcs #5 x 5/8" flat head, 2pcs #6 x 3/4" pan head</i>	<i>1 strike plate, 1 catch, 1pc #5 x 5/8" flat head, 2pcs #6 x 3/4" pan head</i>	
	100 pks/box 600 pks/master	40 pks/box 320 pks/master	50 pks/box 500 pks/master	500 catches 500 strike plates 500 flat head 1000 pan head

# Catches

## Roller Catches



*Retail Packed*

Dark Brushed Antique Copper	RC01-DBAC
-----------------------------	-----------

Polished Brass	RC01-PB
----------------	---------

Zinc	RC01-ZN
------	---------

<b>Pack Contents</b>	<b>1 catch, 1 strike, 4 screws</b>
	400 pks/ctn

- » Double roller catch with durable nylon rollers
- » Roller measures 33 mm wide x 28 mm deep x 14 mm tall
- » Mounting holes are 24 mm center-to-center
- » 4 pcs pan head wood screws included
- » Bagged with catch, strike, and screws with UPC label for retail sale

## Elbow Catches



*Retail Packed*

Dark Brushed Antique Copper	EC01-DBAC
-----------------------------	-----------

Polished Brass	EC01-PB
----------------	---------

Zinc	EC01-ZN
------	---------

<b>Pack Contents</b>	<b>1 catch, 1 strike, 4 screws</b>
	125 pks/box
	500 pks/master

- » Steel construction
- » Catch measures 28 mm wide x 26 mm tall
- » Strike plate measures 27 mm long x 12 mm wide
- » Catch mounting holes are 17 mm center-to-center
- » 4 pcs pan head wood screws included
- » Bagged with catch, strike, and screws with UPC label for retail sale

## Magnetic Touch Latches



Black	506L2
White	506L1
<b>Recommended screw:</b>	<b>#6 x 3/4" pan head</b>
	600 pcs/ctn

Overall Height	18 mm
Base Length	33 mm
Base Width	28 mm
Extended Overall Length	51 mm
Retracted Overall Length	41 mm
Hole Spacing	18 mm

## Rectangular Strike Plates



Bronze	506S2
White	506S4
Zinc	506S1
<b>Recommended screw:</b>	<b>#5 x 5/8" flat head</b>
	3000 pcs/master

Length	1-3/16"
Width	7/8"

# Brackets

## Angled Corner Braces



**1-3/8" x 1-3/8" x 3/4"**   
**1" x 1" x 1/2"**   
**1-1/2" x 1-1/2" x 1/2"**   
**2" x 2" x 5/8"**   
**2-1/2" x 2-1/2" x 5/8"**   
**3" x 3" x 3/4"**   
**4" x 4" x 3/4"**

Hole Center-to-Center	3/4"	1"	1-9/16"	1-13/16"	2-13/16"	—	—
Antique Copper	1965AC	—	—	—	—	—	—
Bright Nickel	1965BN	—	—	—	—	—	—
Zinc	—	9211	9212	9213	9214	9215	9217
Recommended screw:	#8 flat head	#6 or #8 flat head	#6 or #8 flat head	#6 or #8 flat head	#6 or #8 flat head	#6 or #8 flat head	#6 or #8 flat head
	1000 pcs/ctn	500 pcs/ctn	500 pcs/ctn	500 pcs/ctn	500 pcs/ctn	250 pcs/ctn	250 pcs/ctn



**3/4" x 3/4" x 2"**

Hole Center-to-Center	32 mm
Black Plated	9013
Bright Nickel	9015
Plain Steel	9011
Zinc	9012
Recommended screw:	#6 pan head

1000 pcs/ctn



# Brackets

## Flat Mending Plates



2" x 5/8"



2-3/16" x 5/8"



4" x 7/8"



2" x 1-9/16"

<b>Hole Center-to-Center</b>	32 mm	32 mm staggered 2 sets	2-3/8" staggered 2 sets	32 mm horizontal slotted 32 mm vertical slotted
<b>Bright Nickel</b>	—	—	—	9005BN
<b>Zinc</b>	9313	9314	9317	—
<b>Recommended screw:</b>	#6 or #8 flat head	#6 or #8 flat head	#6 or #8 flat head	#5 pan head
	500 pcs/ctn	500 pcs/ctn	500 pcs/ctn	500 pcs/ctn

## Drawer Adjustment Brackets



"Figure 8"  
Drawer Front  
Connecting  
Plate with  
Slotted  
Adjustment



"Figure 8"  
Drawer Front  
Connecting  
Plate



90° Drawer  
Bracket



90° Drawer Bracket  
Cover (Plastic)

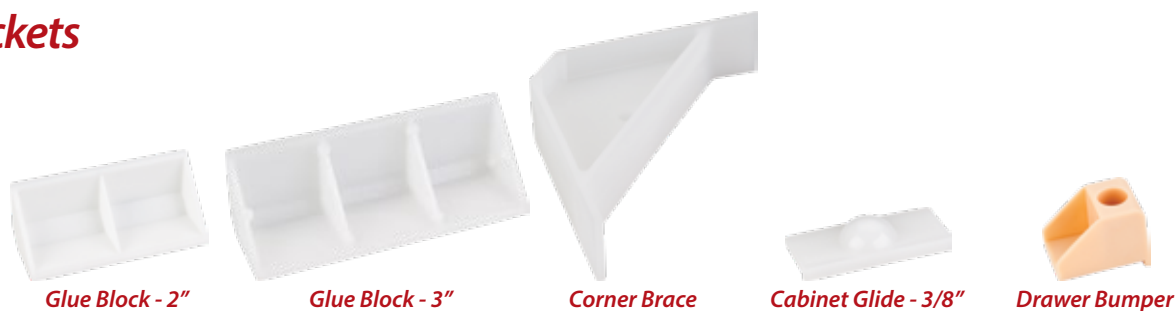


Euro Bracket

<b>Dimensions</b>	1-11/16"	1-5/16"	2" x 1" x 5/8"	2-1/8" x 1" x 1/2"	42 mm x 47 mm x 23 mm
<b>Hole Center-to-Center</b>	15/16"	5/8"	11/16" horizontal slotted 11/16" vertical slotted		32 mm center-to-center with 16 mm spacing
<b>Beige</b>	—	—	—	1996	—
<b>Bright Nickel</b>	103559BN	103841BN	9453007	—	—
<b>Zinc</b>	—	—	—	—	430ZN
<b>Recommended screw:</b>	#6 flat head	#6 flat head	#6 undercut head		#6 or #8 flat head or Euro screw
	1000 pcs/ctn	1000 pcs/ctn	1000 pcs/ctn	2000 pcs/ctn	1000 pcs/ctn

# Brackets

## Plastic Brackets



	<b>Glue Block - 2"</b>	<b>Glue Block - 3"</b>	<b>Corner Brace</b>	<b>Cabinet Glide - 3/8"</b>	<b>Drawer Bumper</b>
<b>Dimensions</b>	2" Overall Length 1" Outside Width 5/16" Inside Width	3" Overall Length 1-3/8" Outside Width 1/4" Inside Width	2-5/8" x 2-5/8" 3/4" Height Without Tabs	1-3/4" x 3/4" 3/8" Height	11/16" (18 mm)
Beige	T480-00	—	—	—	B-400-02
Natural	—	—	HR410	GLIDE-02	—
White	T480-02	T475	—	—	—
<b>Recommended screw:</b>					<b>#6 pan head</b>
	5000 pcs/ctn	1800 pcs/ctn	1000 pcs/ctn	5000 pcs/ctn	100 pcs/pk 10 pks/ctn

## Mirror Hanging & Glass Insert Brackets



	<b>Mirror Hanging Bracket</b>	<b>Glass Retainer Clip</b>
<b>Dimensions</b>	Clip - 5/8" x 5/8" Bracket - 1-1/8" x 3/8" Mounting Holes are 1/2" Center-to-Center	1-1/8" Overall Height 3/4" Adjustment Screw Included
Antique Copper	—	9454003
Clear	—	—
Zinc	MH1625	—
<b>Recommended screw:</b>	<b>#6 pan head</b>	<b>#6 pan head</b>
	5000 pcs/ctn	2500 pcs/ctn

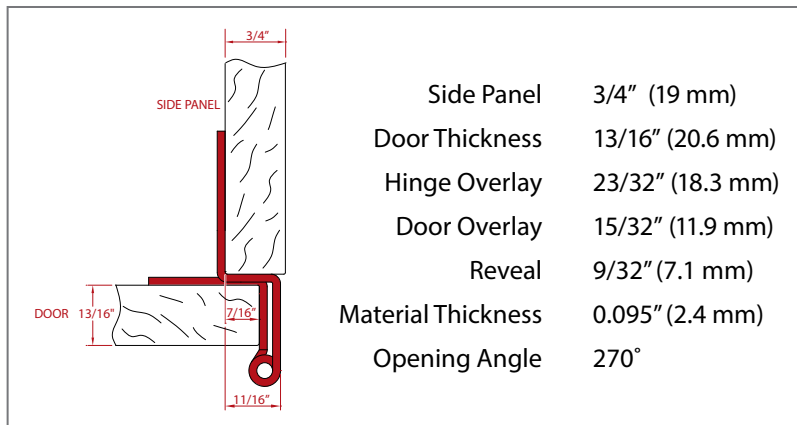
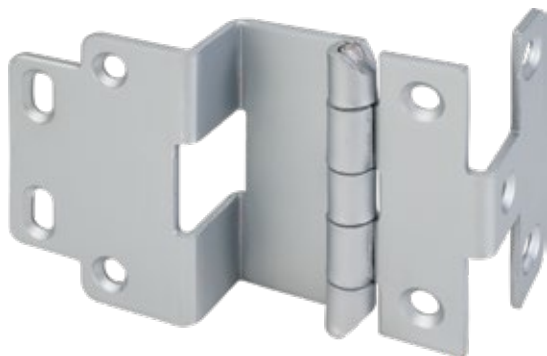
# Commercial Hardware

Find the hardware products you need for commercial jobs including medical offices, schools, banks, and restaurants. Our products include hinges and slides, standards and brackets, shelf supports, locks, and more.



# Institutional Hinges

## 5 Knuckle Overlay Hinges



Side Panel	3/4" (19 mm)
Door Thickness	13/16" (20.6 mm)
Hinge Overlay	23/32" (18.3 mm)
Door Overlay	15/32" (11.9 mm)
Reveal	9/32" (7.1 mm)
Material Thickness	0.095" (2.4 mm)
Opening Angle	270°

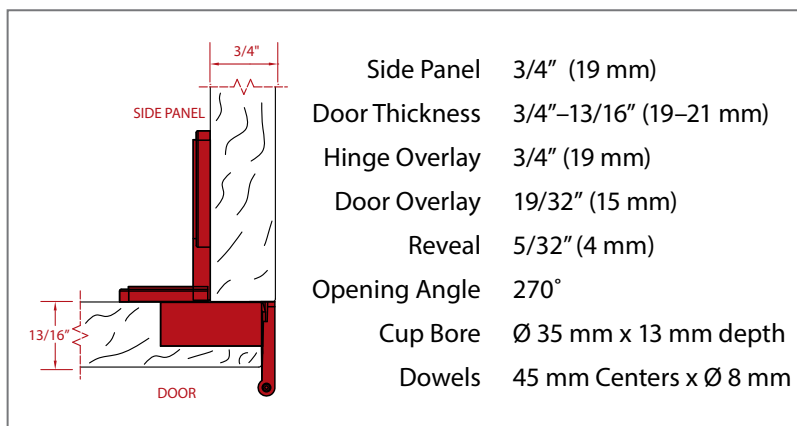
**Bulk Pack**

Almond Powder Coat	HR0076AL
Black Powder Coat	HR0076BLK
Dull Chrome (26D)	HR0076
Stainless Steel (304)	HR0076SS
White Powder Coat	HR0076WH
<b>Recommended screw:</b>	<b>#8 flat head or Euro</b>

108 pcs/box

- » Conforms to ANSI/BHMA Grade 1 requirements
- » Hospital tips, 2-3/4" overall height
- » Drilled knuckle inner diameter
- » 32 mm system hole pattern with 37 mm setback
- » Countersunk screw holes for recommended #8 flat head or Euro screws
- » Slotted screw holes for vertical and horizontal adjustment
- » Stainless steel #8 x 3/4" flathead screw available (8X347-2)

## Single Pivot Hinge



Side Panel	3/4" (19 mm)
Door Thickness	3/4"-13/16" (19-21 mm)
Hinge Overlay	3/4" (19 mm)
Door Overlay	19/32" (15 mm)
Reveal	5/32" (4 mm)
Opening Angle	270°
Cup Bore	Ø 35 mm x 13 mm depth
Dowels	45 mm Centers x Ø 8 mm

**Bulk Pack**

Nickel	HR0086
<b>Recommended screw:</b>	<b>#8 pan head</b>

100 pcs/ctn

- » Solid zinc die cast construction
- » For full overlay applications—2 dimensional adjustment
- » Hinge and plate ship pre-assembled
- » 8 mm dowels preattached to cup
- » Integrated polymer catch with positive lock
- » Conforms to ANSI/BHMA Grade 1 requirements

# Heavy-Duty Standards & Brackets

## TRK05 Series



- » 1000 lb. per pair
- » Double-slot design
- » Steel with zinc plating or white powder coating
- » Adjustable in 1" increments
- » 1-1/4" x 1/2" x length (below)
- » ANSI/BHMA A156.9-2003



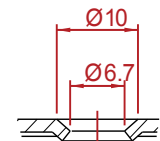
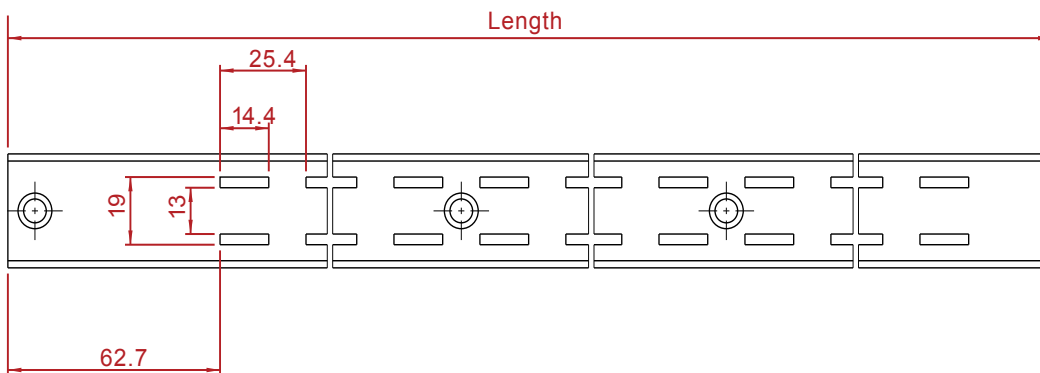
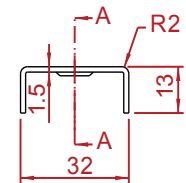
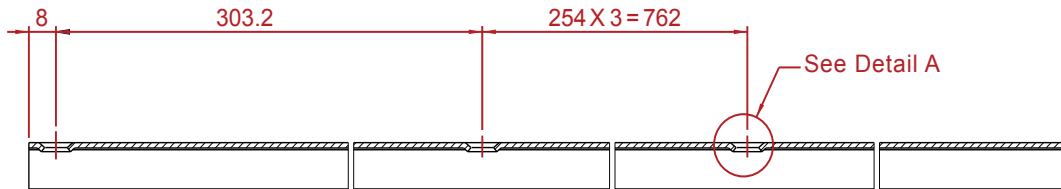
*Heavy-Duty Standards & Brackets*

### Ordering

Length	Thickness	Zinc Track	White Track
24"	16-gauge	TRK05-24	TRK05-24WH
36"	16-gauge	TRK05-36	TRK05-36WH
48"	16-gauge	TRK05-48	TRK05-48WH
60"	16-gauge	TRK05-60	TRK05-60WH
72"	16-gauge	TRK05-72	TRK05-72WH
84"	16-gauge	TRK05-84	TRK05-84WH

10 pcs/ctn      10 pcs/ctn

Part No.	A
TRK05-24	24"
TRK05-36	36"
TRK05-48	48"
TRK05-60	60"
TRK05-72	72"
TRK05-84	84"



NOTE: Proper installation and mounting required. Tested to meet or exceed ANSI/BHMA performance standards. Weight limits are based on standards mounted on 16" centers utilizing all provided fastener holes. Mounting fasteners must individually provide at least 650 lb. tensile pullout and 900 lb. shear strength.

# Heavy-Duty Standards & Brackets

## TRK05 Series

Commercial  
Hardware



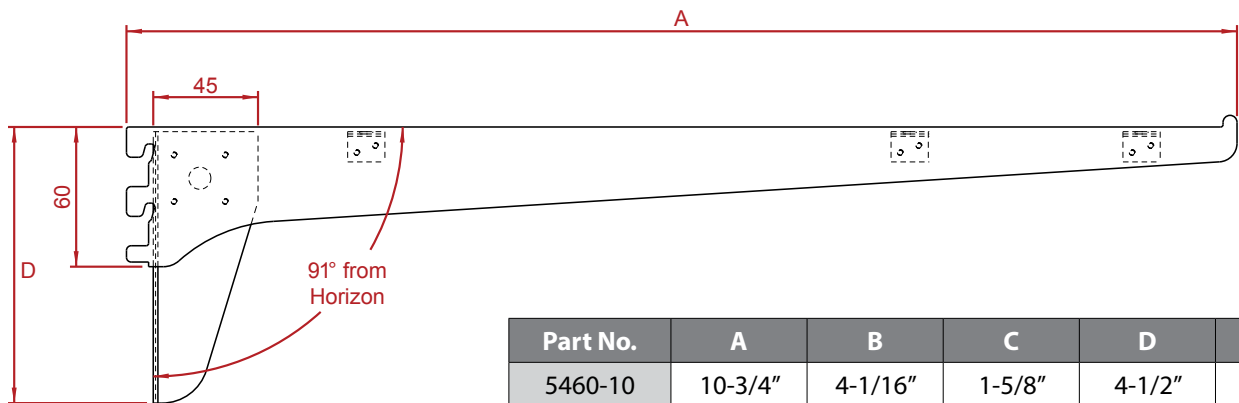
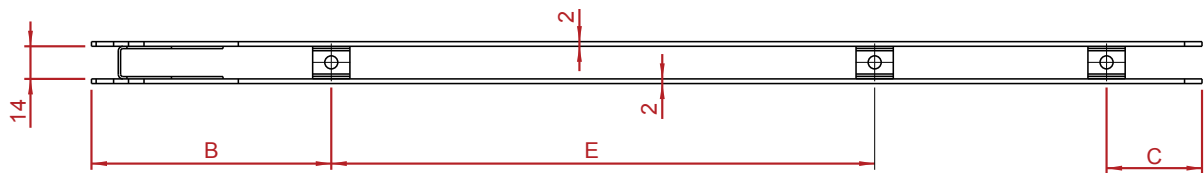
### Ordering

Length	Thickness	Zinc Bracket	White Bracket
8"	16-gauge	5460-8	5460-8WH
10"	16-gauge	5460-10	5460-10WH
12"	16-gauge	5460-12	5460-12WH
14"	16-gauge	5460-14	5460-14WH
16"	16-gauge	5460-16	5460-16WH
18"	16-gauge	5460-18	5460-18WH
20"	16-gauge	5460-20	5460-20WH
22"	16-gauge	5460-22	5460-22WH
24"	16-gauge	5460-24	5460-24WH

10 pcs/ctn

10 pcs/ctn

- » 180 lb. per shelf (8"–14"), 210 lb. per shelf (16"–24")
- » Double-lug brackets provide strong weight-bearing support
- » Steel with zinc plating
- » ANSI/BHMA A156.9-2003



Part No.	A	B	C	D	E
5460-10	10-3/4"	4-1/16"	1-5/8"	4-1/2"	—
5460-12	12-3/4"	4-1/16"	1-5/8"	4-1/2"	—
5460-14	14-3/4"	4-1/16"	1-5/8"	4-1/2"	—
5460-16	16-3/4"	4-1/16"	1-5/8"	4-1/2"	—
5460-18	18-3/4"	4-1/16"	1-5/8"	4-1/2"	9-3/16"
5460-20	20-3/4"	4-1/16"	1-5/8"	4-1/2"	11-3/16"
5460-22	22-3/4"	4-1/16"	1-5/8"	4-1/2"	13-3/16"
5460-24	24-3/4"	4-1/16"	1-5/8"	4-1/2"	13-3/16"

NOTE: Proper installation and mounting required. Tested to meet or exceed ANSI/BHMA performance standards. Weight limits are based on standards mounted on 16" centers utilizing all provided fastener holes. Mounting fasteners must individually provide at least 650 lb. tensile pullout and 900 lb. shear strength.



# Extra Heavy-Duty Standards & Brackets

## TRK07 Series



- » 1800 lb. per pair
- » Single-slot design
- » Steel with zinc plating
- » Adjustable in 2" increments
- » Plastic lock secures bracket to track
- » 7/8" x 11/16" x length (below)
- » ANSI/BHMA A156.9-2003



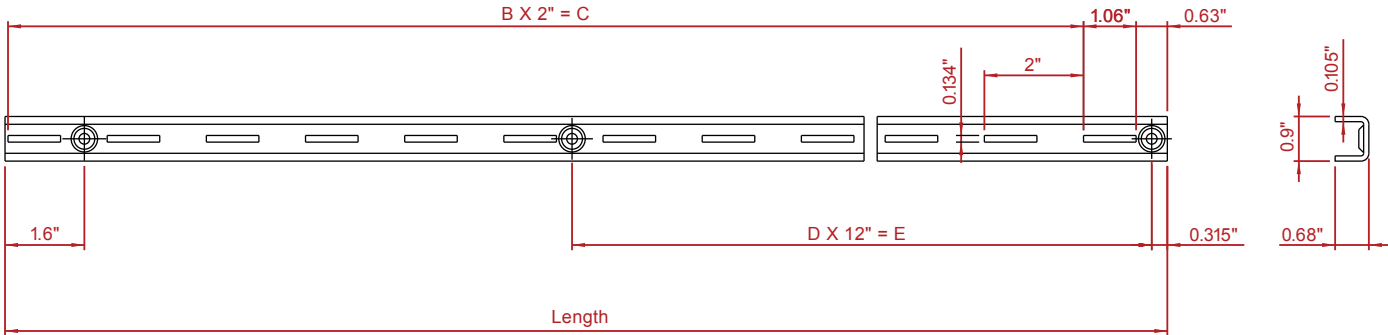
### Ordering

Length	Thickness	Zinc Track
24"	12-gauge	TRK07-24
36"	12-gauge	TRK07-36
48"	12-gauge	TRK07-48
60"	12-gauge	TRK07-60
72"	12-gauge	TRK07-72
84"	12-gauge	TRK07-84

10 pcs/ctn

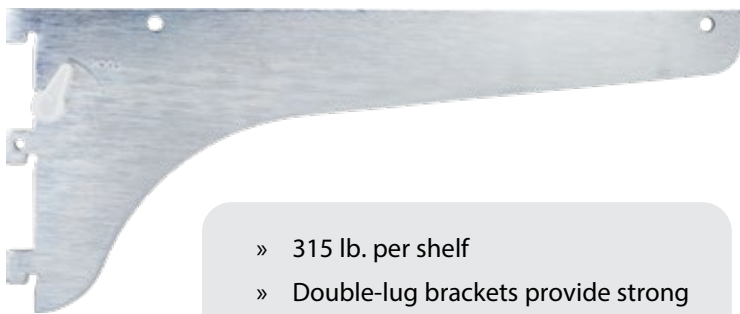
### Extra Heavy-Duty Standards & Brackets

Part No.	A	B	C	D	E
TRK07-24	23.75"	11	22"	1	12"
TRK07-36	35.75"	17	34"	2	24"
TRK07-48	47.75"	23	46"	3	36"
TRK07-60	59.75"	29	58"	4	48"
TRK07-72	71.75"	35	70"	5	60"
TRK07-84	83.75"	41	82"	6	72"



NOTE: Proper installation and mounting required. Tested to meet or exceed ANSI/BHMA performance standards. Weight limits are based on standards mounted on 16" centers utilizing all provided fastener holes. Mounting fasteners must individually provide at least 650 lb. tensile pullout and 900 lb. shear strength.

## TRK07 Series



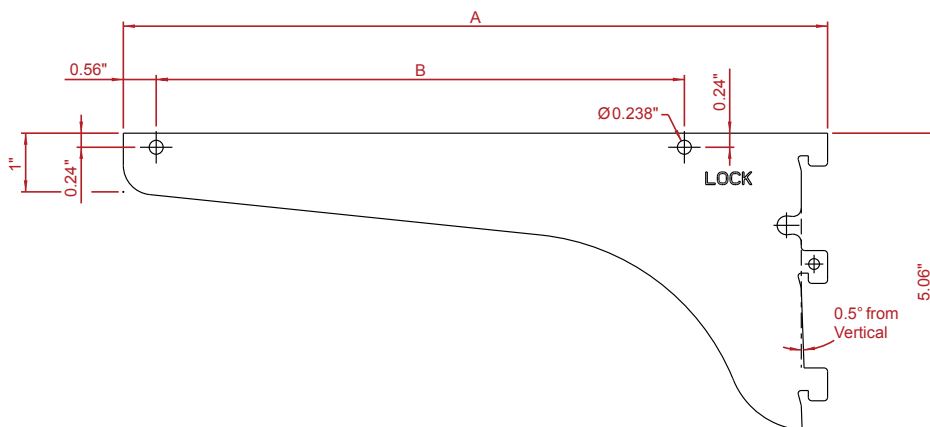
- » 315 lb. per shelf
- » Double-lug brackets provide strong weight-bearing support
- » Steel with zinc plating
- » ANSI/BHMA A156.9-2003

### Ordering

Length	Thickness	Zinc Bracket
12"	12-gauge	7460-12
14"	12-gauge	7460-14
16"	12-gauge	7460-16
18"	12-gauge	7460-18
20"	12-gauge	7460-20
22"	12-gauge	7460-22
24"	12-gauge	7460-24

10 pcs/ctn

Part No.	A	B
7460-12	12"	9"
7460-14	14"	11"
7460-16	16"	13"
7460-18	18"	15"
7460-20	20"	17"
7460-22	22"	19"
7460-24	24"	21"

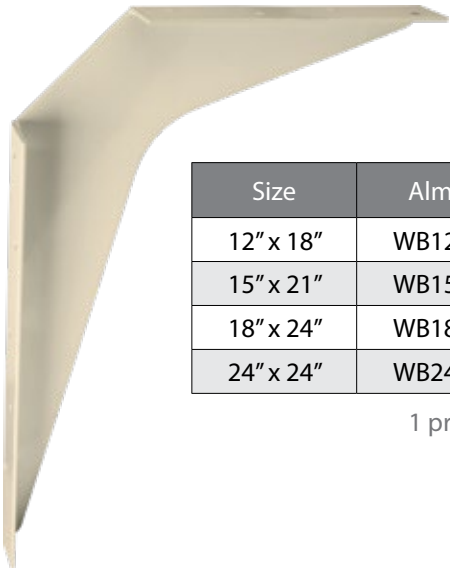


Center Rest	End Rest	Front Rest
 <p>7460-CR 1000 bags/ctn</p>	 <p>7460-ER 1000 bags/ctn</p>	 <p>7460-FR 1000 bags/ctn</p>
<p>Polybagged with one rest and one attachment screw.</p>		

- » For use with 7460 Series Extra Heavy-Duty Standards
- » Works with any size 7460 series shelf bracket
- » Steel with zinc plating

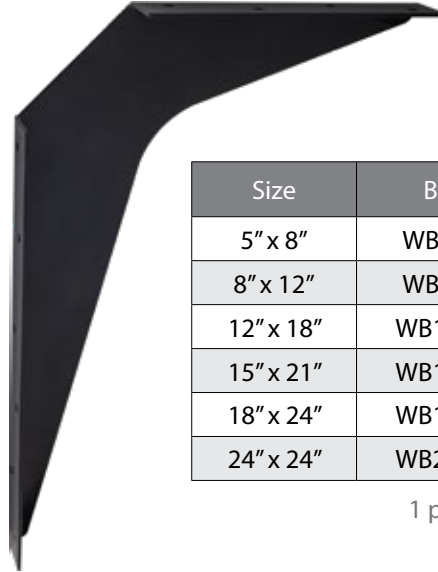
NOTE: Proper installation and mounting required. Tested to meet or exceed ANSI/BHMA performance standards. Weight limits are based on standards mounted on 16" centers utilizing all provided fastener holes. Mounting fasteners must individually provide at least 650 lb. tensile pullout and 900 lb. shear strength.

# Work Station Brackets



Size	Almond
12" x 18"	WB12-ALD
15" x 21"	WB15-ALD
18" x 24"	WB18-ALD
24" x 24"	WB24-ALD

1 pr/ctn



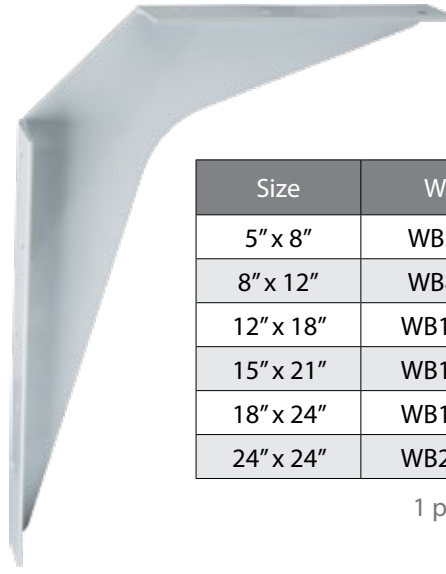
Size	Black
5" x 8"	WB5-BLK
8" x 12"	WB8-BLK
12" x 18"	WB12-BLK
15" x 21"	WB15-BLK
18" x 24"	WB18-BLK
24" x 24"	WB24-BLK

1 pr/ctn



Size	Primer
12" x 18"	WB12-PR
15" x 21"	WB15-PR
18" x 24"	WB18-PR
24" x 24"	WB24-PR

1 pr/ctn

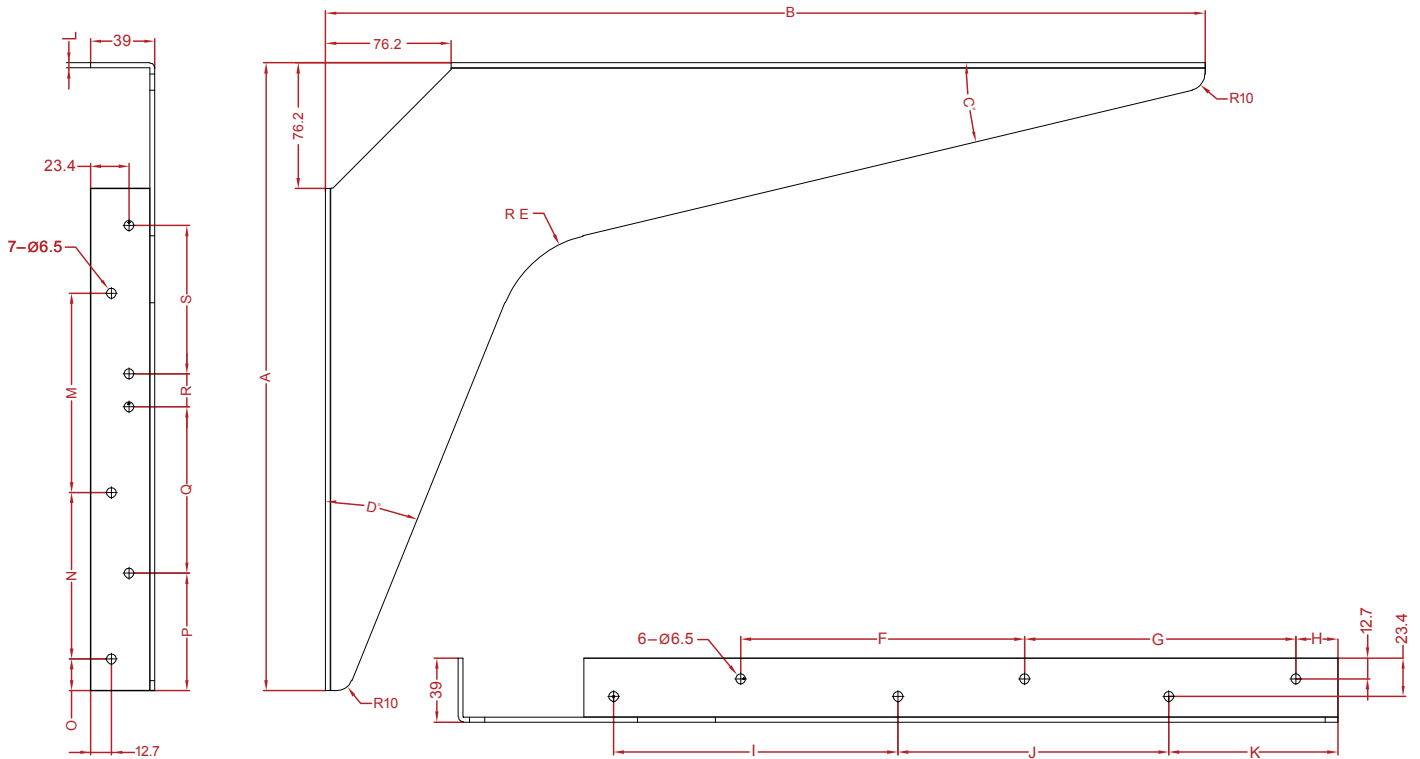


Size	White
5" x 8"	WB5-WH
8" x 12"	WB8-WH
12" x 18"	WB12-WH
15" x 21"	WB15-WH
18" x 24"	WB18-WH
24" x 24"	WB24-WH

1 pr/ctn

**Recommended screw:** #8 pan washer head

- » Rear cutout for cable management
- » Sold per pair, left and right
- » Reversible to accommodate two different countertop depths
- » WB12, WB15, WB18 & WB21 rated for 1000 lb. per pair load capacity
- » WB5 rated for 300 lb. per pair & WB8 rated for 375 lb. per pair
- » Steel construction
- » ANSI/BHMA A156.9-2003



Size	A	B	C	D	E	F	G	H	I	J	K	L	M	N	O	P	Q	R	S
5" x 8"	125	200	23°	13°	50	-	94	20	-	94	65	2	-	50	15	40	50	-	-
8" x 12"	200	300	13°	25°	65	-	150	25	-	150	100	2	-	94	20	67	94	-	-
12" x 18"	298.5	450.9	12.8°	19.5°	65	140	130	25	139.7	130	87	3	-	120	20	80	119.7	-	-
15" x 21"	381	533.3	13.5°	22°	68	172.4	164.4	25.4	172.4	164.4	102.4	3	121	101	19.3	71.3	101	20	90
18" x 24"	463	616	11°	16.5°	71	352.5	95	55	231.7	149	32	3	192.5	98.4	54	32.5	158	72	-
24" x 24"	603.3	603.3	11°	11°	68	352.5	95	55	231.7	149	32	3	352.5	95	55	32	149	231.7	-

# Cable Grommets



**Two-Piece with Tab  
Removed**



**Three-Piece with  
Adjustable Spring  
Closure**



**Three-Piece with  
Adjustable Spring  
Closure**



**Plastic Grommet  
without Cover**

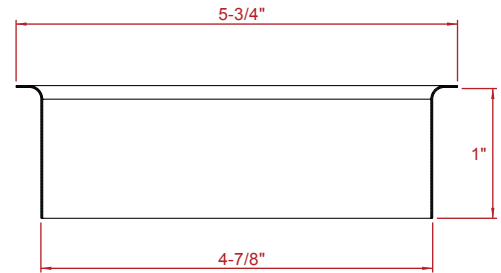
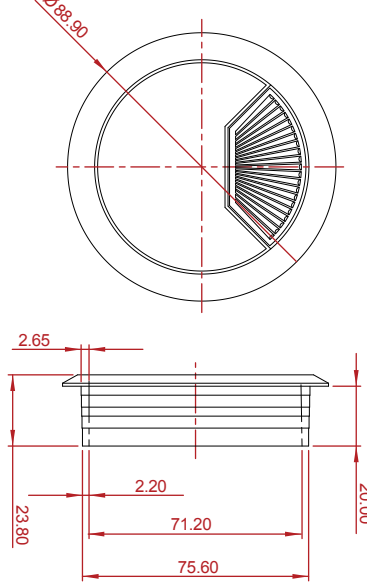
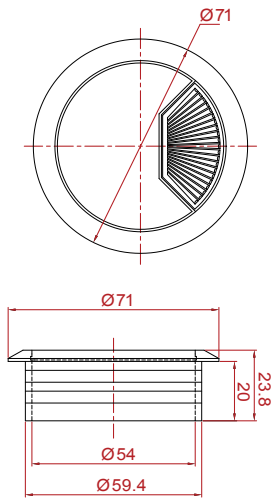
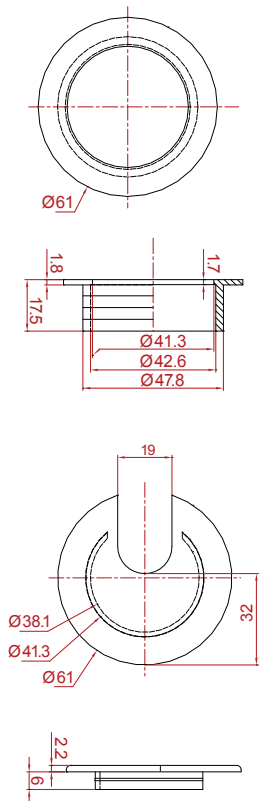
Cover Diameter	Ø 61 mm	Ø 71 mm	Ø 3-1/2"	Ø 5-3/4"
Drilling Hole Diameter	Ø 1-7/8" (48 mm)	Ø 2-3/8" (60 mm)	Ø 3" (75 mm)	Ø 5" (127 mm)
Height Under Cover	5/8" (16 mm)	25/32" (20 mm)	25/32" (20 mm)	1" (25 mm)
Black	63000 500 pcs/ctn	68000BK 500 pcs/ctn	69000BK 500 pcs/ctn	—
Brown	—	68000BR 500 pcs/ctn	—	—
Grey	—	68000GR 500 pcs/ctn	—	—
White	—	68000WH 500 pcs/ctn	69000WH 500 pcs/ctn	67000WH 200 pcs/ctn

**63000**

**68000**

**69000**

**67000WH**

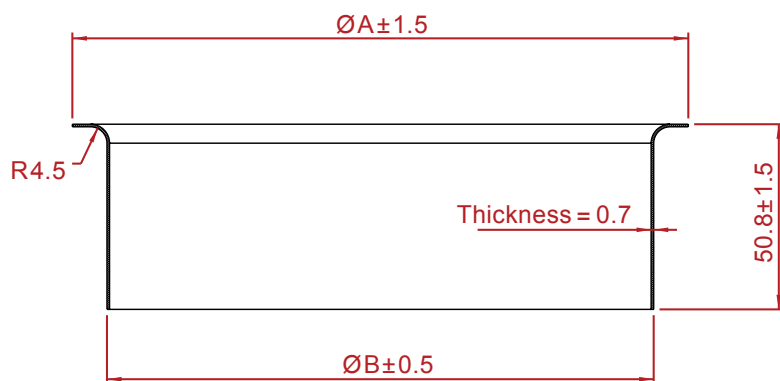


# Trash Can Grommets

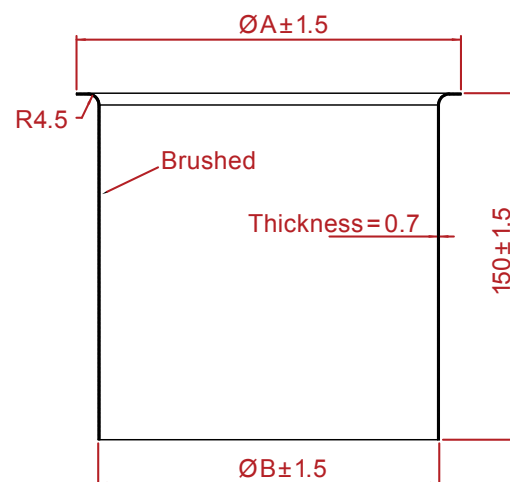


	6"	8"	10"	12"
<b>Grommet Diameter</b>	Ø 6-5/8" (169 mm)	Ø 8-5/8" (219 mm)	Ø 10-5/8" (269 mm)	Ø 12-9/16" (319 mm)
<b>Drilling Hole Diameter</b>	Ø 5-15/16" (152 mm)	Ø 7-15/16" (202 mm)	Ø 9-15/16" (253 mm)	Ø 11-15/16" (303 mm)
<b>Height</b>	2" (50.8 mm)	2" (50.8 mm)	2" (50.8 mm)	2" (50.8 mm)
<b>Stainless Steel</b>	TCR6-SS 10 pcs/ctn	TCR8-SS 10 pcs/ctn	TCR10-SS 10 pcs/ctn	TCR12-SS 10 pcs/ctn

	6"	8"
<b>Grommet Diameter</b>	Ø 6-5/8" (169 mm)	Ø 8-5/8" (219 mm)
<b>Drilling Hole Diameter</b>	Ø 5-15/16" (152 mm)	Ø 7-15/16" (202 mm)
<b>Height</b>	6" (152.4 mm)	6" (152.4 mm)
<b>Stainless Steel</b>	TCR66-SS 6 pcs/ctn	TCR86-SS 6 pcs/ctn



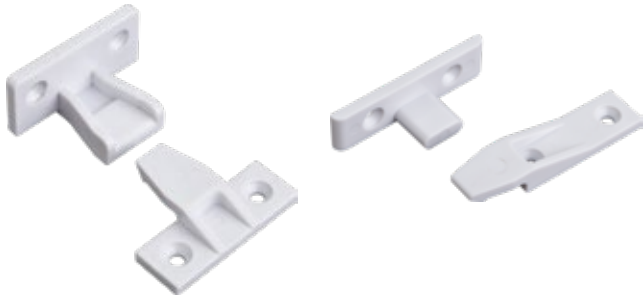
Part No.	A	B
TCR6-SS	169	150
TCR8-SS	219	200
TCR10-SS	269	251
TCR12-SS	319	301



Part No.	A	B
TCR66-SS	169	150
TCR86-SS	219	200



## Two-Piece Panel Connectors



**Push-in Fastener**      **Suspension Fittings**

White plastic	200-K1 sold by pair	200-K2 sold by pair
<b>Recommended screw:</b>	#7 flat head	#7 flat head



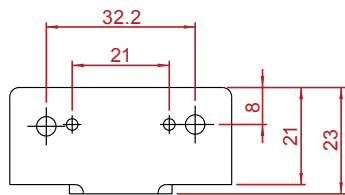
**1-3/8" x 2" Panel Clips**      **92" Panel Clip Bar**  
**32 mm CC Holes**      **8" CC Holes**

Zinc	200-ZB 200 pcs/ctn	200-Z92 25 pcs/ctn
<b>Recommended screw:</b>	#7 pan washer head	#7 pan washer head

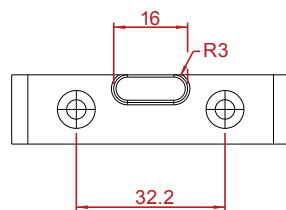
- » Push-in fastener for fastening panels to frames
- » Suspension fittings for securing trim and panels directly to walls without wood subframe. Frame can be preassembled. Panels are hung on site.

- » Mount panels or cabinets to the wall
- » Fast and easy mounting and removal
- » Clips securely grab each other
- » Clips are concealed when mounted
- » Aluminum construction
- » 8' stick with holes indexed for 16" or 24" studs

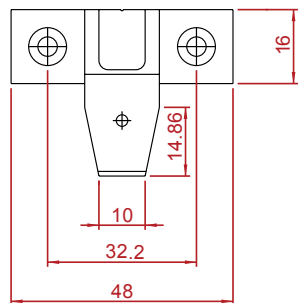
**200-K1 Base**



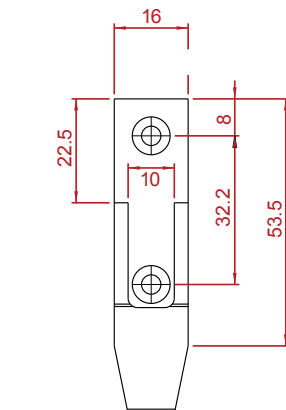
**200-K2 Base**



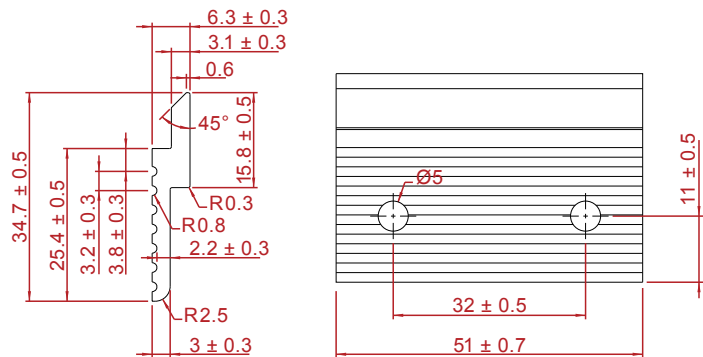
**200-K1 Locker**



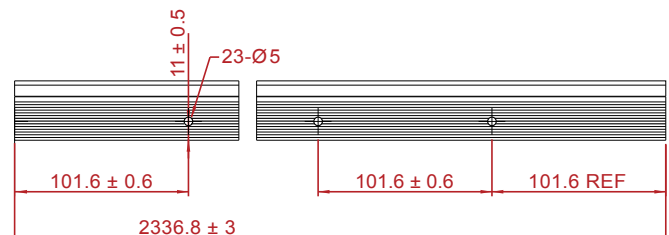
**200-K2 Locker**



**200-ZB**



**200-Z92**



# Connectors

## Two-Piece Connector Bolts



**2-Piece Connector Bolt**

Ø 5 mm Drilling 35–45 mm Panel	565NP35-B-K 600 pcs/ctn
Ø 8 mm Drilling 31–41 mm Panel	555NP31-B-K 400 pcs/ctn

- » Designed for joining two panels
- » Pozi drive allows for maximum torque in a hand- or machine-driven application
- » Ø 5 mm or Ø 8 mm pilot holes are required
- » Nickel plated
- » White box packed
- » Salt anti-corrosion Certified ANSI/BHMA A156.9-2010

## Confirmat Flat Head Screws

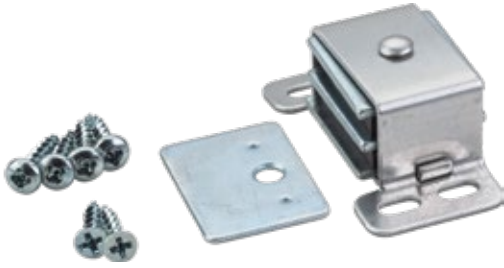


**7 mm x 50 mm**

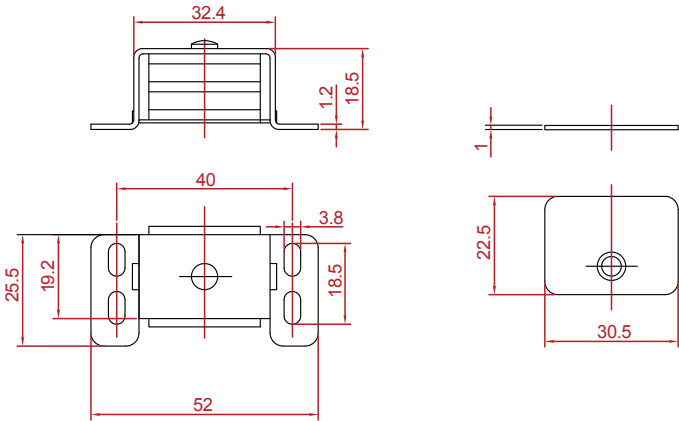
Blunt Tip	HR7X50-B-K 500 pcs/ctn
Pointed Tip	HR7X50P-B-K 500 pcs/ctn

- » Pozi drive allows for maximum torque in hand- or machine-driven applications
- » Coarse thread yields maximum engagement into a variety of materials
- » White box packed

**Magnetic Catch**



**Magnetic Catch  
8 lb.**



Zinc

50760  
250 pcs/ctn

Recommended screw: screws included

**Magnetic Touch Latches**



**Magnetic Touch Latch**



Black

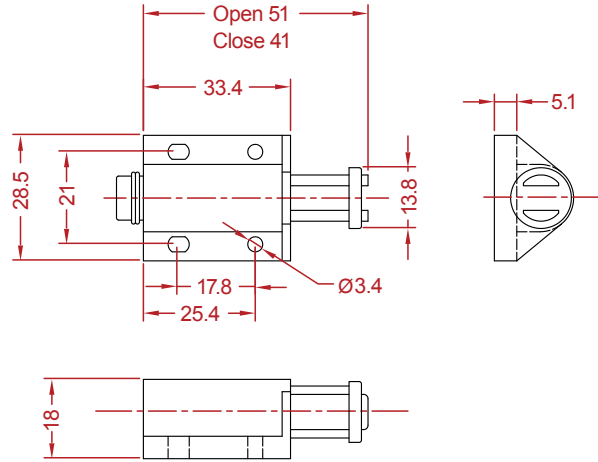
506L2  
600 pcs/ctn



Cream  
White

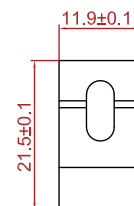
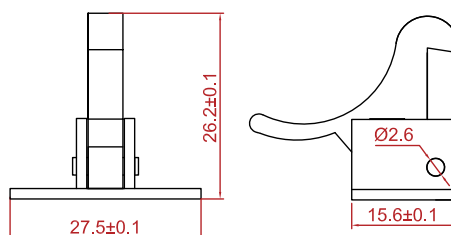
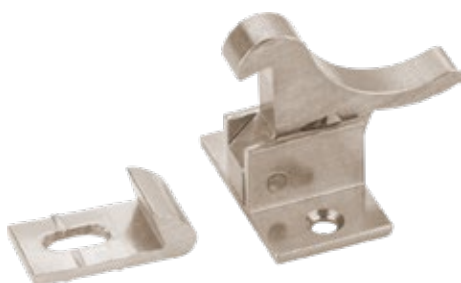
506L1  
600 pcs/ctn

Recommended screw: #6 x 3/4" pan head



# Catches

## Elbow Catch



**Elbow Catch**

Nickel

EC02-NI  
400 pcs/ctn

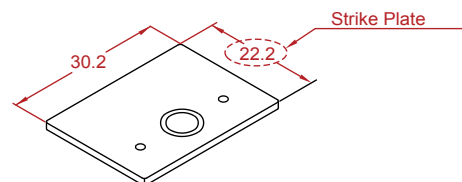
**Recommended screw:**

#5 flat head for catch  
#6 pan head for strike plate

## Strike Plates



**1-3/16" x 7/8"**



Bronze

506S2  
3000 pcs/ctn



White

506S4  
3000 pcs/ctn

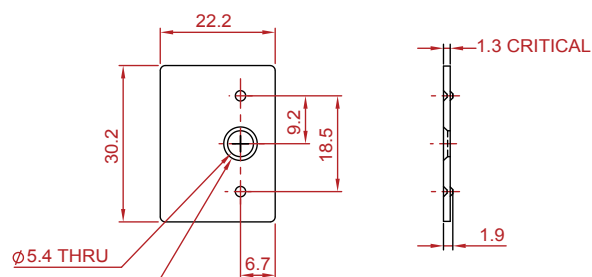


Zinc

506S1  
500 pcs/box  
3000 pcs/master

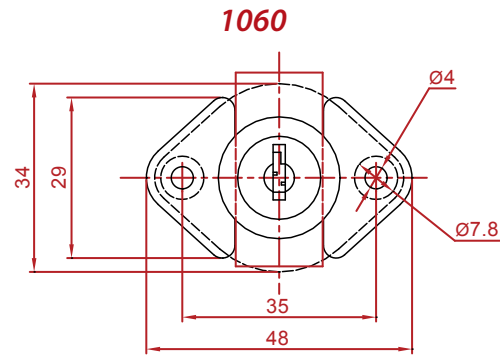
**Recommended screw:**

#5 x 5/8" flat head



Ø7.2X82°  
Countersink for  
#5 Screw

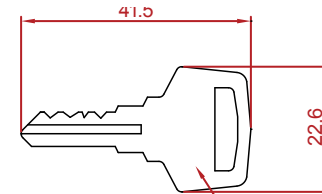
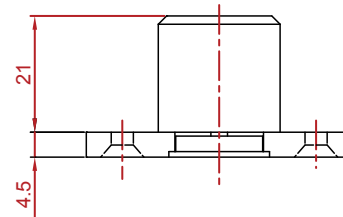
**7/8" Zinc Die Cast Drawer Locks**



**7/8" Zinc Die Cast Drawer Lock**

Brass Keyed Alike	1060BR
Chrome Keyed Different	1060CH

1 pc/bag  
250 pcs/ctn



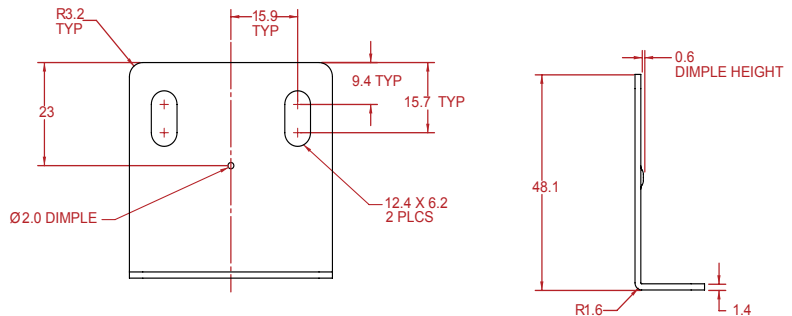
2 PCS Plating: BN

- » Standard 7/8" (22 mm) length with straight cam
- » Screws mount on 35 mm center
- » 180° angle of rotation
- » 2 keys included per bag
- » Master keying not available

**Strike Plate for Cam Locks**



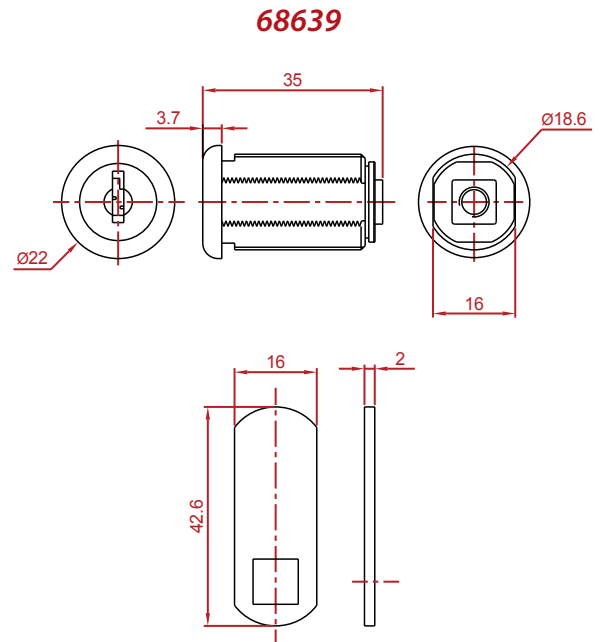
**7000201**



Bright Nickel	7000201BN
<b>Recommended screw:</b>	<b>#8 washer head</b>
	500 pcs/ctn

- » Long-lasting steel construction
- » Screw-on mount

## Zinc Die Cast Drawer Locks



	1-1/8"	1-1/2"
Chrome Keyed Alike	68639CH	78739CH
Chrome Keyed Different	68639CHKD	78739CHKD
	1 pc/bag 200 pcs/ctn	1 pc/bag 200 pcs/ctn

- » Fork cam and 3/8" offset cam for flush applications
- » Body mounts with hex nut and prong washer into 3/4" (19 mm) diameter hole
- » 90° angle of rotation
- » 2 keys included per bag
- » For plastic, metal, or wood applications
- » Master keying not available



# Shelf Supports

## Ø 5 mm Pin Shelf Supports

» Solid steel construction



*Spoon*

*Spoon with  
Anti-Slide Barb*

*Grommet  
5.5 mm drill Ø*

*3/4" Arm  
With 1/8" Hole*

Antique Brass	1306AB	—	1283AB	1707AB
Antique Copper	1306AC	—	—	1707AC
Black	1306BLK	—	1283BLK	1707BLK
Bright Nickel	1306BN	1306BN-2	1283BN	1707BN
Polished Brass	1306PB	—	1283PB	1707PB

1000 pcs/box\*  
6000 pcs/ctn

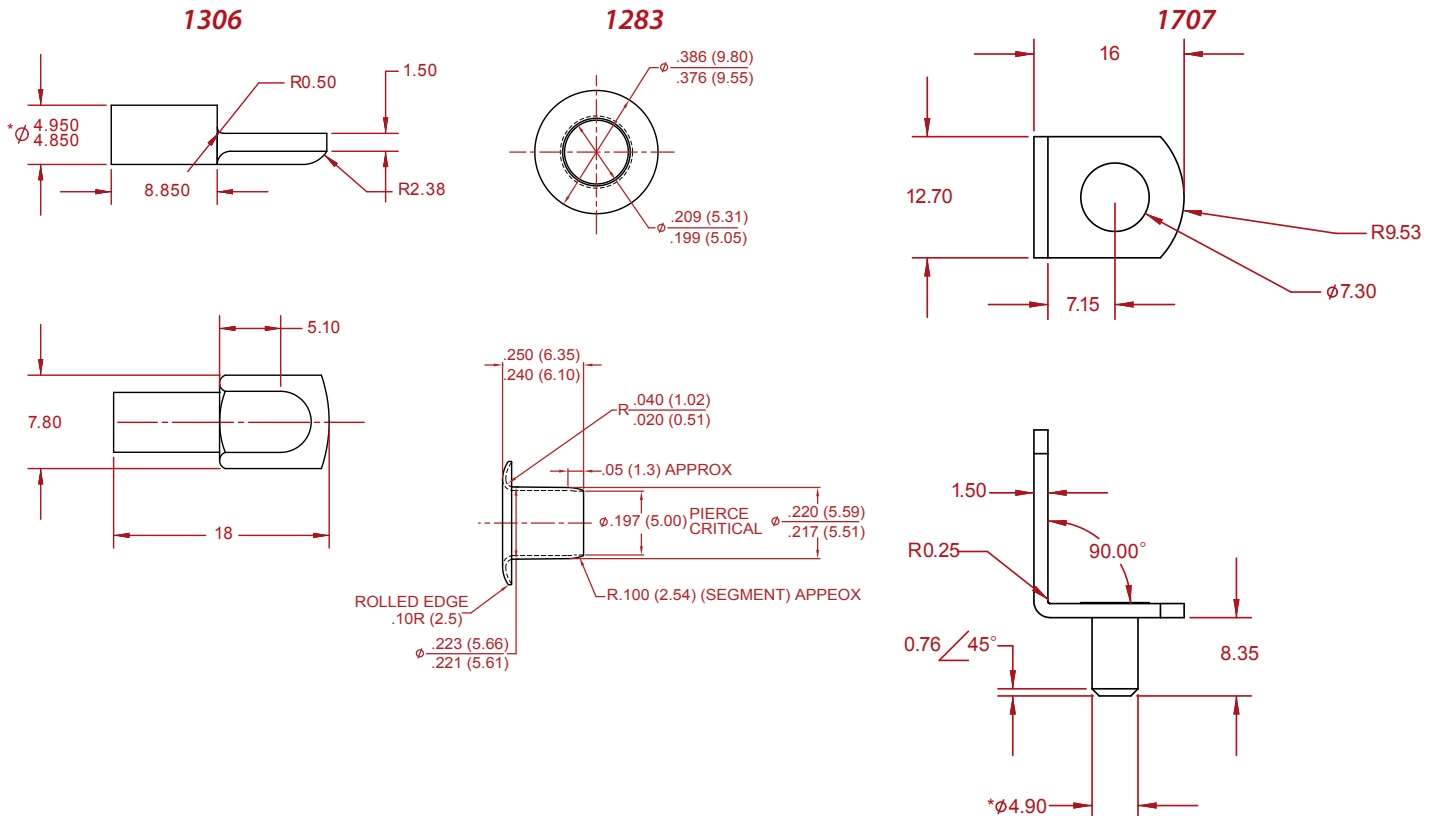
1000 pcs/box\*  
6000 pcs/ctn

1000 pcs/box\*  
5000 pcs/ctn

1000 pcs/ctn\*

*\*NO BROKEN BOXES. FULL BOXES ONLY.*

*FOR A COMPLETE SELECTION OF SHELF PINS SEE PAGES 152-155.*



# Shelf Supports

## Ø 5 mm Pin Shelf Support

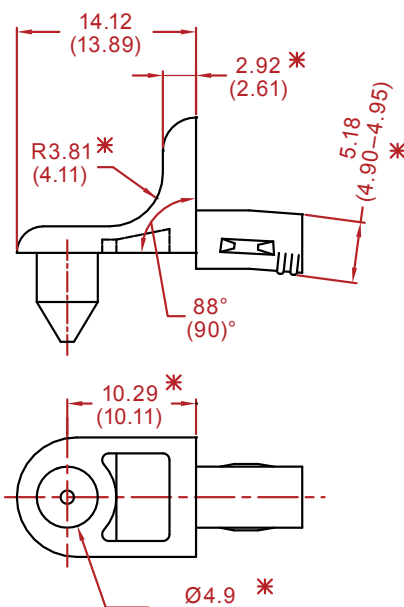
» Solid zinc die cast construction



Support with 5 mm Shelf Hold Pin

Zinc	1545ZN
	1000 pcs/ctn

1545ZN

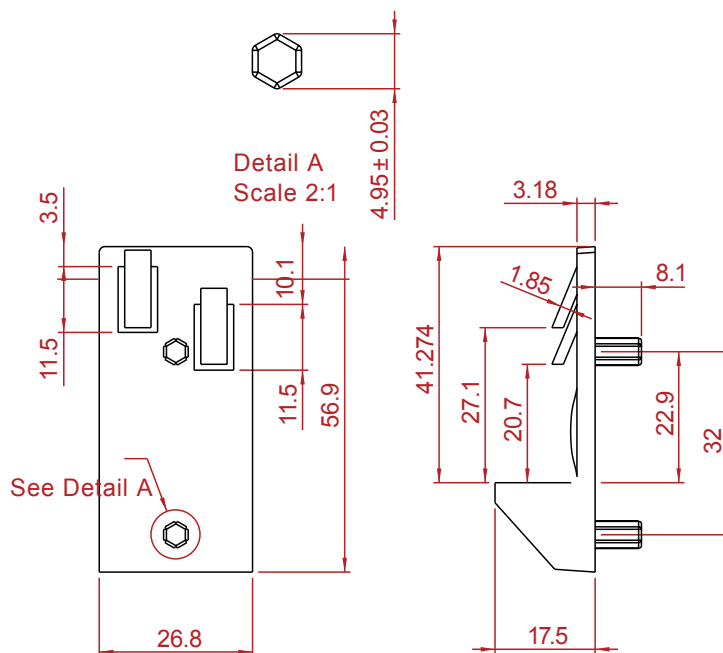


## Heavy-Duty Shelf Lock



Ø 5 mm Double Pin  
3/4" or 1" Shelf

Clear	7706CL
	2000 pcs/ctn

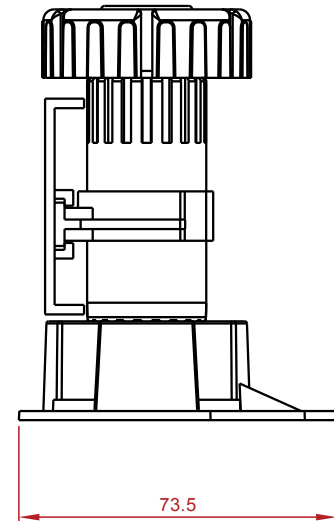
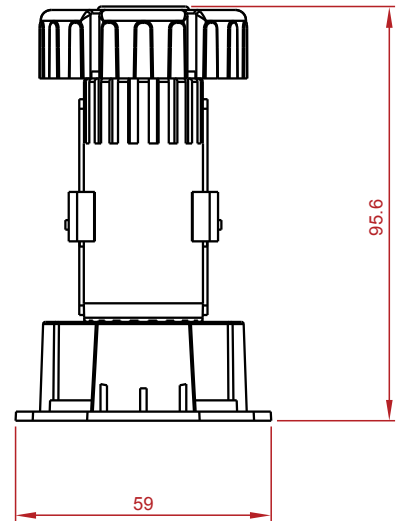
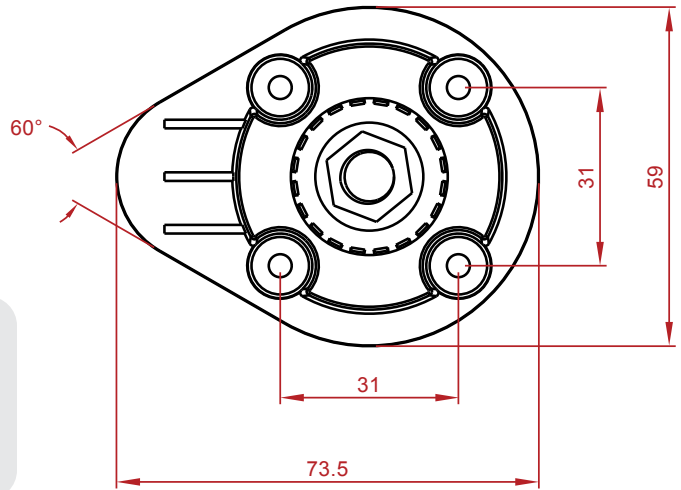


- » 500 lb. weight rating per set of 4
- » Highly durable synthetic plastic construction
- » Fits 3/4" or 1" shelf thickness
- » Two pins are 32 mm spaced
- » ANSI/BHMA A156.9-2003 Grade 1

## Adjustable Plastic Foot



- » 850 lb. per set of 4
- » Adjustable 100–170 mm
- » Snap-on toe kick bracket



### Plastic Foot

Black

TP03  
200 pcs/ctn

Recommended screws:

#7 flat head for cabinet attachment  
#7 pan head for toe kick attachment

# Feet & Legs

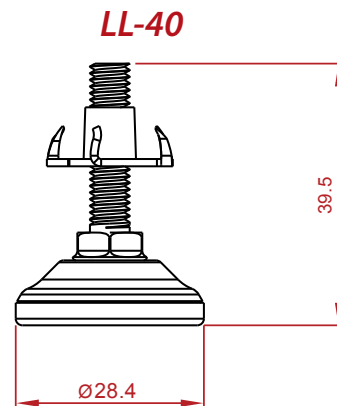
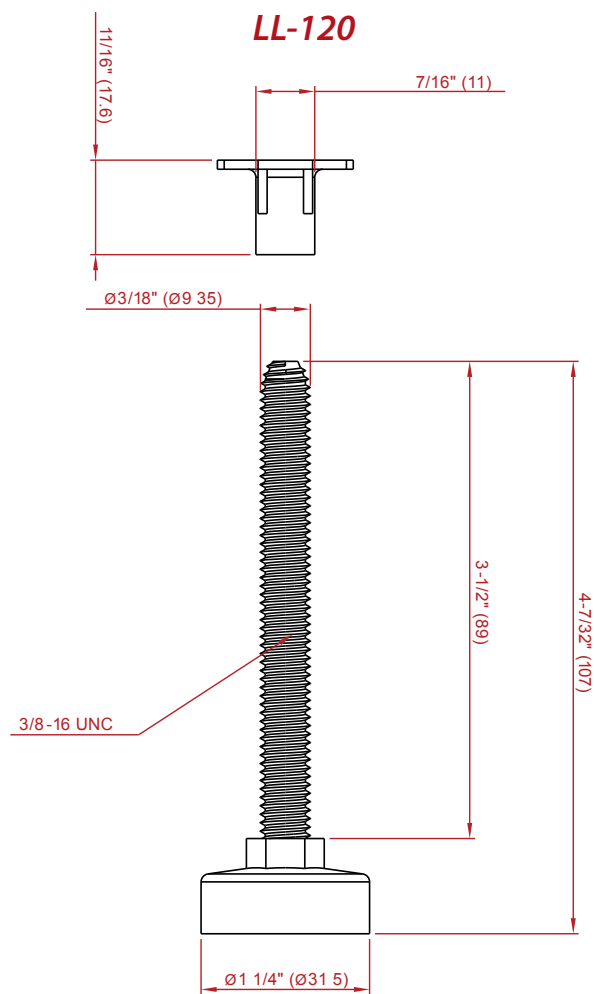
## Leg Levelers



*Leg Levelers*

40 mm long x 28.5 mm wide	LL-40 250 pcs/ctn
120 mm long x 28.5 mm wide	LL-120 250 pcs/ctn

- » Non-scratch plastic shoe is rust-free
- » T-nuts have prongs that provide good grip when hammered into wood
- » Hex nut provides ready height adjustment as the screw threads into T-nut
- » 28.5 mm wide
- » Threaded T-nut included
- » Available in 40 mm and 120 mm sizes
- » Polybagged in sets of 4



# Hanging File Accessories



- » Easy and fast install—no cutting or grooving is necessary
- » Top-mount or side-mount clip attachment
- » Hanging file bar cross rail can be cut to length and fits 1/2" and 5/8" clips



1292ZN

**File Bar**  
3 mm thick x 1/2" tall x 92" length



464ZN

**File Bar Clip**  
for 1/2" drawer side material



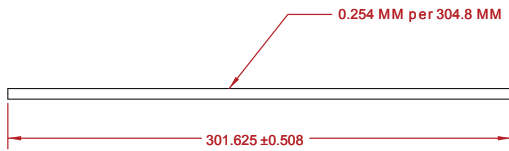
580ZN

**File Bar Clip**  
for 5/8" drawer side material

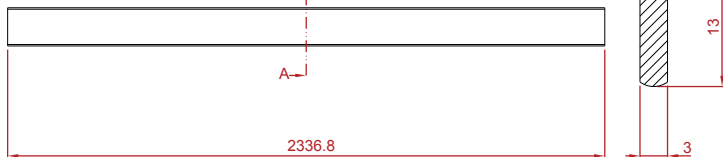
Zinc Plated	1292ZN 10 pcs/box 1000 pcs/ctn	464ZN 1000 pcs/ctn	580ZN 100 pcs/box 1000 pcs/master ctn
<b>Recommended screw:</b>	#6 pan head	#6 pan head	#6 pan head

092182BLK

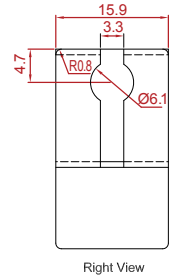
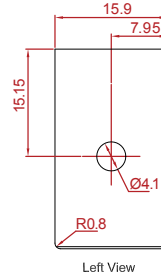
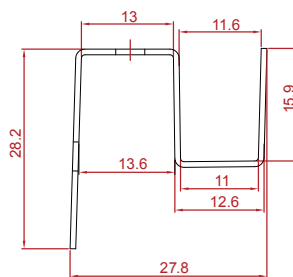
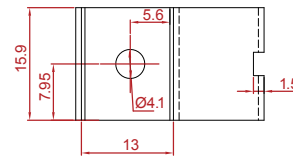
Ø 6.350 ± 0.051



1292ZN



464ZN

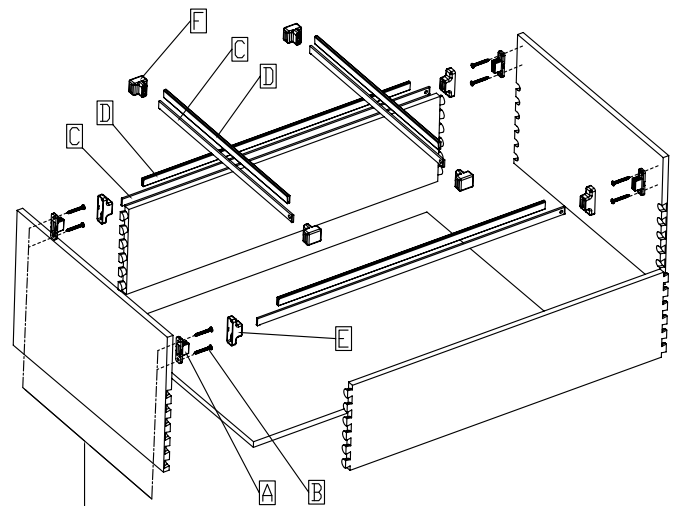


# Hanging File Kit

Commercial  
Hardware



- » Complete installation package (includes all parts)
- » Mounts inside the drawer for a cleaner appearance
- » No hooks that hang over the top edge of the drawer
- » Quick and easy to install
- » Cut-to-fit rods for variations in drawer size
- » Instructions included



CENTERS:  
letter = 310 mm (12-3/16")  
legal = 386 mm (15-3/16")

## ***Contents List:***

- 4 Rail Support Brackets (A)
- 8 Wood Screws (B)
- 4 Side Hanging Rails (C)
- 4 Side Hanging Rail Covers (D)
- 4 Rail Support Bracket Covers (E)
- 4 Lateral Brackets (F)

### ***Hanging File Kit***

Grey

FILE-KIT-GR  
20 pks/ctn



# Wire Pulls

See our full collections of knobs and pulls in the  
Decorative Products & Organization Catalog



	3" center-to-center	3-1/2" center-to-center	96 mm (3-3/4") center-to-center	4" center-to-center	128 mm (5-1/16") center-to-center
Aluminum	A271-3AL 30 pcs/ctn	A271-3.5AL 30 pcs/ctn	A271-96AL 30 pcs/ctn	A271-4AL 30 pcs/ctn	—
Brushed Chrome Plated Steel	S271-3BC 30 pcs/ctn	S271-3.5BC 30 pcs/ctn	S271-96BC 30 pcs/ctn	S271-4BC 30 pcs/ctn	S271-128BC 20 pcs/ctn
Brushed Oil Rubbed Bronze Plated Steel	S271-3DBAC 30 pcs/ctn	S271-3.5DBAC 30 pcs/ctn	S271-96DBAC 30 pcs/ctn	S271-4DBAC 30 pcs/ctn	S271-128DBAC 20 pcs/ctn
Matte Black Plated Steel	S271-3MB 30 pcs/ctn	S271-3.5MB 30 pcs/ctn	S271-96MB 30 pcs/ctn	S271-4MB 30 pcs/ctn	S271-128MB 20 pcs/ctn
Polished Brass Plated Steel	S271-3PB 30 pcs/ctn	S271-3.5PB 30 pcs/ctn	S271-96PB 30 pcs/ctn	S271-4PB 30 pcs/ctn	S271-128PB 20 pcs/ctn
Polished Chrome Plated Steel	S271-3PC 30 pcs/ctn	S271-3.5PC 30 pcs/ctn	S271-96PC 30 pcs/ctn	S271-4PC 30 pcs/ctn	S271-128PC 20 pcs/ctn
Satin Nickel Plated Steel	S271-3SN 30 pcs/ctn	S271-3.5SN 30 pcs/ctn	S271-96SN 30 pcs/ctn	S271-4SN 30 pcs/ctn	S271-128SN 20 pcs/ctn
Stainless Steel	K271-3SS 30 pcs/ctn	K271-3.5-SS 30 pcs/ctn	K271-96-SS 30 pcs/ctn	K271-4SS 30 pcs/ctn	—

Hardware Resources believes in quality, integrity, and reliability. We uphold the highest standards of service and responsibility in the industry.

As such, Hardware Resources warrants our commercial hardware products against defects in material and workmanship as long as the original consumer purchaser owns the products, if the original consumer purchased the products from an authorized distributor of Hardware Resources. Hardware Resources cannot guarantee the quality or condition of products from distributors who do not agree to meet our high standards, and therefore, no warranty is provided for products from unauthorized sellers.

Hardware Resources will send the original consumer purchaser, without charge, a new product to replace any defective product subject to this warranty. This warranty is a warranty of replacement only. Hardware Resources specifically does not warrant removal of the defective product nor installation of the replacement product. This warranty does not cover products that have been incorrectly installed, exposed to excessive loads or otherwise used in a manner contrary to their intended purpose. In the event the defective Hardware Resources commercial hardware item is obsolete or has been discontinued, Hardware Resources reserves the right to replace the defective product with a current offering.

In the unlikely event that a defective commercial hardware item is encountered, please contact Customer Service at 800.463.0660. Please be able to provide a brief description and photographs of the defect.



# You Buy. You Try. You Decide.

Place a Trial Order for any new-to-you functional products and try them out. If you're not satisfied, we'll take them back. Guaranteed!

## How the Trial Order program works

1. Place a Trial Order for any new-to-you functional hardware.  
Trial Orders can be combined with a regular order. We pay the freight on Trial Orders.
2. Test the products risk-free.
3. If you're not completely satisfied, call us. We'll give you immediate full credit on the Trial Order purchase. We'll arrange for the products to be picked up later—no need to save the original packaging, ship them back, etc. We make it easy. We would appreciate hearing your observations on the products.



## How to order

1. Call **800-463-0660**
2. Use code **TRIAL-HINGE&SLIDE** for the Trial Order products

1750 Series Heavy-Duty Adjustable Soft-Close Hinges



9390ADJ Series Dura-Close® Compact Hinges with Adjustable Closing Speed



USE58-500 Series Dura-Close® Synchronized Soft-Close Slides

