

*All decorative wood products are stocked in our regional warehouses,
with 98% fill rates and same-day shipping for fast delivery*

Designer-driven selection of carvings:

- » Over 2500 SKUs of corbels, posts, legs & feet, onlays, capitals, and hand carved moulding.
- » Copyright-protected designs unique to Hardware Resources.
- » Designs offered in size families, allowing the same design to be carried throughout the home in different applications.
- » Each piece is CNC machined for exact pattern duplication and hand carved for finishing details.



- » All items are hand sanded to a smooth finish and individually inspected under bright light.



- » Every carving is packed with a silica bag for moisture protection, shrink-wrapped to protect against soiling, and UPC labeled for retail sale.

Linear Moulding:

- » Made in the USA.
- » Over 500 SKUs—stocked in our Bossier warehouse in 100% clear/clean usable 8' sticks—perfect for ordering by the job.
- » Exact pattern duplication is guaranteed by using the finest CNC moulding technology. All knives are created and sharpened in our facility, ensuring a consistent product run after run.



- » Rope and dentil mouldings are applied by hand with glue—never nailed or stapled.
- » Every piece is inspected individually under bright light before shipping.

Wood Products

Decorative Wood & Moulding

Species	188-189
Warranty	188
Corbels Chart	190-191
Fireplace Corbels Chart	192
Posts & Legs Chart	193-195
Onlays & Appliqués Chart	196-197
Capitals Chart	197
Cabinet Feet Chart	198-199
Wood Display Towers	200-201
Decorative Wood	
Corbels	202-249
Countertop Support Brackets	250-251
Fireplace Corbels	252-255
Capitals	256-259
Onlays & Appliqués	259-267
Metal Onlay	263
Corner Posts	268-270
Corner Legs	271-273
Post Sleeves	274-275
Posts	276-311
Cabinet Feet	312-321
Metal Feet	321
Moulding	
Linear Foot Pricing	322
Moulding Multiples Quick Reference	323
Hand Carved Moulding	324-326
Crown	327-340
Rope	341-346
Dentil	347-349
Embossed	350
Base	351-353
Accent	354-355
Light Rail	356-358
Stemware	359
Beauty	360
Columns	361-363
Fluted Columns	364
Corners	365-366
Transition Blocks	367-369
Moulding Cornice Blocks	370
Rosettes	371-372
Design Software Libraries NEW	373

Dovetail Drawer Boxes

Dovetail Drawer Boxes	374-375
Rollouts & High-Back Rollouts	376
Drawer Box Linear Material	376
Complimentary Laser Engraving	377
Warranty	377
Custom Tray Organizers	378-379
In Stock Preassembled Rollout Drawers	380-381
Calculations for Ordering	382

Carvings and linear mouldings are available in North American hardwoods including:



Alder (ALD) – superior clear FAS grade; typical “rustic” characteristics are defected out (such as heavy mineral, heavy sap, or severe knots); pulled for uniform pink coloration



Cherry (CH) – FAS select grade, pulled for maximum red-colored heartwood on the best face



Maple (MP/HMP) – New York and Michigan select hard maple; FAS grade 1&2 white



Oak (OK) – FAS superior grade select Appalachian red oak; pulled for wheat color



Poplar (POP) – Southern FAS natural poplar; a mixture of sap and heartwood; blacks, purples, and greens are acceptable; this is our paint-grade species for linear mouldings

Most carvings are also available in species designed for price-sensitive projects, including:



Rubberwood (RW) – a member of the maple family, this hardwood comes from trees whose sap produces latex (rubber); an environmentally friendly wood due to its secondary use in furniture and carvings; dense tight grain with even coloration ranging from pink to light brown; accepts stain readily to match a wide variety of North American species



White Birch (WB) – hardwoods including Asian white birch, Baltic birch, and Asian soft maple; pale white in color with finely textured grain makes this species a good staining alternative to hard maple

Decorative Wood & Moulding Warranty

Hardware Resources believes in quality, integrity, and reliability. We uphold the highest standards of service and responsibility in the industry.

As such, Hardware Resources warrants all Decorative Wood and Moulding to be free from any defects in material and workmanship. This warranty is valid for up to 1 year from the time of original purchase. Hardware Resources will send the original consumer purchaser, without charge, new replacement product of equal size and species to replace any defective wood or moulding product subject to this warranty. This warranty is a warranty of replacement only. Hardware Resources specifically does not warrant removal of the defective product nor installation of the new one. This warranty does not cover the finish work on the new product, product that has been incorrectly installed, exposed to extreme temperatures or humidity, or otherwise used in any manner contrary to their intended purpose. Moulding sold in less than carton quantity is subject to damage in shipping and is not eligible for a warranty claim.

In the unlikely event that a defective Decorative Wood or Moulding is encountered, please contact Customer Service at 800.463.0660. Please be able to provide a brief description and photographs of the defect.



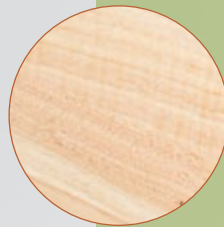
What is Rubberwood?

Rubberwood comes from the Para rubber tree, *Hevea Brasiliensis*, which is plantation-grown and produces latex used in making rubber.



Rubberwood is environmentally friendly!

Once the tree reaches maturity (usually about 25–30 years old), it ceases producing latex. Rather than being scrapped or burned, those mature trees are harvested and cut into lumber, and new trees are planted.



Rubberwood has consistent grain & coloring.

It is a light-colored medium-density hardwood that is characterized by straight grain with an open texture. Like all hardwoods, it takes on stains easily.



Rubberwood is a stable construction material.

It can be used to make many products due to its minimal shrinkage in the kiln drying process. Some products include: cabinets, drawer boxes, floors, counter & table tops, furniture, kitchen accessories and more.

Corbels



COR D
page 203



COR B
pages 203-204



COR MJ
page 204



COR K
pages 205-206



COR P
page 206



COR S
page 207



COR E
page 207



COR AA
page 208



COR MI
page 209



COR C
pages 209, 213



COR N
page 210



COR Q
pages 211-212



COR F
page 213



COR 17
page 214



COR 30
page 215



COR 2
page 216



COR 4
page 216



COR 26
page 217



COR G
page 218



COR J
page 218



COR W
page 219



COR 25
page 220



COR 44
page 221



COR 22
page 222



COR 19
page 223



COR 20
page 224



COR O/COR H
pages 225-226



COR 16
page 227



COR X
page 227



COR V
page 227



COR 46
page 228



COR 28
page 228



COR SM
page 229



COR SQ
page 229



COR 9
page 230



CORU
page 231



COR32
page 232



COR33
page 233



CORZ
page 234



COR40
page 235



CORM
page 236



COR8
page 237



COR38
page 238



COR39
page 239



CORT-S
page 240



CORT-P
page 240



CORT-F
page 240



COR42
page 241



COR43
page 241



COR23
page 242



COR24
page 243



COR5
page 244



COR6
page 245



COR41
page 246



COR47
page 247



COR36
page 247



COR35
page 248



COR37
page 248



COR34
page 249



COR45
page 249



Fireplace Corbels



FCORB
page 252



FCORQ
page 252



FCOR5
page 253



FCOR6
page 253



FCORE
page 254



FCOR4
page 254



FCORV
page 255



FCOR21
page 255



CP-1
page 268



CP-2
page 269



CP-3
page 270



CL-1
page 271



CL-3
page 271



CL-2
page 271



LEGB
page 272



LEGC
page 272



LEGA
page 273



LEGD
page 273



P81
page 277



P1
pages
278-279



P23
page 280



P28/P29
page 281



P4
page 282



P6
page 282



P15
page 282



P16
page 282



P26
page 283



P14
page 284



P19
page 284



P22
page 284

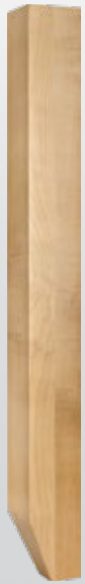
Posts & Legs



P2/P20 pages 285-286 P3/P21 page 287 P9 page 288 PS-9 page 288 P27 page 289 P35 page 290 P78 page 291 P70 page 292 P38 page 293 P13 page 294 P37 page 295



P83 page 296 P82 page 297 P34 page 297 P39 page 298 P36 page 298 P41 page 298 P73 page 299 P60 page 299 P74 page 300 P72 page 300 P64 page 301



P32
page 302



P33
page 302



P42
page 302



P31
page 303



P43
pages 303-304



P63
page 304



P75
page 305



P65
page 305



P67
page 306



P68
pages 306-307



P79
page 307



P80
page 308



P71
page 309



P76
page 310



P77
page 310



P66
page 311



Onlays & Appliqués



PAPL-12
APL-12
page 267



PAPL-13
APL-13
page 266



PAPL-08
APL-08
page 266



PAPL-09
APL-09
page 266



PAPL-06
APL-06
page 266



PAPL-07
APL-07
page 266



PAPL-14
APL-14
APL-14-5
page 267



AP001
page 259



ONL-01
page 259



PONL-02
APL-02
page 260



ONL-02-16
page 260



ONL-02
page 260



PONL-04
APL-04
page 261



PONL-08
ONL-08
page 261



ONL-09
page 262



ONL-10
page 262



ONL-04
page 262



ONL-07
page 263



MONL-01BLK
page 263



ONL-06
page 264



PAPL-05
APL-05
page 264



PAPL-11
APL-11
page 265



PAPL-10
APL-10
page 265

Capitals



CAP1
page 256



CAP2
page 256



CAP3
page 256



CAP4
page 256



CAP5
page 257



CAP6
page 257



PC-1
page 258



PC-2
page 258



PC-3
page 258



FC1
page 258



FP1
page 258



MRH-1
page 259



FBP1
page 258

Cabinet Feet



WL80 - 8"
WL60 - 6"
page 313



WLC86 - 8"
WLC60 - 6"
page 313



WLC80 - 8"
page 313



WLF80 - 8"
WLF60 - 6"
page 314



WLC80 - 8"
WLC60 - 6"
page 314



WL85 - 8"
WL65 - 6"
page 313



WLC85-8"
WLC65-6"
page 313



WL82 - 8"
page 313



WLC50 - 5"
page 314



WL50 - 5"
page 314



PFL/PFR - 4"
page 315



PFC - 4"
page 315



PFCS - 4"
page 315



PFM1 - Middle
page 315



PFL-B/PFR-B - 4-1/2"
page 316



PFC-B - 4-1/2"
page 316



PFCS-B - 4-1/2"
page 316



PFM1-B - Middle
page 316



PFL2/PFR2 - 4-1/2"
page 317



PFCS2 - 4-1/2"
page 317



PFM2 - Middle
page 317



PFSHA - 4-1/2"
page 317



PFCSHA - 4-1/2"
page 317



PFCOV - 4-1/2"
page 318



PFCCOV - 4-1/2"
page 318



LBF45 - 4-1/2"
page 318



FBF45 - 4-1/2"
page 318



SBF45 - 4-1/2"
page 318



BF70 - 4"
page 319



BF45 - 4-1/2"
page 319



BF14-5 - 4"
page 319



BF14-4 - 5"
page 319



BF42 - 4"
page 318



BF14-3 - 4"
page 319



BF14-1 - 5"
page 319



BF14-2 - 4"
page 319



BF15-1-8 - 8"
BF15-1-6 - 6"
page 320



BF15-2-8 - 8"
BF15-2-6 - 6"
page 320



BF33 - 4-1/2"
page 319



BF32 - 4-1/2"
page 318



BF34 - 4"
BF34-5 - 4-1/2"
page 318



BF90 - 4-1/4"
page 319



BF41 - 4-1/2"
page 320



BF35 - 4-1/2"
page 318



BF40 - 4-1/2"
page 319



BF16-1 - 4-1/2"
page 319



BF16-2 - 4-1/2"
page 319



BF16-3-6 - 6"
page 320



BF16-3-8 - 8"
page 320



BF4 - 4"
page 320



BF60 - 6"
page 320



BF30 - 3"
page 320

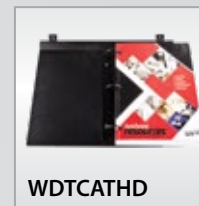
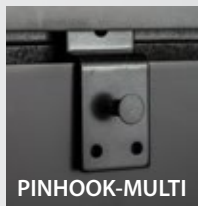


BFC40 - 3"
page 320

Showcase decorative corbels & posts so customers can visualize their design

Display Tower Features

- Mix-and-match corbels & posts for a custom design option or order our predesigned tower
- Display coordinating corbels & posts together
- Unfinished wood products allow customization with the preferred finish
- Use pin hooks & post brackets to arrange the selected wood products on the slat wall panels
- Dimensions: 34-15/16" Diameter x 80-7/8" Height



Available Accessories:

PINHOOK-MULTI	Pin hooks for slat walls, 5-piece package
5.0PB-MULTI	5" post brackets, 3 sets per package
3.5PB-MULTI	3-1/2" post brackets, 3 sets per package
WDTCATHD	Catalog Holder for Wood Display Tower
WDTSOHD	Special Order Form Holder



Wood Display Tower
Item #: WDT-36

We've created a Predesigned Wood Display Tower to help get you started

Each wing features the most popular corbels & posts in each category

- 3 different styles: Transitional, Traditional, and Contemporary
- The towers are stocked with unfinished rubberwood corbels and posts
- Alternate wood species upgrades are available by request
- The tower is included FREE with the purchase of the predesigned layout

Transitional Item Number

1	CORG-5-RW
2	CORG-4-RW
3	CORG-3-RW
4	CORG-RW
5	COR39-1-RW
6	COR39-2-RW
7	COR39-RW
8	COR39-3-RW
9	COR38-1-RW
10	COR38-2-RW
11	COR38-RW
12	COR38-3-RW
13	CORZ-1RW
14	CORZ-5-RW
15	CORZ-3RW
16	P83-5-42-RW
17	P83-RW



Traditional Item Number

1	CORMJ-RW
2	CORBB-5-RW
3	CORB-PRW
4	CORBB-1RW
5	CORD-RW
6	CORBB-2RW
7	CORBB-3RW
8	CORN-4RW
9	CORC-5-RW
10	CORF-5-RW
11	CORC-PRW
12	CORN-2RW
13	CORN-3RW
14	CORC-1RW
15	CORN-6RW
16	CORC-2RW



Contemporary Item Number

1	CORO-5-RW
2	CORO-2RW
3	CORO-4-RW
4	COR22-5-RW
5	CORO-6-RW
6	CORH-2-RW
7	PS-9-5-RW
8	COR41-1-RW
9	COR41-2-RW
10	COR41-3-RW
11	P78-RW
12	P78-5-42-RW



Corbels





CORBB-24		
Width	Depth	Height
9-1/2"	16"	24"
Carton Quantity:		1

White Birch



CORB-4		
Width	Depth	Height
8-1/4"	6-1/4"	14"
Carton Quantity:		2

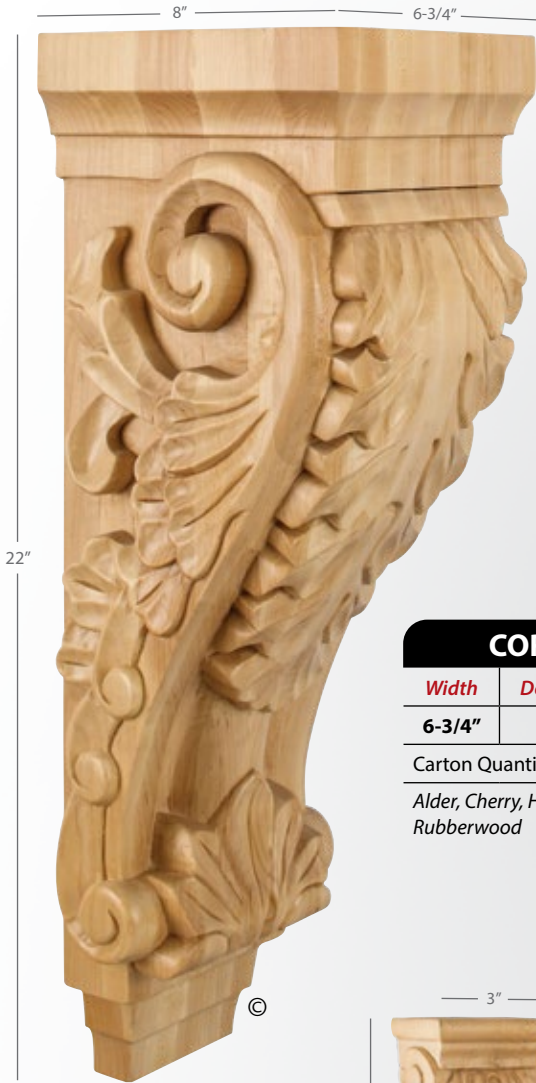
Alder, Cherry, Hard Maple, Rubberwood



CORD		
Width	Depth	Height
4-7/8"	4-1/2"	12"
Carton Quantity:		8

Alder, Cherry, Hard Maple, Oak, Rubberwood

Corbels



CORBB-3

Width	Depth	Height
6-3/4"	8"	22"
Carton Quantity:		2

Alder, Cherry, Hard Maple, Oak, Rubberwood



CORBB-2

Width	Depth	Height
5"	7"	14"
Carton Quantity:		4

Alder, Cherry, Hard Maple, Oak, Rubberwood



CORB-P

Width	Depth	Height
2-1/2"	2-5/8"	7"
Carton Quantity:		50

Cherry, Hard Maple, Rubberwood



CORMJ

Width	Depth	Height
3"	1-3/4"	4-1/4"
Carton Quantity:		50

Cherry, Hard Maple, Oak, Rubberwood



CORBB-5

Width	Depth	Height
3"	2-1/2"	5"
Inner Carton Qty:		10

Alder, Cherry, Hard Maple, Rubberwood, White Birch



CORBB-1

Width	Depth	Height
4-1/2"	5"	10"
Carton Quantity:		8

Alder, Cherry, Hard Maple, Oak, Rubberwood



CORK-5

Width	Depth	Height
8-1/2"	4-3/4"	35"

Carton Quantity: 2

Alder, Cherry, Hard Maple, Rubberwood



CORK-4

Width	Depth	Height
7"	3-3/4"	22"

Carton Quantity: 4

Alder, Cherry, Hard Maple, Rubberwood



CORK-6

Width	Depth	Height
5-1/2"	3-1/2"	14"

Carton Quantity: 10

Alder, Cherry, Hard Maple, Rubberwood

Corbels



CORK-3		
Width	Depth	Height
1-7/8"	4-1/2"	10"
Carton Quantity:		25

Alder, Cherry, Hard Maple, Oak, Rubberwood



CORK-2		
Width	Depth	Height
1-1/2"	3-5/8"	8"
Carton Quantity:		40

Alder, Cherry, Hard Maple, Oak, Rubberwood



CORK-1		
Width	Depth	Height
1-3/8"	2-3/4"	6"
Carton Quantity:		50

Alder, Cherry, Hard Maple, Oak, Rubberwood



CORP-1		
Width	Depth	Height
1-1/2"	2-7/8"	4-1/2"
Carton Quantity:		50

Cherry, Hard Maple, Rubberwood



CORP-2		
Width	Depth	Height
1-1/2"	3-5/8"	5-1/2"
Carton Quantity:		50

Cherry, Hard Maple, Rubberwood



CORP-3		
Width	Depth	Height
2"	4-1/2"	7"
Carton Quantity:		50

Cherry, Hard Maple, Rubberwood



CORs		
Width	Depth	Height
2-5/8"	9"	13-1/8"
Carton Quantity:		10

Alder, Cherry, Hard Maple, Rubberwood



CORE		
Width	Depth	Height
3-3/8"	7-3/4"	13"
Carton Quantity:		8

Alder, Cherry, Hard Maple, Oak, Rubberwood, White Birch



CORE-1		
Width	Depth	Height
3"	7"	10"
Carton Quantity:		8

Alder, Cherry, Hard Maple, Rubberwood, White Birch



CORE-2		
Width	Depth	Height
3"	6"	8"
Carton Quantity:		12

Alder, Cherry, Hard Maple, Rubberwood, White Birch



CORAA-3

Width	Depth	Height
6-3/4"	7-5/8"	22"
Carton Quantity:		2

Alder, Hard Maple, Rubberwood



CORAA-2

Width	Depth	Height
5"	7"	14"
Carton Quantity:		4

Alder, Cherry, Hard Maple, Rubberwood



CORAA-1

Width	Depth	Height
4-1/2"	5"	10"
Carton Quantity:		8

Alder, Cherry, Hard Maple, Rubberwood, White Birch



CORC-3		
Width	Depth	Height
6-3/4"	7-5/8"	22"
Carton Quantity:		2
Alder, Cherry, Hard Maple, Oak, Rubberwood		



CORC-2		
Width	Depth	Height
5"	6-3/4"	14"
Carton Quantity:		4
Alder, Cherry, Hard Maple, Oak, Rubberwood		



CORC-1		
Width	Depth	Height
4-1/2"	5"	10"
Carton Quantity:		8
Alder, Cherry, Hard Maple, Oak, Rubberwood		



CORMI		
Width	Depth	Height
3"	1-1/2"	4-1/4"
Carton Quantity:		50
Cherry, Hard Maple, Oak, Rubberwood		



CORC-5		
Width	Depth	Height
3"	2-1/2"	5"
Inner Carton Qty:		10
Alder, Cherry, Hard Maple, Rubberwood, White Birch		



CORC-P		
Width	Depth	Height
2-5/8"	2-5/8"	7"
Carton Quantity:		50
Alder, Cherry, Hard Maple, Rubberwood		

Corbels



CORN-5

Width	Depth	Height
8-1/2"	5-1/2"	22"
Carton Quantity:		2

Alder, Cherry, Hard Maple, Rubberwood



CORN-6

Width	Depth	Height
7"	3-3/4"	22"
Carton Quantity:		4

Alder, Cherry, Hard Maple, Rubberwood



CORN-4

Width	Depth	Height
5-3/8"	3-1/2"	14"
Carton Quantity:		10

Alder, Cherry, Hard Maple, Rubberwood



CORN-4.5

Width	Depth	Height
2"	1-7/16"	4"
Inner Carton Qty:		10

Alder, Cherry, Hard Maple, Rubberwood, White Birch



CORN-3

Width	Depth	Height
3-7/8"	2-1/2"	10"
Carton Quantity:		25

Alder, Cherry, Hard Maple, Rubberwood



CORN-2

Width	Depth	Height
3-1/16"	2"	8"
Carton Quantity:		50

Alder, Cherry, Hard Maple, Rubberwood



CORN-1

Width	Depth	Height
2-5/16"	1-1/2"	6"
Carton Quantity:		50

Alder, Cherry, Hard Maple, Rubberwood



CORQ-3

Width	Depth	Height
6-3/4"	7-5/8"	22"

Carton Quantity: 2

Alder, Cherry, Hard Maple, Rubberwood



CORQ-2

Width	Depth	Height
5"	6-3/4"	14"

Carton Quantity: 4

Alder, Cherry, Hard Maple, Rubberwood



CORQ-7

Width	Depth	Height
8-1/8"	6-1/8"	14"

Carton Quantity: 6

Cherry, Hard Maple, Rubberwood

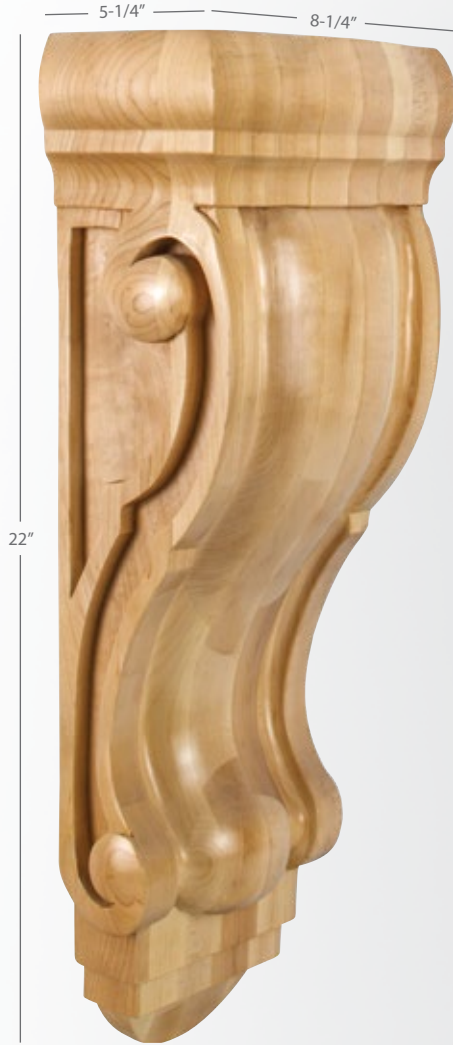


CORQ-1

Width	Depth	Height
4-1/2"	5-3/4"	9-3/4"

Carton Quantity: 8

Alder, Cherry, Hard Maple, Rubberwood



CORQ-6

Width	Depth	Height
8-1/4"	5-1/4"	22"

Carton Quantity: 2

Cherry, Hard Maple,
Rubberwood



CORQ-5

Width	Depth	Height
5"	3-5/16"	14"

Carton Quantity: 10

Cherry, Hard Maple,
Rubberwood



CORQ-4

Width	Depth	Height
3-5/8"	2-1/2"	10"

Carton Quantity: 16

Cherry, Hard Maple,
Rubberwood



CORC-24

Width	Depth	Height
9-1/2"	16"	24"
Carton Quantity:		1

White Birch



CORF

Width	Depth	Height
3-3/8"	7-3/4"	13"
Carton Quantity:		8

Alder, Cherry, Hard Maple, Oak, Rubberwood, White Birch



CORF-1

Width	Depth	Height
3"	7"	10"
Carton Quantity:		8

Alder, Cherry, Hard Maple, Rubberwood, White Birch



CORF-2

Width	Depth	Height
3"	6"	8"
Carton Quantity:		12

Alder, Cherry, Hard Maple, Rubberwood, White Birch



CORF-5

Width	Depth	Height
3-1/16"	3-1/16"	5"
Inner Carton Qty:		10

Alder, Cherry, Hard Maple, Rubberwood, White Birch



COR17-3

Width	Depth	Height
7"	7"	22"
Carton Quantity:		2

Alder, Hard Maple, Rubberwood



COR17-2

Width	Depth	Height
5-1/2"	5"	14"
Carton Quantity:		4

Alder, Cherry, Hard Maple,
Rubberwood



COR17-1

Width	Depth	Height
4-1/2"	3"	10"
Carton Quantity:		10

Alder, Cherry, Hard Maple,
Rubberwood



COR30-3[†]

Width	Depth	Height
6-1/2"	7-1/2"	18"

Carton Quantity: 2

Hard Maple, Rubberwood



COR30-2[†]

Width	Depth	Height
5"	6-1/2"	14"

Carton Quantity: 4

Alder



COR30-1[†]

Width	Depth	Height
4"	5"	10"

Carton Quantity: 8

Alder, Hard Maple



Corbels



COR2-2

Width	Depth	Height
3"	9-3/8"	14"
Carton Quantity:		8

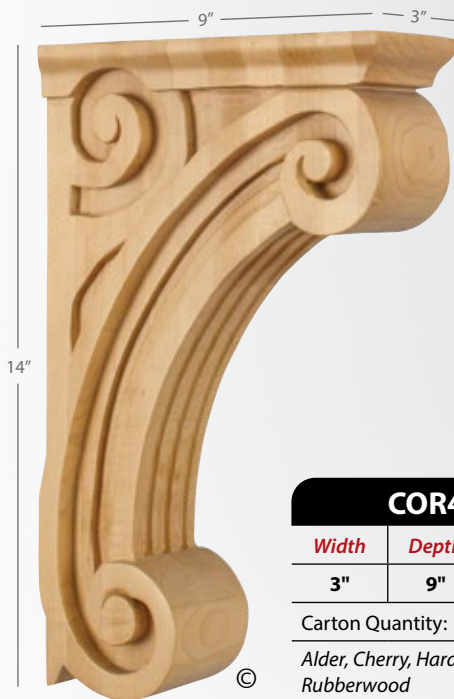
Alder, Cherry, Hard Maple, Rubberwood



COR2-1

Width	Depth	Height
3"	6-5/8"	10"
Carton Quantity:		8

Alder, Cherry, Hard Maple, Rubberwood



COR4-2

Width	Depth	Height
3"	9"	14"
Carton Quantity:		4

Alder, Cherry, Hard Maple, Rubberwood



COR4-1

Width	Depth	Height
3"	6-1/2"	10"
Carton Quantity:		8

Alder, Cherry, Hard Maple, Rubberwood



COR26-3

Width	Depth	Height
4"	9-3/4"	16"

Carton Quantity: 4

Alder, Cherry, Hard Maple, Rubberwood



COR26-2

Width	Depth	Height
3"	7-3/4"	14"

Carton Quantity: 6

Alder, Cherry, Hard Maple, Rubberwood



COR26-1

Width	Depth	Height
3"	5-3/4"	12"

Carton Quantity: 8

Alder, Cherry, Hard Maple, Rubberwood

Corbels



CORG-2		
Width	Depth	Height
3"	8-5/16"	14"
Carton Quantity:		12

Alder, Cherry, Hard Maple, Rubberwood, White Birch



CORG		
Width	Depth	Height
3"	6-1/2"	12"
Carton Quantity:		12

Alder, Cherry, Hard Maple, Oak, Rubberwood, White Birch



CORG-5		
Width	Depth	Height
3"	2-1/2"	5"
Inner Carton Qty:		10

Alder, Cherry, Hard Maple, Rubberwood, White Birch



CORJ		
Width	Depth	Height
3"	6-1/2"	12"
Carton Quantity:		20

Alder, Cherry, Hard Maple, Oak, Rubberwood, White Birch



CORG-3		
Width	Depth	Height
3"	6-1/2"	10"
Carton Quantity:		8

Alder, Cherry, Hard Maple, Rubberwood, White Birch



CORG-4		
Width	Depth	Height
3"	5-1/2"	8"
Carton Quantity:		8

Alder, Cherry, Hard Maple, Rubberwood, White Birch



CORW-3

Width	Depth	Height
3-1/2"	10"	16"

Carton Quantity: 4

Alder, Cherry, Hard Maple, Rubberwood



CORW-2

Width	Depth	Height
3"	8"	14"

Carton Quantity: 8

Alder, Cherry, Hard Maple, Rubberwood



CORW-1

Width	Depth	Height
2-1/2"	6"	12"

Carton Quantity: 12

Alder, Cherry, Hard Maple, Rubberwood

Corbels



COR25-3[†]

Width	Depth	Height
3-1/2"	8"	18"
Carton Quantity:		4

Alder, Hard Maple



COR25-2[†]

Width	Depth	Height
2-1/2"	6"	14"
Carton Quantity:		8

Alder, Hard Maple



These products are being retired.
Check availability online or call for products marked with "†".

800.463.0660 | www.HardwareResources.com

hardware
resources[®]



COR44-3

Width	Depth	Height
5"	8"	12"
Carton Quantity:		4

Alder, Cherry, Hard Maple,
Rubberwood



COR44-2

Width	Depth	Height
5"	7"	10"
Carton Quantity:		8

Alder, Cherry, Hard Maple,
Rubberwood



COR44-1

Width	Depth	Height
4"	6"	8"
Carton Quantity:		12

Alder, Cherry, Hard Maple,
Rubberwood



COR22-5

Width	Depth	Height
3"	2"	4"
Inner Carton Qty:		10

Alder, Cherry, Hard Maple, Rubberwood, White Birch



COR22-3

Width	Depth	Height
7"	12"	22"
Carton Quantity:		2

Alder, Hard Maple, Rubberwood

COR22-2

Width	Depth	Height
5"	7"	14"
Carton Quantity:		4

Alder, Cherry, Hard Maple, Rubberwood

COR22-1

Width	Depth	Height
4"	5"	10"
Carton Quantity:		8

Alder, Cherry, Hard Maple, Rubberwood



COR19-3

Width	Depth	Height
7"	6"	22"

Carton Quantity: 2

Alder, Cherry, Hard Maple, Rubberwood



COR19-2

Width	Depth	Height
6"	5"	14"

Carton Quantity: 4

Alder, Cherry, Hard Maple, Rubberwood



COR19-1

Width	Depth	Height
5"	4"	10"

Carton Quantity: 8

Alder, Cherry, Hard Maple, Rubberwood



COR20-3

Width	Depth	Height
7"	6"	22"
Carton Quantity:		2

Alder, Rubberwood



COR20-2

Width	Depth	Height
6"	5"	14"
Carton Quantity:		4

Alder, Cherry, Hard Maple,
Rubberwood



COR20-1

Width	Depth	Height
5"	4"	10"
Carton Quantity:		8

Alder, Cherry, Hard Maple,
Rubberwood



CORO-3

Width	Depth	Height
6-3/4"	7-3/4"	22"
Carton Quantity:		2

Alder, Cherry, Hard Maple, Rubberwood



CORO-4

Width	Depth	Height
5"	8"	12"
Carton Quantity:		4

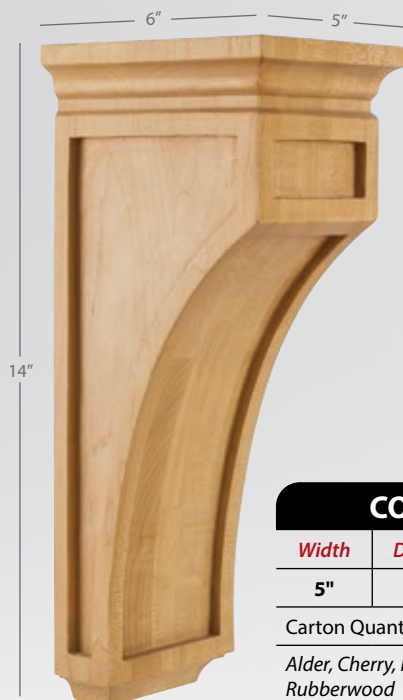
Alder, Cherry, Hard Maple, Rubberwood, White Birch



CORO-5

Width	Depth	Height
5"	7"	10"
Carton Quantity:		4

Alder, Cherry, Hard Maple, Rubberwood, White Birch



CORO-2

Width	Depth	Height
5"	6"	14"
Carton Quantity:		4

Alder, Cherry, Hard Maple, Rubberwood



CORO-6

Width	Depth	Height
3"	2"	4"
Inner Carton Qty:		10

Alder, Cherry, Hard Maple, Rubberwood, White Birch



CORH-1

Width	Depth	Height
3"	12"	12"
Carton Quantity:		4

*Alder, Cherry, Hard Maple,
Rubberwood, White Birch*



CORH

Width	Depth	Height
2-15/16"	6"	14"
Carton Quantity:		8

*Alder, Cherry, Hard Maple, Oak,
Rubberwood*



CORH-2

Width	Depth	Height
3"	6"	8"
Carton Quantity:		4

*Alder, Cherry, Hard Maple,
Rubberwood, White Birch*



COR16-A

Width	Depth	Height
2"	6"	8"
Carton Quantity:		8

Hard Maple, Rubberwood



COR16-B

Width	Depth	Height
2"	6"	8"
Carton Quantity:		8

Hard Maple, Rubberwood



CORX-1

Width	Depth	Height
4-3/8"	5"	10"
Carton Quantity:		8

Cherry, Hard Maple, Rubberwood, White Birch



CORV

Width	Depth	Height
1-7/8"	7-1/2"	10-1/2"
Carton Quantity:		20

Alder, Hard Maple, Rubberwood

Corbels



COR46-3

Width	Depth	Height
1-3/4"	9"	12"
Carton Quantity:		8

Alder, Cherry, Hard Maple, Rubberwood, White Birch



COR46-4

Width	Depth	Height
1-3/4"	10"	10-1/16"
Carton Quantity:		8

Alder, Cherry, Hard Maple, Rubberwood, White Birch



COR46-2

Width	Depth	Height
1-3/4"	7"	10"
Carton Quantity:		12

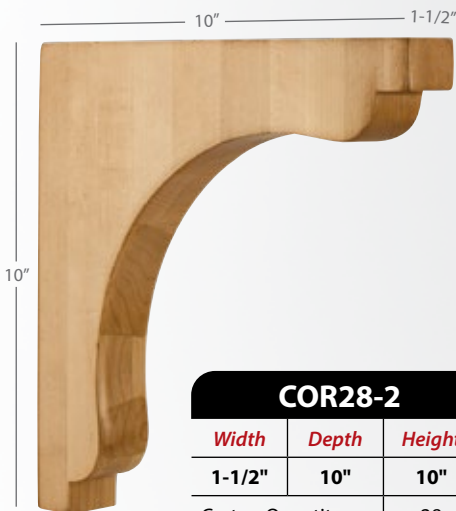
Alder, Cherry, Hard Maple, Rubberwood, White Birch



COR46

Width	Depth	Height
1-3/4"	6"	8"
Carton Quantity:		8

Alder, Cherry, Hard Maple, Rubberwood, White Birch



COR28-2

Width	Depth	Height
1-1/2"	10"	10"
Carton Quantity:		28

Alder, Cherry, Hard Maple, Oak, Rubberwood



COR28-1

Width	Depth	Height
1-1/4"	7"	7"
Carton Quantity:		56

Alder, Cherry, Hard Maple, Oak, Rubberwood



CORSM-3		
Width	Depth	Height
1-3/4"	10-1/2"	13-1/8"
Carton Quantity:		10
<i>Alder, Cherry, Hard Maple, Rubberwood</i>		



CORSM-2		
Width	Depth	Height
1-3/4"	8-1/2"	11"
Carton Quantity:		16
<i>Alder, Cherry, Hard Maple, Rubberwood</i>		



CORSM-1		
Width	Depth	Height
1-3/4"	7-1/2"	9-1/2"
Carton Quantity:		20
<i>Alder, Cherry, Hard Maple, Rubberwood</i>		



CORSQ-1		
Width	Depth	Height
1-3/4"	5"	7"
Carton Quantity:		30
<i>Alder, Cherry, Hard Maple, Rubberwood</i>		



CORSQ-2		
Width	Depth	Height
1-3/4"	7-1/2"	9-1/2"
Carton Quantity:		20
<i>Alder, Cherry, Hard Maple, Rubberwood</i>		



CORSQ-3		
Width	Depth	Height
1-3/4"	8-1/2"	11"
Carton Quantity:		16
<i>Alder, Cherry, Hard Maple, Rubberwood</i>		

Corbels



COR9-4

Width	Depth	Height
5-15/16"	18"	16"
Carton Quantity:		2

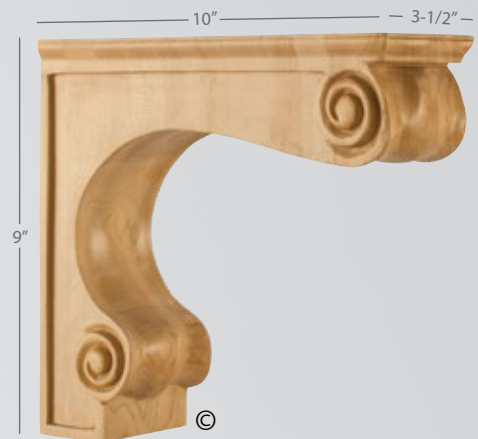
Hard Maple, Rubberwood



COR9-3

Width	Depth	Height
4-5/8"	14"	12-1/2"
Carton Quantity:		4

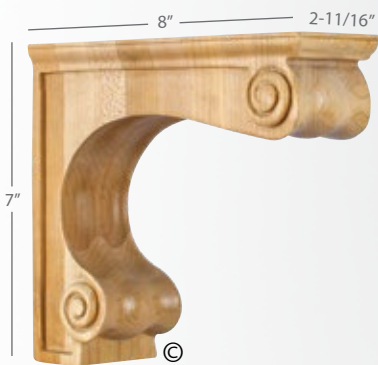
Hard Maple, Rubberwood



COR9-2

Width	Depth	Height
3-1/2"	10"	9"
Carton Quantity:		8

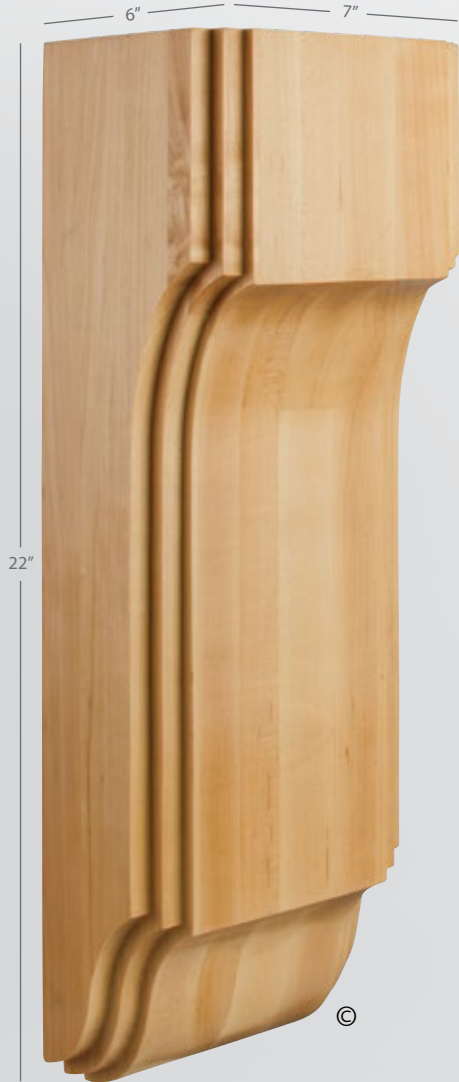
Hard Maple, Rubberwood



COR9-1

Width	Depth	Height
2-11/16"	8"	7"
Carton Quantity:		8

Hard Maple, Rubberwood



CORU-3[†]

Width	Depth	Height
7"	6"	22"
Carton Quantity:		2

Alder, Hard Maple



CORU-1[†]

Width	Depth	Height
4"	4"	10"
Carton Quantity:		8

Alder, Hard Maple



Corbels



COR32-3

Width	Depth	Height
5"	18"	18"

Carton Quantity: 2

Alder, Hard Maple, Rubberwood



COR32-2

Width	Depth	Height
5"	7"	14"

Carton Quantity: 4

Alder, Hard Maple, Rubberwood



COR32-1

Width	Depth	Height
5"	5"	9"

Carton Quantity: 8

Alder, Hard Maple, Rubberwood



COR33-3

Width	Depth	Height
5"	9"	12"
Carton Quantity:		4

Alder, Cherry, Hard Maple, Rubberwood



COR33-2

Width	Depth	Height
5"	6"	10"
Carton Quantity:		4

Alder, Cherry, Hard Maple, Rubberwood



COR33-1

Width	Depth	Height
5"	6"	8"
Carton Quantity:		8

Alder, Cherry, Hard Maple, Rubberwood

Corbels



CORZ-3		
Width	Depth	Height
3"	6"	18"
Carton Quantity:		12

Alder, Cherry, Hard Maple, Rubberwood, White Birch



CORZ-1		
Width	Depth	Height
3"	10"	14"
Carton Quantity:		16

Alder, Cherry, Hard Maple, Rubberwood, White Birch



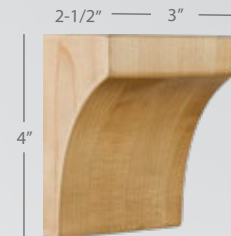
CORZ-5		
Width	Depth	Height
1-3/4"	8"	11"
Carton Quantity:		8

Alder, Cherry, Hard Maple, Rubberwood, White Birch



CORZ-2		
Width	Depth	Height
3"	8"	9"
Carton Quantity:		8

Alder, Cherry, Hard Maple, Rubberwood, White Birch



CORZ-4		
Width	Depth	Height
3"	2-1/2"	4"
Inner Carton Qty:		10

Alder, Cherry, Hard Maple, Rubberwood, White Birch



COR40[†]		
<i>Width</i>	<i>Depth</i>	<i>Height</i>
2"	8"	22"
Carton Quantity:		8

Alder, Hard Maple, Rubberwood



COR40-1[†]		
<i>Width</i>	<i>Depth</i>	<i>Height</i>
2"	8"	14"
Carton Quantity:		10

Alder, Hard Maple



Corbels



CORM-2		
Width	Depth	Height
2"	9"	14"
Carton Quantity:		8

Alder, Cherry, Hard Maple, Rubberwood, White Birch



CORM-1		
Width	Depth	Height
2"	8"	12"
Carton Quantity:		8

Alder, Cherry, Hard Maple, Rubberwood, White Birch



CORM		
Width	Depth	Height
2"	7-1/2"	10-1/2"
Carton Quantity:		8

Alder, Hard Maple, Rubberwood, White Birch



CORM-3		
Width	Depth	Height
3"	7-5/8"	10-1/2"
Carton Quantity:		16

Alder, Hard Maple, Rubberwood, White Birch



COR8-2		
Width	Depth	Height
2-1/2"	12"	12"
Carton Quantity:		20

Alder, Hard Maple, Rubberwood, White Birch



COR8-1		
Width	Depth	Height
2-1/2"	8"	8"
Carton Quantity:		20

Cherry, Rubberwood, White Birch



COR8-6		
Width	Depth	Height
2-1/2"	6"	8"
Carton Quantity:		20

Rubberwood, White Birch



COR8-6.5		
Width	Depth	Height
2-1/2"	6"	6"
Carton Quantity:		20

Rubberwood, White Birch



COR38-3		
Width	Depth	Height
3"	8"	14"
Carton Quantity:		12
<i>Alder, Cherry, Hard Maple, Rubberwood</i>		



COR38		
Width	Depth	Height
3"	6-1/2"	12"
Carton Quantity:		12
<i>Alder, Cherry, Hard Maple, Rubberwood</i>		



COR38-2		
Width	Depth	Height
3"	6-1/2"	10"
Carton Quantity:		8
<i>Alder, Cherry, Hard Maple, Rubberwood</i>		



COR38-1		
Width	Depth	Height
3"	6-1/2"	8"
Carton Quantity:		12
<i>Alder, Cherry, Hard Maple, Rubberwood</i>		



COR39-3		
Width	Depth	Height
3"	8"	14"
Carton Quantity:		12

Alder, Cherry, Hard Maple, Rubberwood



COR39		
Width	Depth	Height
3"	6-1/2"	12"
Carton Quantity:		12

Alder, Cherry, Hard Maple, Rubberwood



COR39-2		
Width	Depth	Height
3"	6-1/2"	10"
Carton Quantity:		8

Alder, Cherry, Hard Maple, Rubberwood



COR39-1		
Width	Depth	Height
3"	6-1/2"	8"
Carton Quantity:		12

Alder, Cherry, Hard Maple, Rubberwood



CORT-S

Width	Depth	Height
3-1/2"	8"	11-13/16"

Carton Quantity: 8

Alder, Cherry, Hard Maple, Rubberwood



CORT-P

Width	Depth	Height
3-1/2"	8"	11-13/16"

Carton Quantity: 8

Alder, Cherry, Hard Maple, Rubberwood



CORT-F

Width	Depth	Height
3-1/2"	8"	11-13/16"

Carton Quantity: 8

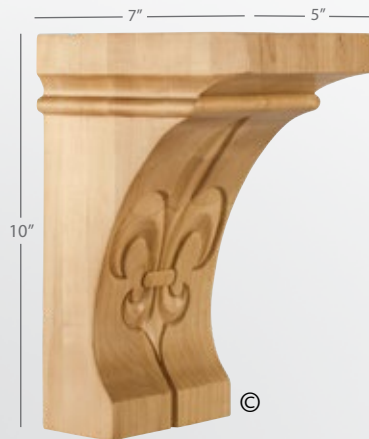
Alder, Cherry, Hard Maple, Rubberwood



COR42-3[†]

Width	Depth	Height
5"	8"	12"
Carton Quantity:		4

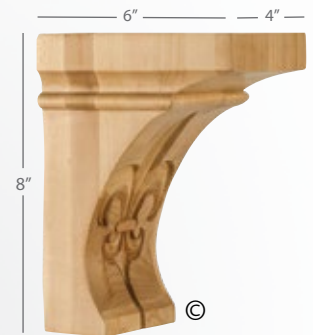
Alder



COR42-2[†]

Width	Depth	Height
5"	7"	10"
Carton Quantity:		8

Alder



COR42-1[†]

Width	Depth	Height
4"	6"	8"
Carton Quantity:		12

Alder



COR43-3[†]

Width	Depth	Height
5"	8"	12"
Carton Quantity:		4

Rubberwood



COR43-2[†]

Width	Depth	Height
5"	7"	10"
Carton Quantity:		8

Alder, Rubberwood



COR43-1[†]

Width	Depth	Height
4"	6"	8"
Carton Quantity:		12

Alder, Hard Maple





COR23-3

Width	Depth	Height
7"	7"	22"
Carton Quantity:		2

Alder, Hard Maple, Rubberwood

COR23-2

Width	Depth	Height
6"	4"	14"
Carton Quantity:		4

Alder, Cherry, Hard Maple,
Rubberwood

COR23-1

Width	Depth	Height
5"	3"	10"
Carton Quantity:		8

Alder, Cherry, Hard Maple,
Rubberwood



COR24-3[†]		
<i>Width</i>	<i>Depth</i>	<i>Height</i>
7"	9"	21"
Carton Quantity:		2

Alder



COR24-2[†]		
<i>Width</i>	<i>Depth</i>	<i>Height</i>
5"	7"	14"
Carton Quantity:		4

Rubberwood



COR24-1[†]		
<i>Width</i>	<i>Depth</i>	<i>Height</i>
4"	5"	10"
Carton Quantity:		8

Rubberwood



Corbels



COR5-5

Width	Depth	Height
2"	16-7/8"	22"
Carton Quantity:		4

Alder, Rubberwood

COR5-4

Width	Depth	Height
2"	10-11/16"	14"
Carton Quantity:		4

Alder, Cherry, Hard Maple, Rubberwood

COR5-3

Width	Depth	Height
2"	7-5/8"	10"
Carton Quantity:		8

Alder, Cherry, Hard Maple, Rubberwood

COR5-2

Width	Depth	Height
2"	6"	8"
Carton Quantity:		8

Alder, Cherry, Hard Maple, Rubberwood

COR5-1

Width	Depth	Height
2"	4-5/8"	6"
Carton Quantity:		16

Alder, Cherry, Hard Maple, Rubberwood



COR6-3

Width	Depth	Height
3"	11-5/16"	14"
Carton Quantity:		4

Alder, Cherry, Hard Maple, Rubberwood



COR6-2

Width	Depth	Height
3"	8"	10"
Carton Quantity:		8

Alder, Cherry, Hard Maple, Rubberwood



COR6-1

Width	Depth	Height
3"	6-3/8"	8"
Carton Quantity:		8

Alder, Cherry, Hard Maple, Rubberwood



COR41-1

Width	Depth	Height
4"	6"	8"
Carton Quantity:		4

Alder, Cherry, Hard Maple



COR41-2

Width	Depth	Height
5"	7"	10"
Carton Quantity:		8

Alder, Cherry, Hard Maple



COR41-3

Width	Depth	Height
5"	8"	12"
Carton Quantity:		4

Alder, Cherry, Hard Maple



COR47-3		
Width	Depth	Height
5"	8-1/16"	12"
Carton Quantity:		4

Alder, Cherry, Hard Maple, Rubberwood, White Birch



COR47-2		
Width	Depth	Height
4"	7"	10"
Carton Quantity:		8

Alder, Cherry, Hard Maple, Rubberwood, White Birch



COR47-1		
Width	Depth	Height
3"	6"	8"
Carton Quantity:		12

Alder, Cherry, Hard Maple, Rubberwood, White Birch



COR36-1		
Width	Depth	Height
4"	6"	8"
Carton Quantity:		12

Alder, Cherry, Hard Maple, Rubberwood



COR36-2		
Width	Depth	Height
5"	7"	10"
Carton Quantity:		8

Alder, Cherry, Hard Maple, Rubberwood



COR36-3		
Width	Depth	Height
5"	8"	12"
Carton Quantity:		4

Alder, Cherry, Hard Maple, Rubberwood

Corbels



COR35-3 [†]		
Width	Depth	Height
5"	8"	12"
Carton Quantity:		4
<i>Hard Maple, Rubberwood</i>		




COR35-2 [†]		
Width	Depth	Height
5"	7"	10"
Carton Quantity:		8
<i>Rubberwood</i>		



COR35-1 [†]		
Width	Depth	Height
4"	6"	8"
Carton Quantity:		12
<i>Rubberwood</i>		



COR37-1 [†]		
Width	Depth	Height
4"	6"	8"
Carton Quantity:		12
<i>Alder, Rubberwood</i>		

 These products are being retired.
Check availability online or call for products marked with "†".

800.463.0660 | www.HardwareResources.com

hardware
resources[®]



COR34-3 ⁺		
Width	Depth	Height
5"	8"	12"
Carton Quantity:		4

Cherry, Hard Maple,
Rubberwood



COR34-2 ⁺		
Width	Depth	Height
5"	7"	10"
Carton Quantity:		8

Alder, Hard Maple



COR34-1 ⁺		
Width	Depth	Height
4"	6"	8"
Carton Quantity:		12

Alder



COR45-1 ⁺		
Width	Depth	Height
4"	6"	8"
Carton Quantity:		12

Hard Maple, Rubberwood



COR45-2 ⁺		
Width	Depth	Height
5"	7"	10"
Carton Quantity:		8

Alder



COR45-3 ⁺		
Width	Depth	Height
5"	8"	12"
Carton Quantity:		4

Alder, Hard Maple



L-Shaped Countertop Support Brackets



The L-shaped countertop support bracket is designed to provide extra support when mounted over the knee wall. Uniquely designed with holes on both sides, the L-support bracket provides the user options for the most optimal installation results. This item has a weight rating of 150 lb.

CTOPSUP10-L

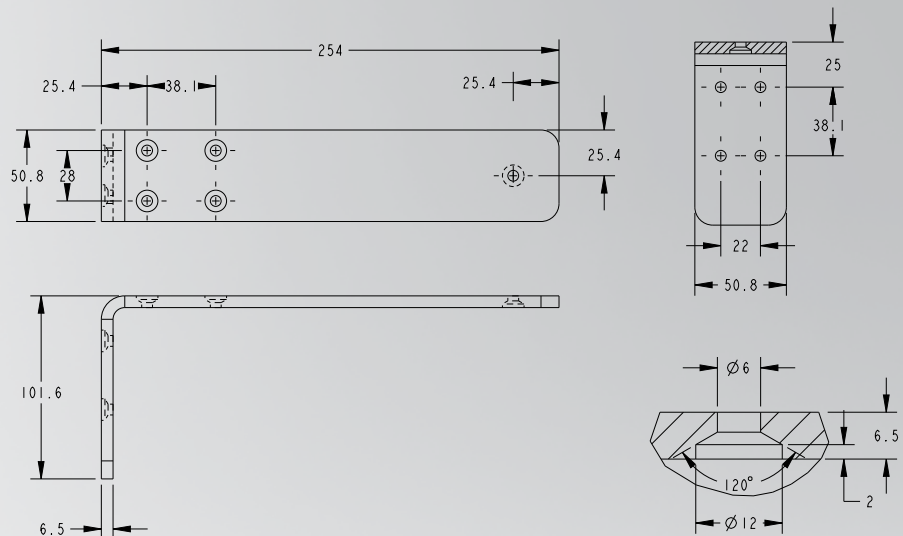


Horizontal Dimensions:

10" x 2" x 1/4"

Vertical Dimensions:

4" x 2" x 1/4"

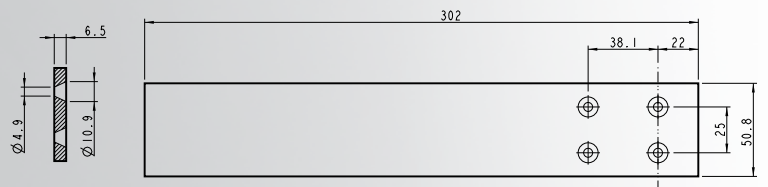




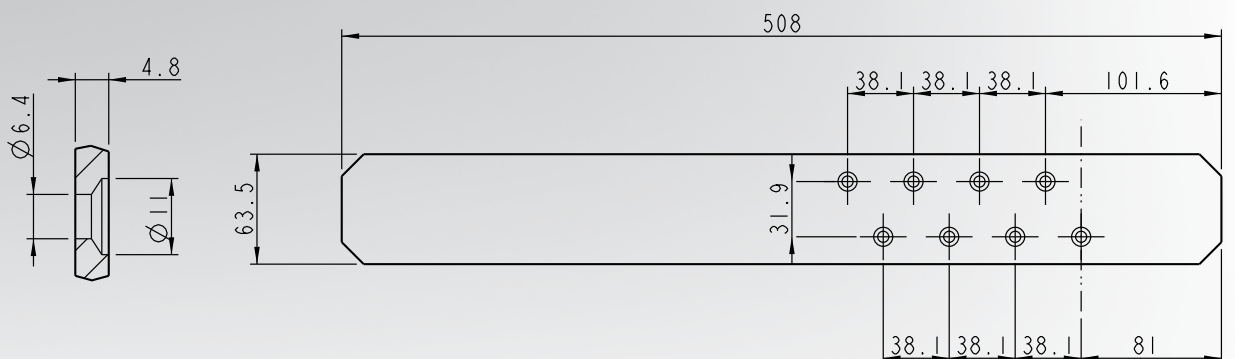
Create a floating countertop or bar top with concealed support brackets.

- Support brackets are mounted under the countertop for a clean, modern look
- Can be used to support the weight of the countertop in lieu of corbels and posts
- Attach directly to the knee wall for optimal support
- Available in two sizes: 12" and 20"
- Weight rating: 150 lb.

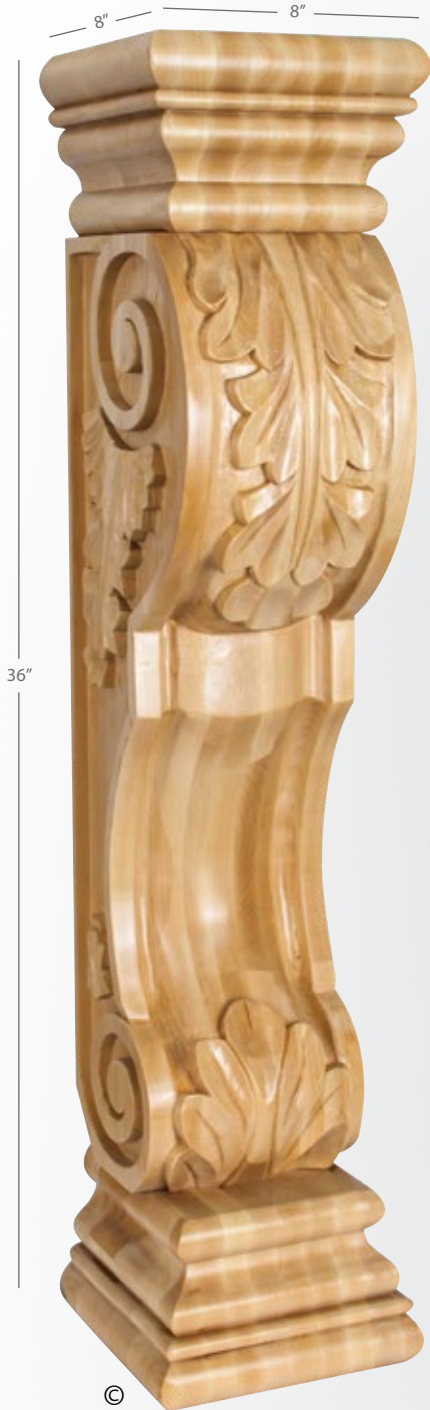
CTOPSUP12



CTOPSUP20



Fireplace Corbels



FCORB

Width	Depth	Height
8"	8"	36"

Carton Quantity: 1

*Alder, Cherry, Hard Maple,
Rubberwood*



FCORQ

Width	Depth	Height
8"	8"	36"

Carton Quantity: 1

*Alder, Cherry, Hard Maple,
Rubberwood*

Fireplace Corbels

Wood
Products



©

FCOR5

Width	Depth	Height
8"	8"	36"

Carton Quantity: 1

Alder, Cherry, Hard Maple,
Rubberwood



©

FCOR6

Width	Depth	Height
8"	8"	36"

Carton Quantity: 1

Alder, Hard Maple, Rubberwood

Fireplace Corbels



FCORE		
Width	Depth	Height
8"	6-1/2"	36"
Carton Quantity:		1

Alder, Hard Maple, Rubberwood



FCOR4		
Width	Depth	Height
6"	8"	36"
Carton Quantity:		1

Rubberwood

Fireplace Corbels

Wood
Products



©

FCORV

Width	Depth	Height
8"	7"	36"

Carton Quantity: 1

Alder, Cherry, Hard Maple,
Rubberwood



©

FCOR21

Width	Depth	Height
8"	6"	36"

Carton Quantity: 1

Alder, Cherry, Hard Maple,
Rubberwood

Capitals



CAP4

Width	Depth	Height
8"	1-3/4"	8"

Carton Quantity: 20

Alder, Cherry, Hard Maple, Rubberwood



CAP3

Width	Depth	Height
6"	1-1/4"	6"

Carton Quantity: 50

Alder, Cherry, Hard Maple, Oak, Rubberwood



CAP2

Width	Depth	Height
4-3/4"	1-1/4"	4-3/4"

Carton Quantity: 50

Alder, Cherry, Hard Maple, Oak, Rubberwood



CAP1

Width	Depth	Height
3-7/8"	1"	3-1/2"

Carton Quantity: 50

Cherry, Hard Maple, Rubberwood



CAP5		
Width	Depth	Height
4-3/8"	2-1/8"	4-3/4"
Carton Quantity:		50
Cherry, Hard Maple, Rubberwood		



CAP6-250		
Width	Depth	Height
4-7/16"	2-3/16"	5-7/8"
Carton Quantity:		100
Alder, Cherry, Hard Maple, Oak, Rubberwood		

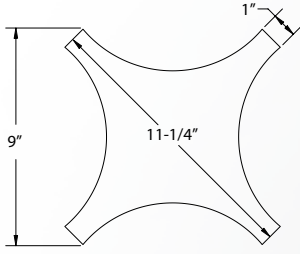


CAP6-2		
Width	Depth	Height
3-7/16"	1-3/4"	4-13/16"
Carton Quantity:		100
Alder, Cherry, Hard Maple, Oak, Rubberwood		



CAP6-150		
Width	Depth	Height
2-5/8"	1-5/16"	3-5/8"
Carton Quantity:		100
Alder, Cherry, Hard Maple, Oak, Rubberwood		

Capitals



FC1

Width	Depth	Height
9"	9"	7"

Carton Quantity: 2
Alder, Cherry, Hard Maple, Rubberwood



FPB1

Width	Depth	Height
5-1/16"	5"	7-1/16"

Carton Quantity: 8
Alder, Cherry, Hard Maple, Rubberwood



PC-2

Width	Depth	Height
6"	2"	3"

Carton Quantity: 50
Cherry, Hard Maple, Rubberwood



PC-1

Width	Depth	Height
6"	1-7/8"	3"

Carton Quantity: 50
Cherry, Hard Maple, Rubberwood



PC-3

Width	Depth	Height
6"	2"	3"

Carton Quantity: 50
Cherry, Hard Maple, Rubberwood



FP1

Width	Depth	Height
5"	5"	35"

Carton Quantity: 2
Alder, Cherry, Hard Maple, Rubberwood

Capitals, Onlays & Appliqués

Wood
Products



MRH-1-72

Width	Depth	Height
73"	30-1/2"	9-13/16"
Carton Quantity:		1

Hard Maple



AP001

Width	Depth	Height
40"	1-1/2"	5"
Carton Quantity:		5

Rubberwood, White Birch



ONL-01-20

Width	Depth	Height
20"	3/4"	4"
Carton Quantity:		10

Cherry, Hard Maple, Oak,
Rubberwood

ONL-01-24

Width	Depth	Height
24"	3/4"	5"
Carton Quantity:		10

Cherry, Hard Maple, Oak,
Rubberwood

ONL-01-36

Width	Depth	Height
36"	1"	7-3/4"
Carton Quantity:		10

Cherry, Hard Maple,
Rubberwood

APL-02-20

Width	Depth	Height
20"	1/4"	5-1/2"

Carton Quantity: 50

Cherry, Hard Maple



PONL-02-20

Width	Depth	Height
20-1/8"	5/16"	5-3/8"

Carton Quantity: 50

Embossed Rubberwood



ONL-02-16

Width	Depth	Height
15-1/4"	1/2"	3-1/4"

Carton Quantity: 50

Cherry, Hard Maple,
Rubberwood



ONL-02-20

Width	Depth	Height
20"	3/4"	4"

Carton Quantity: 10

Alder, Cherry, Hard Maple, Oak,
Rubberwood

ONL-02-24

Width	Depth	Height
24"	3/4"	5"

Carton Quantity: 10

Alder, Cherry, Hard Maple, Oak,
Rubberwood

ONL-02-36

Width	Depth	Height
36-7/16"	1"	7-1/2"

Carton Quantity: 10

Alder, Cherry, Hard Maple,
Rubberwood

APL-04-20

Width	Depth	Height
20"	1/4"	4-1/2"
Carton Quantity:		50

Cherry, Hard Maple



PONL-04-20

Width	Depth	Height
20-1/4"	5/16"	4-1/2"
Carton Quantity:		50

Embossed Rubberwood



ONL-08-20

Width	Depth	Height
20"	7/8"	4-3/16"
Carton Quantity:		10

Alder, Cherry, Hard Maple,
Rubberwood

ONL-08-24

Width	Depth	Height
24"	7/8"	5-3/16"
Carton Quantity:		10

Alder, Cherry, Hard Maple,
Rubberwood

ONL-08-36

Width	Depth	Height
36-7/16"	7/8"	7-1/2"
Carton Quantity:		10

Alder, Cherry, Hard Maple,
Rubberwood

PONL-08-20

Width	Depth	Height
20"	5/16"	4-3/16"
Carton Quantity:		25

Embossed Rubberwood

Onlays & Appliqués



©

ONL-09-20

Width	Depth	Height
19-15/16"	3/4"	3-5/8"

Carton Quantity: 10

Alder, Cherry, Hard Maple,
Rubberwood

ONL-09-24

Width	Depth	Height
24"	3/4"	4-3/8"

Carton Quantity: 10

Alder, Cherry, Hard Maple,
Rubberwood



ONL-10-20

Width	Depth	Height
20"	1"	4-1/8"

Carton Quantity: 10

Alder, Cherry, Hard Maple,
Rubberwood, White Birch

ONL-10-24

Width	Depth	Height
24"	1-1/8"	5"

Carton Quantity: 10

Alder, Cherry, Hard Maple,
Rubberwood, White Birch

ONL-10-36

Width	Depth	Height
36"	1-1/4"	7-1/2"

Carton Quantity: 10

Alder, Cherry, Hard Maple,
Rubberwood, White Birch

ONL-04-20

Width	Depth	Height
20"	3/4"	5-3/4"

Carton Quantity: 10

Cherry, Hard Maple,
Rubberwood

ONL-04-24

Width	Depth	Height
24"	7/8"	6-7/8"

Carton Quantity: 10

Cherry, Hard Maple,
Rubberwood



©

ONL-07-20

<i>Width</i>	<i>Depth</i>	<i>Height</i>
20"	3/4"	5-5/8"
Carton Quantity:		10

Cherry, Hard Maple,
Rubberwood



MONL-01BLK[†]

<i>Width</i>	<i>Depth</i>	<i>Height</i>
25"	1/2"	5-3/8"
Carton Quantity:		5

Finish

Black

screws included



Onlays & Appliqués



ONL-06-L

Width	Depth	Height
10"	3/4"	3-1/2"
Carton Quantity:		30

*Cherry, Hard Maple,
Rubberwood*



ONL-06-R

Width	Depth	Height
10"	3/4"	3-1/2"
Carton Quantity:		30

*Cherry, Hard Maple,
Rubberwood*



APL-05-L

Width	Depth	Height
10-3/8"	1/4"	3-1/4"
Carton Quantity:		50

Cherry, Hard Maple



APL-05-R

Width	Depth	Height
10-3/8"	1/4"	3-1/4"
Carton Quantity:		50

Cherry, Hard Maple



PAPL-05-L

Width	Depth	Height
10-1/2"	5/16"	3-1/4"
Carton Quantity:		50

Embossed Rubberwood



PAPL-05-R

Width	Depth	Height
10-1/2"	5/16"	3-1/4"
Carton Quantity:		50

Embossed Rubberwood

Onlays & Appliqués

Wood
Products



APL-11-L

Width	Depth	Height
10-5/8"	1/4"	4"
Carton Quantity:		50

Cherry, Hard Maple



APL-11-R

Width	Depth	Height
10-5/8"	1/4"	4"
Carton Quantity:		50

Cherry, Hard Maple



PAPL-11-L

Width	Depth	Height
10-5/8"	5/16"	4-3/8"
Carton Quantity:		50

Embossed Rubberwood



PAPL-11-R

Width	Depth	Height
10-5/8"	5/16"	4-3/8"
Carton Quantity:		50

Embossed Rubberwood



APL-10-L

Width	Depth	Height
12-1/4"	1/4"	3"
Carton Quantity:		50

Cherry, Hard Maple



APL-10-R

Width	Depth	Height
12-1/4"	1/4"	3"
Carton Quantity:		50

Cherry, Hard Maple



PAPL-10-L

Width	Depth	Height
12-1/4"	5/16"	3"
Carton Quantity:		50

Embossed Rubberwood



PAPL-10-R

Width	Depth	Height
12-1/4"	5/16"	3"
Carton Quantity:		50

Embossed Rubberwood

Onlays & Appliqués



APL-06

PAPL-06

APL-07

PAPL-07

Width	Depth	Height
2-1/2"	1/2"	2-3/4"
Carton Quantity:		100

Width	Depth	Height
2-1/2"	5/16"	2-3/4"
Carton Quantity:		50

Width	Depth	Height
3-1/8"	1/2"	2-7/8"
Carton Quantity:		100

Width	Depth	Height
3-1/4"	5-16"	3"
Carton Quantity:		50

Cherry, Hard Maple

Embossed Rubberwood

Cherry, Hard Maple

Embossed Rubberwood



APL-08

PAPL-08

APL-09

PAPL-09

Width	Depth	Height
3-1/4"	5/8"	4-3/8"
Carton Quantity:		100

Width	Depth	Height
3-1/4"	5/16"	4-3/8"
Carton Quantity:		50

Width	Depth	Height
3-1/4"	3/4"	3-3/4"
Carton Quantity:		100

Width	Depth	Height
3-1/4"	5/16"	3-3/4"
Carton Quantity:		50

Cherry, Hard Maple

Embossed Rubberwood

Cherry, Hard Maple

Embossed Rubberwood



APL-13

PAPL-13

Width	Depth	Height
3-5/8"	3/4"	4-1/4"
Carton Quantity:		100

Width	Depth	Height
3-5/8"	5/16"	4-1/4"
Carton Quantity:		50

Cherry, Hard Maple

Embossed Rubberwood



APL-14		
Width	Depth	Height
3-3/4"	1/2"	4-1/8"
Carton Quantity:		100

Alder, Cherry, Hard Maple



APL-14-5		
Width	Depth	Height
4-5/8"	1/2"	5"
Carton Quantity:		100

Alder, Cherry, Hard Maple, Rubberwood



PAPL-14		
Width	Depth	Height
3-3/4"	5/16"	4-1/4"
Carton Quantity:		50

Embossed Rubberwood



APL-12-L		
Width	Depth	Height
3-3/4"	3/8"	4-1/2"
Carton Quantity:		150

Cherry, Hard Maple



APL-12-R		
Width	Depth	Height
3-3/4"	3/8"	4-1/2"
Carton Quantity:		150

Cherry, Hard Maple



PAPL-12-L		
Width	Depth	Height
3-3/4"	5/16"	4-1/2"
Carton Quantity:		150

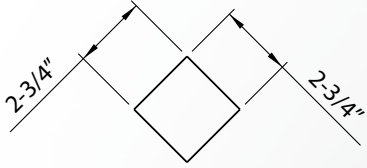
Embossed Rubberwood



PAPL-12-R		
Width	Depth	Height
3-3/4"	5/16"	4-1/2"
Carton Quantity:		150

Embossed Rubberwood

Corner Posts



CP-1		
Width	Depth	Height
2-3/4"	2-3/4"	35-1/2"
Carton Quantity:		6

Alder, Cherry, Hard Maple, Oak, Rubberwood

CP-1-42		
Width	Depth	Height
2-3/4"	2-3/4"	42"
Carton Quantity:		4

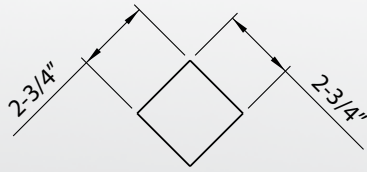
Alder, Cherry, Hard Maple, Oak, Rubberwood

CP-1-84		
Width	Depth	Height
2-3/4"	2-3/4"	84"
Carton Quantity:		4

Alder, Cherry, Hard Maple

CP-1-96		
Width	Depth	Height
2-3/4"	2-3/4"	96"
Carton Quantity:		4

Alder, Cherry, Hard Maple



CP-2

Width	Depth	Height
2-3/4"	2-3/4"	35-1/2"
Carton Quantity:		6

Alder, Cherry, Hard Maple, Oak, Rubberwood

CP-2-42

Width	Depth	Height
2-3/4"	2-3/4"	42"
Carton Quantity:		4

Cherry, Hard Maple, Rubberwood

CP-2-84

Width	Depth	Height
2-3/4"	2-3/4"	84"
Carton Quantity:		4

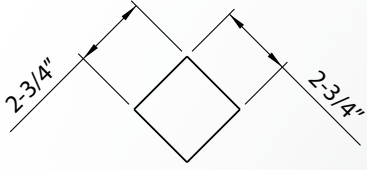
Cherry, Hard Maple

CP-2-96

Width	Depth	Height
2-3/4"	2-3/4"	96"
Carton Quantity:		4

Cherry, Hard Maple

Corner Posts



CP-3		
Width	Depth	Height
2-3/4"	2-3/4"	35-1/2"
Carton Quantity:		6

Alder, Cherry, Hard Maple, Oak, Rubberwood

CP-3-42		
Width	Depth	Height
2-3/4"	2-3/4"	42"
Carton Quantity:		4

Cherry, Hard Maple, Oak, Rubberwood

CP-3-84		
Width	Depth	Height
2-3/4"	2-3/4"	84"
Carton Quantity:		4

Cherry, Hard Maple

CP-3-96		
Width	Depth	Height
2-3/4"	2-3/4"	96"
Carton Quantity:		4

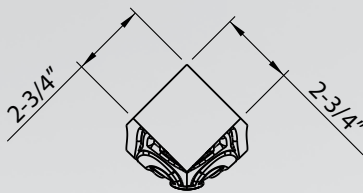
Cherry, Hard Maple

Corner Legs

Wood
Products



35-1/4"



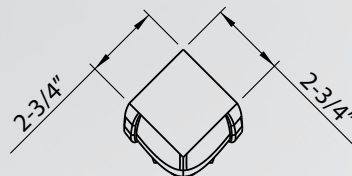
CL-1

Width	Depth	Height
2-3/4"	2-3/4"	35-1/4"
Carton Quantity:		4

Alder, Cherry, Hard Maple,
Rubberwood



35-1/4"



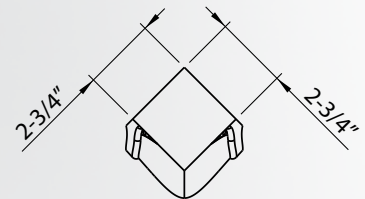
CL-3

Width	Depth	Height
2-3/4"	2-3/4"	35-1/4"
Carton Quantity:		4

Alder, Cherry, Hard Maple,
Rubberwood



35-1/4"



CL-2

Width	Depth	Height
2-3/4"	2-3/4"	35-1/4"
Carton Quantity:		4

Alder, Cherry, Hard Maple,
Rubberwood

Corner Legs



LEGB-1		
Width	Depth	Height
2-1/2"	2-1/2"	31"
Carton Quantity:		4
<i>Hard Maple, Rubberwood</i>		

LEGB-2		
Width	Depth	Height
2-1/2"	2-1/2"	35-1/2"
Carton Quantity:		4
<i>Hard Maple, Rubberwood</i>		

LEGC-1		
Width	Depth	Height
5"	2-1/2"	31"
Carton Quantity:		4
<i>Hard Maple, Rubberwood</i>		

LEGC-2		
Width	Depth	Height
5"	2-1/2"	35-1/2"
Carton Quantity:		4
<i>Hard Maple, Rubberwood</i>		



LEGA-1		
Width	Depth	Height
2-1/2"	2-1/2"	31"
Carton Quantity:		4
Rubberwood		



LEGA-2		
Width	Depth	Height
2-1/2"	2-1/2"	35-1/2"
Carton Quantity:		4
Hard Maple, Rubberwood		



LEGD-1		
Width	Depth	Height
2-3/4"	2-3/4"	31"
Carton Quantity:		4
Hard Maple, Rubberwood		



LEGD-2		
Width	Depth	Height
3-1/2"	3-1/2"	35-1/2"
Carton Quantity:		4
Hard Maple, Rubberwood		

Post Sleeves



POSL-3[†]

Width	Depth	Height
5-1/8"	5-1/8"	9-3/4"
Carton Quantity:		6

Alder, Hard Maple, Rubberwood



POSL-5[†]

Width	Depth	Height
6-5/8"	6-5/8"	9-3/4"
Carton Quantity:		4

*Alder, Hard Maple,
Rubberwood, White Birch*



POSL-6[†]

Width	Depth	Height
7-5/8"	7-5/8"	9-3/4"
Carton Quantity:		4

Rubberwood



POSLB-3[†]

Width	Depth	Height
6-3/8"	6-3/8"	9-3/4"
Carton Quantity:		6

Hard Maple, Rubberwood



POSLB-5[†]

Width	Depth	Height
7-7/8"	7-7/8"	9-3/4"
Carton Quantity:		4

Rubberwood, White Birch



POSLB-6[†]

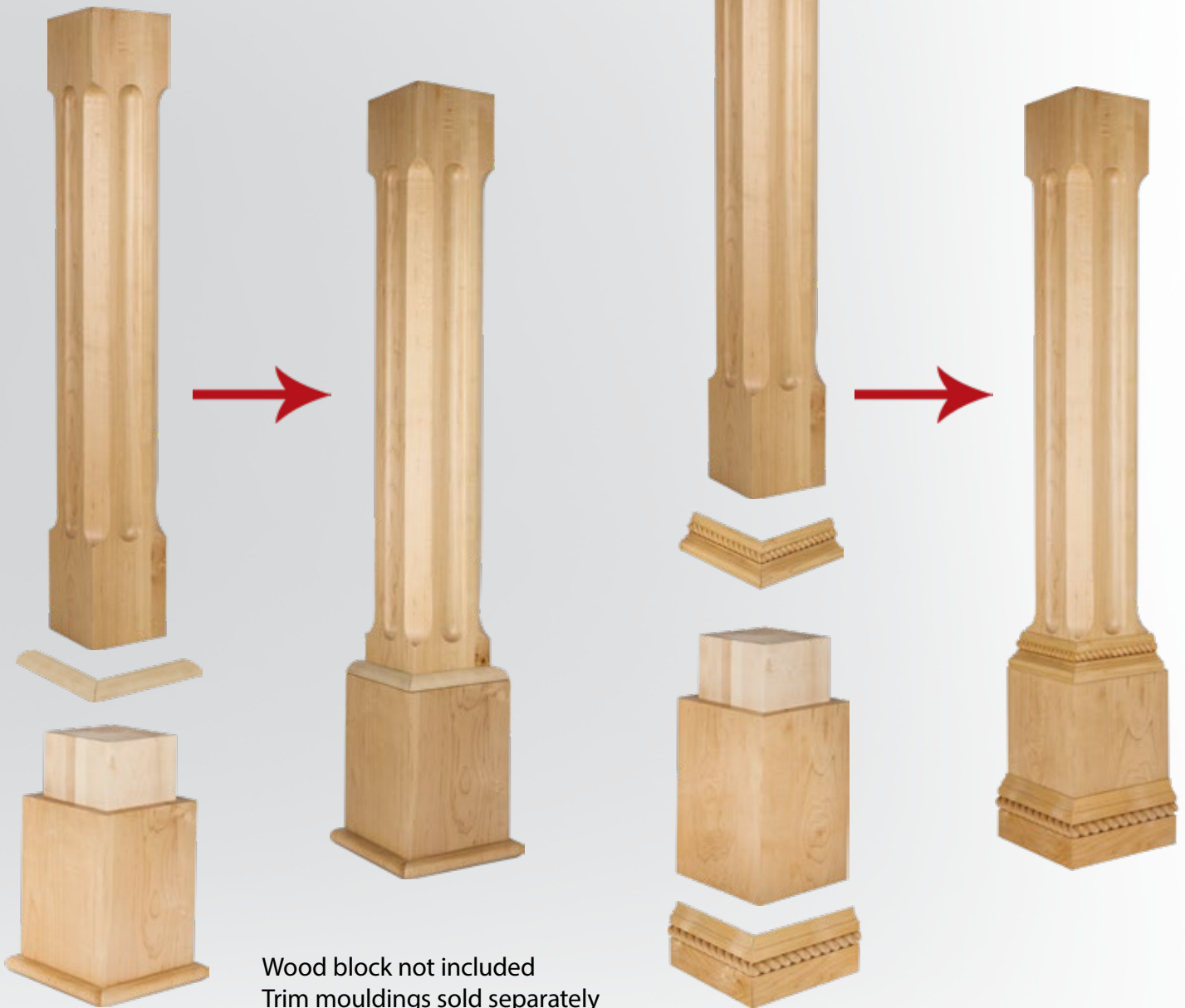
Width	Depth	Height
8-7/8"	8-7/8"	9-3/4"
Carton Quantity:		4

Cherry



These products are being retired.
Check availability online or call for products marked with "†".

Post
+ Post sleeve
+ Wood block
+ Trim moulding
**ENDLESS
POSSIBILITIES**



Wood block not included
Trim mouldings sold separately

Posts



P13-5-42 shown

[276]

800.463.0660 | www.HardwareResources.com

hardware
resources[®]



P81

Width	Depth	Height
3-1/2"	3-1/2"	35-1/2"
Carton Quantity:		4

Alder, Cherry, Hard Maple, Rubberwood, White Birch

P81-5

Width	Depth	Height
5"	5"	35-1/2"
Carton Quantity:		2

Alder, Cherry, Hard Maple, Rubberwood, White Birch

P81-5-42

Width	Depth	Height
5"	5"	42"
Carton Quantity:		2

Alder, Cherry, Hard Maple, Rubberwood, White Birch

P81-6

Width	Depth	Height
6"	6"	35-1/2"
Carton Quantity:		1

Alder, Cherry, Hard Maple, Rubberwood, White Birch

P81-6-42

Width	Depth	Height
6"	6"	42"
Carton Quantity:		1

Alder, Cherry, Hard Maple, Rubberwood, White Birch

Posts

P1S (split)

Width	Depth	Height
3-1/2"	1-3/4"	35-1/2"



P1-3

Width	Depth	Height
3"	3"	35-1/2"
Carton Quantity:		4

Alder, Cherry, Hard Maple, Rubberwood

P1

Width	Depth	Height
3-1/2"	3-1/2"	35-1/2"
Carton Quantity:		4

Alder, Cherry, Hard Maple, Oak, Rubberwood, White Birch

P1-3-42

Width	Depth	Height
3"	3"	42"
Carton Quantity:		4

Rubberwood

P1-42

Width	Depth	Height
3-1/2"	3-1/2"	42"
Carton Quantity:		4

Alder, Cherry, Hard Maple, Rubberwood



P1-5-36

Width	Depth	Height
5"	5"	35-1/2"
Carton Quantity:		2

Alder, Cherry, Hard Maple, Rubberwood, White Birch

P1-5-42

Width	Depth	Height
5"	5"	42"
Carton Quantity:		2

Alder, Cherry, Hard Maple, Rubberwood, White Birch

P1-6

Width	Depth	Height
6"	6"	35-1/2"
Carton Quantity:		1

Alder, Cherry, Hard Maple, Rubberwood, White Birch

P1-6-42

Width	Depth	Height
6"	6"	42"
Carton Quantity:		1

Alder, Cherry, Hard Maple, Rubberwood, White Birch



P23-3.5

Width	Depth	Height
3-1/2"	3-1/2"	35-1/2"
Carton Quantity:		4

Alder, Cherry, Hard Maple, Rubberwood, White Birch

P23

Width	Depth	Height
4"	4"	35-1/2"
Carton Quantity:		4

Alder, Cherry, Hard Maple, Rubberwood

P23-5

Width	Depth	Height
5"	5"	35-1/2"
Carton Quantity:		2

Alder, Cherry, Hard Maple, Rubberwood, White Birch

P23-5-42

Width	Depth	Height
5"	5"	42"
Carton Quantity:		2

Alder, Cherry, Hard Maple, Rubberwood, White Birch



P29-3.5		
Width	Depth	Height
3-1/2"	3-1/2"	35-1/2"
Carton Quantity:		4
Alder, Cherry, Hard Maple, Rubberwood, White Birch		

P28		
Width	Depth	Height
3-3/4"	3-3/4"	35-1/2"
Carton Quantity:		4
Alder, Cherry, Hard Maple, Rubberwood		

P28-42		
Width	Depth	Height
3-3/4"	3-3/4"	42"
Carton Quantity:		4
Alder, Cherry, Hard Maple, Rubberwood		

P29		
Width	Depth	Height
5"	5"	35-1/2"
Carton Quantity:		2
Alder, Cherry, Hard Maple, Rubberwood		

P29-42		
Width	Depth	Height
5"	5"	42"
Carton Quantity:		2
Alder, Cherry, Hard Maple, Rubberwood		

Posts



P4

Width	Depth	Height
3-3/4"	3-3/4"	35-1/2"
Carton Quantity:		4

Alder, Hard Maple, Rubberwood

P4-2

Width	Depth	Height
3-3/4"	3-3/4"	35-1/2"
Carton Quantity:		4

Alder, Hard Maple, Rubberwood

P6

Width	Depth	Height
3-3/4"	3-3/4"	35-1/2"
Carton Quantity:		4

Alder, Cherry, Hard Maple, Rubberwood

P15

Width	Depth	Height
4-1/2"	4-1/2"	35-1/2"
Carton Quantity:		4

Alder, Hard Maple, Rubberwood

P16

Width	Depth	Height
4-1/2"	4-1/2"	35-1/2"
Carton Quantity:		4

Hard Maple, Rubberwood



P26-1		
Width	Depth	Height
3"	3"	35-1/2"
Carton Quantity:		6
Rubberwood, White Birch		

P26-2		
Width	Depth	Height
6"	6"	35-1/2"
Carton Quantity:		1
Rubberwood, White Birch		

P26-3		
Width	Depth	Height
8"	8"	35-1/2"
Carton Quantity:		1
Rubberwood, White Birch		



P14-3.5		
Width	Depth	Height
3-1/2"	3-1/2"	35-1/2"
Carton Quantity:		4

Alder, Cherry, Hard Maple, Rubberwood, White Birch

P14		
Width	Depth	Height
4-1/2"	4-1/2"	35-1/2"
Carton Quantity:		4

Alder, Hard Maple, Rubberwood

P19		
Width	Depth	Height
4-1/2"	4-1/2"	35-1/2"
Carton Quantity:		4

Hard Maple, Rubberwood

P22		
Width	Depth	Height
3-1/2"	3-1/2"	35-1/2"
Carton Quantity:		4

Cherry, Hard Maple, Oak, Rubberwood



P2-3		
Width	Depth	Height
3"	3"	35-1/2"
Carton Quantity:		4

Alder, Hard Maple, Rubberwood



P2-3-42		
Width	Depth	Height
3"	3"	42"
Carton Quantity:		4

Rubberwood

P2S (split)		
Width	Depth	Height
3-1/2"	1-3/4"	35-1/2"



P2		
Width	Depth	Height
3-1/2"	3-1/2"	35-1/2"
Carton Quantity:		4

Alder, Cherry, Hard Maple, Oak, Rubberwood

Posts



P2-42

Width	Depth	Height
3-1/2"	3-1/2"	42"
Carton Quantity:		4

Alder, Cherry, Hard Maple, Rubberwood

P20

Width	Depth	Height
5"	5"	35-1/2"
Carton Quantity:		2

Alder, Cherry, Hard Maple, Rubberwood, White Birch

P20-5-42

Width	Depth	Height
5"	5"	42"
Carton Quantity:		2

Alder, Cherry, Hard Maple, Rubberwood, White Birch

P3S (split)		
Width	Depth	Height
3-1/2"	1-3/4"	35-1/2"



P3-3		
Width	Depth	Height
3"	3"	35-1/2"
Carton Quantity:		4
Alder, Cherry, Hard Maple, Rubberwood		

P3		
Width	Depth	Height
3-1/2"	3-1/2"	35-1/2"
Carton Quantity:		4
Alder, Cherry, Hard Maple, Oak, Rubberwood		

P3-3-42		
Width	Depth	Height
3"	3"	42"
Carton Quantity:		4
Rubberwood		

P3-42		
Width	Depth	Height
3-1/2"	3-1/2"	42"
Carton Quantity:		4
Alder, Cherry, Hard Maple, Rubberwood		

P21		
Width	Depth	Height
5"	5"	35-1/2"
Carton Quantity:		2
Cherry, Hard Maple, Rubberwood		

Posts



P9

Width	Depth	Height
3-3/4"	3-3/4"	35-1/2"
Carton Quantity:		4

Alder, Cherry, Hard Maple, Rubberwood

PS-9-3

Width	Depth	Height
3"	3"	35-1/2"
Carton Quantity:		4

Cherry, Hard Maple, Rubberwood

PS-9

Width	Depth	Height
3-3/4"	3-3/4"	35-1/2"
Carton Quantity:		4

Alder, Cherry, Hard Maple, Rubberwood

PS-9-5

Width	Depth	Height
5"	5"	35-1/2"
Carton Quantity:		2

Alder, Cherry, Hard Maple, Rubberwood, White Birch

PS-9-5-42

Width	Depth	Height
5"	5"	42"
Carton Quantity:		2

Alder, Cherry, Hard Maple, Rubberwood, White Birch



P27-3.5

Width	Depth	Height
3-1/2"	3-1/2"	35-1/2"
Carton Quantity:		4

Alder, Cherry, Hard Maple, Rubberwood, White Birch

P27

Width	Depth	Height
5"	5"	35-1/2"
Carton Quantity:		2

Alder, Cherry, Hard Maple, Rubberwood, White Birch

P27-5-42

Width	Depth	Height
5"	5"	42"
Carton Quantity:		2

Alder, Cherry, Hard Maple, Rubberwood, White Birch

P27-6

Width	Depth	Height
6"	6"	35-1/2"
Carton Quantity:		1

Alder, Cherry, Hard Maple, Rubberwood, White Birch

P27-6-42

Width	Depth	Height
6"	6"	42"
Carton Quantity:		1

Alder, Cherry, Hard Maple, Rubberwood, White Birch

Posts



P35-3.5

Width	Depth	Height
3-1/2"	3-1/2"	35-1/2"

Carton Quantity: 4
 Alder, Cherry, Hard Maple, Rubberwood, White Birch

P35

Width	Depth	Height
5"	5"	35-1/2"

Carton Quantity: 2
 Alder, Hard Maple, Rubberwood

P35-5-42

Width	Depth	Height
5"	5"	42"

Carton Quantity: 2
 Alder, Cherry, Hard Maple, Rubberwood, White Birch

P35-6

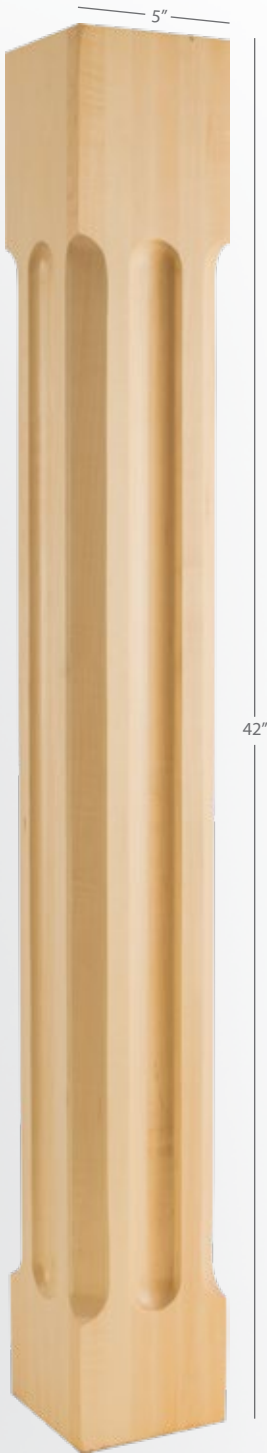
Width	Depth	Height
6"	6"	35-1/2"

Carton Quantity: 1
 Alder, Cherry, Hard Maple, Rubberwood, White Birch

P35-6-42

Width	Depth	Height
6"	6"	42"

Carton Quantity: 1
 Alder, Cherry, Hard Maple, Rubberwood, White Birch



P78		
Width	Depth	Height
3-1/2"	3-1/2"	35-1/2"
Carton Quantity:		4
<i>Alder, Cherry, Hard Maple, Rubberwood</i>		

P78-5		
Width	Depth	Height
5"	5"	35-1/2"
Carton Quantity:		2
<i>Alder, Cherry, Hard Maple, Rubberwood</i>		

P78-5-42		
Width	Depth	Height
5"	5"	42"
Carton Quantity:		2
<i>Alder, Cherry, Hard Maple, Rubberwood</i>		

Posts



P70		
Width	Depth	Height
3-1/2"	3-1/2"	35-1/2"
Carton Quantity:		4
<i>Alder, Hard Maple, Rubberwood</i>		



P70-5		
Width	Depth	Height
5"	5"	35-1/2"
Carton Quantity:		2
<i>Alder, Hard Maple, Rubberwood</i>		



P70-5-42		
Width	Depth	Height
5"	5"	42"
Carton Quantity:		2
<i>Alder, Hard Maple, Rubberwood</i>		



P38

Width	Depth	Height
5"	5"	35-1/2"

Carton Quantity: 2

Alder, Hard Maple, Rubberwood

P38-3.5

Width	Depth	Height
3-1/2"	3-1/2"	35-1/2"

Carton Quantity: 4

Alder, Cherry, Hard Maple, Rubberwood, White Birch

P38-5-42

Width	Depth	Height
5"	5"	42"

Carton Quantity: 2

Alder, Cherry, Hard Maple, Rubberwood, White Birch

P38-6

Width	Depth	Height
6"	6"	35-1/2"

Carton Quantity: 1

Alder, Cherry, Hard Maple, Rubberwood, White Birch

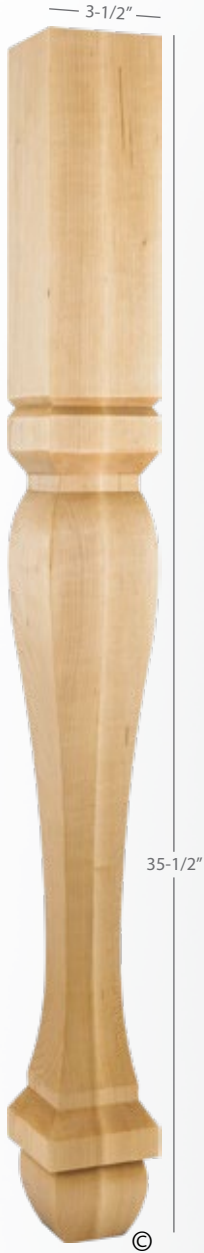
P38-6-42

Width	Depth	Height
6"	6"	42"

Carton Quantity: 1

Alder, Cherry, Hard Maple, Rubberwood, White Birch

Posts



P13-3.5		
Width	Depth	Height
3-1/2"	3-1/2"	35-1/2"
Carton Quantity:		4
Alder, Cherry, Hard Maple, Rubberwood, White Birch		

P13-5		
Width	Depth	Height
5"	5"	35-1/2"
Carton Quantity:		2
Alder, Cherry, Hard Maple, Rubberwood, White Birch		

P13-5-42		
Width	Depth	Height
5"	5"	42"
Carton Quantity:		2
Alder, Cherry, Hard Maple, Rubberwood, White Birch		

P13		
Width	Depth	Height
6"	6"	35-1/2"
Carton Quantity:		1
Alder, Cherry, Hard Maple, Rubberwood		

P13-6-42		
Width	Depth	Height
6"	6"	42"
Carton Quantity:		1
Alder, Cherry, Hard Maple, Rubberwood, White Birch		



P37		
Width	Depth	Height
3-3/4"	3-3/4"	35-1/2"
Carton Quantity:		4

Alder, Cherry, Hard Maple, Rubberwood

P37-5		
Width	Depth	Height
5"	5"	35-1/2"
Carton Quantity:		2

Alder, Cherry, Hard Maple, Rubberwood

P37-6.5		
Width	Depth	Height
6-1/2"	6-1/2"	35-1/2"
Carton Quantity:		1

Alder, Cherry, Hard Maple, Rubberwood

Posts



P83

Width	Depth	Height
3-1/2"	3-1/2"	35-1/2"
Carton Quantity:		4

Alder, Cherry, Hard Maple, Rubberwood, White Birch

P83-5

Width	Depth	Height
5"	5"	35-1/2"
Carton Quantity:		2

Alder, Cherry, Hard Maple, Rubberwood, White Birch

P83-5-42

Width	Depth	Height
5"	5"	42"
Carton Quantity:		2

Alder, Cherry, Hard Maple, Rubberwood, White Birch

P83-6

Width	Depth	Height
6"	6"	35-1/2"
Carton Quantity:		1

Alder, Cherry, Hard Maple, Rubberwood, White Birch

P83-6-42

Width	Depth	Height
6"	6"	42"
Carton Quantity:		1

Alder, Cherry, Hard Maple, Rubberwood, White Birch



P82

Width	Depth	Height
3-1/2"	3-1/2"	35-1/2"
Carton Quantity:		2

Alder, Cherry, Hard Maple, Rubberwood, White Birch

P82-5

Width	Depth	Height
5"	5"	35-1/2"
Carton Quantity:		2

Alder, Cherry, Hard Maple, Rubberwood, White Birch

P82-5-42

Width	Depth	Height
5"	5"	42"
Carton Quantity:		2

Alder, Cherry, Hard Maple, Rubberwood, White Birch

P34

Width	Depth	Height
3-3/4"	3-3/4"	35-1/2"
Carton Quantity:		4

Alder, Cherry, Hard Maple, Rubberwood

P34-5

Width	Depth	Height
5"	5"	35-1/2"
Carton Quantity:		2

Alder, Cherry, Hard Maple, Rubberwood



P39

Width	Depth	Height
3-3/4"	3-3/4"	35-1/2"
Carton Quantity:		4

Alder, Cherry, Hard Maple, Rubberwood

P39-5

Width	Depth	Height
5"	5"	35-1/2"
Carton Quantity:		2

Hard Maple, Rubberwood

P36

Width	Depth	Height
5"	5"	35-1/2"
Carton Quantity:		2

Alder, Hard Maple, Rubberwood

P41

Width	Depth	Height
5"	5"	35-1/2"
Carton Quantity:		2

Alder, Hard Maple, Rubberwood



P73 [†]		
Width	Depth	Height
3-1/2"	3-1/2"	35-1/2"
Carton Quantity:		4
Alder, Hard Maple, Rubberwood		

P73-5-42 [†]		
Width	Depth	Height
5"	5"	42"
Carton Quantity:		2
Alder, Hard Maple, Rubberwood		

P60		
Width	Depth	Height
3-1/2"	3-1/2"	35-1/2"
Carton Quantity:		4
Alder, Hard Maple, Rubberwood		

P60-5		
Width	Depth	Height
5"	5"	35-1/2"
Carton Quantity:		2
Alder, Hard Maple, Rubberwood		

P60-5-42		
Width	Depth	Height
5"	5"	42"
Carton Quantity:		2
Alder, Hard Maple, Rubberwood		

Posts



P74[†]

Width	Depth	Height
3-1/2"	3-1/2"	35-1/2"

Carton Quantity: 4

Cherry

P74-5-42[†]

Width	Depth	Height
5"	5"	42"

Carton Quantity: 2

Alder, Hard Maple,
Rubberwood

P72[†]

Width	Depth	Height
3-1/2"	3-1/2"	35-1/2"

Carton Quantity: 4

Alder, Hard Maple

P72-5[†]

Width	Depth	Height
5"	5"	35-1/2"

Carton Quantity: 2

Alder



These products are being retired.
Check availability online or call for products marked with "†".



P64

Width	Depth	Height
3-1/2"	3-1/2"	35-1/2"
Carton Quantity:		4

Alder, Hard Maple, Rubberwood

P64-5

Width	Depth	Height
5"	5"	35-1/2"
Carton Quantity:		2

Alder, Hard Maple, Rubberwood

P64-5-42

Width	Depth	Height
5"	5"	42"
Carton Quantity:		2

Alder, Hard Maple, Rubberwood

Posts



P32

Width	Depth	Height
3-1/2"	3-1/2"	35-1/2"
Carton Quantity:		4

Alder, Hard Maple, Rubberwood

P33

Width	Depth	Height
3-1/2"	3-1/2"	35-1/2"
Carton Quantity:		4

Alder, Hard Maple, Rubberwood

P42

Width	Depth	Height
3-1/2"	3-1/2"	35-1/2"
Carton Quantity:		4

Alder, Hard Maple, Oak, Rubberwood

P42-42

Width	Depth	Height
3-1/2"	3-1/2"	42"
Carton Quantity:		4

Alder, Hard Maple, Oak, Rubberwood

P42-5

Width	Depth	Height
5"	5"	35-1/2"
Carton Quantity:		2

Alder, Hard Maple, Oak, Rubberwood



P31

Width	Depth	Height
3-1/2"	3-1/2"	35-1/2"
Carton Quantity:		4

Alder, Hard Maple, Rubberwood

P31TL

Width	Depth	Height
3-1/2"	3-1/2"	25-1/4"
Carton Quantity:		4

Alder, Hard Maple, Rubberwood, White Birch

P43

Width	Depth	Height
3-1/2"	3-1/2"	35-1/2"
Carton Quantity:		4

Alder, Cherry, Hard Maple, Oak, Rubberwood

P43-42

Width	Depth	Height
3-1/2"	3-1/2"	42"
Carton Quantity:		4

Alder, Cherry, Hard Maple, Oak, Rubberwood

Posts



(tapered on 4 sides)

P43-5

Width	Depth	Height
5"	5"	35-1/2"

Carton Quantity: 2

Alder, Cherry, Hard Maple, Oak, Rubberwood



(tapered on 4 sides)

P43-5-42

Width	Depth	Height
5"	5"	42"

Carton Quantity: 2

Alder, Cherry, Hard Maple, Oak, Rubberwood




P63-5†

Width	Depth	Height
5"	5"	35-1/2"

Carton Quantity: 2

Alder, Hard Maple, Rubberwood

 These products are being retired. Check availability online or call for products marked with " †".



P75⁺

Width	Depth	Height
3-1/2"	3-1/2"	35-1/2"
Carton Quantity:		4

Hard Maple, Rubberwood

P75-5⁺

Width	Depth	Height
5"	5"	35-1/2"
Carton Quantity:		2

Hard Maple, Rubberwood

P65-5⁺

Width	Depth	Height
5"	5"	35-1/2"
Carton Quantity:		2

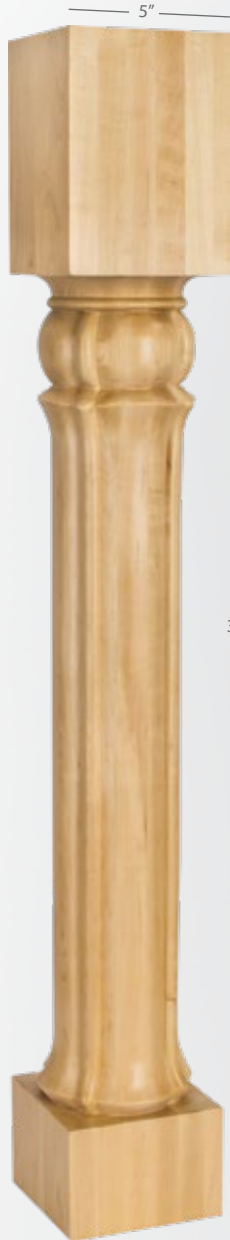
Alder, Hard Maple

P65-5-42⁺

Width	Depth	Height
5"	5"	42"
Carton Quantity:		2

Hard Maple, Rubberwood

Posts



P67[†]

Width	Depth	Height
3-1/2"	3-1/2"	35-1/2"
Carton Quantity:		4

Alder, Hard Maple, Rubberwood

P67-5[†]

Width	Depth	Height
5"	5"	35-1/2"
Carton Quantity:		2

Alder, Hard Maple, Rubberwood

P67-5-42[†]

Width	Depth	Height
5"	5"	42"
Carton Quantity:		2

Hard Maple, Rubberwood

P68

Width	Depth	Height
3-1/2"	3-1/2"	35-1/2"
Carton Quantity:		4

Alder, Hard Maple, Rubberwood



These products are being retired. Check availability online or call for products marked with "†".



P68-5

Width	Depth	Height
5"	5"	35-1/2"
Carton Quantity:		2

Alder, Hard Maple, Rubberwood

P68-5-42

Width	Depth	Height
5"	5"	42"
Carton Quantity:		2

Alder, Hard Maple, Rubberwood

P79⁺

Width	Depth	Height
3-1/2"	3-1/2"	35-1/2"
Carton Quantity:		4

Hard Maple

P79-5⁺

Width	Depth	Height
5"	5"	35-1/2"
Carton Quantity:		2

Alder, Hard Maple, Rubberwood



Posts



P80		
Width	Depth	Height
3-1/2"	3-1/2"	35-1/2"
Carton Quantity:		4

Alder, Cherry, Hard Maple, Rubberwood



P80-5		
Width	Depth	Height
5"	5"	35-1/2"
Carton Quantity:		2

Alder, Cherry, Hard Maple, Rubberwood



P80-5-42		
Width	Depth	Height
5"	5"	42"
Carton Quantity:		2

Alder, Cherry, Hard Maple, Rubberwood



P71

Width	Depth	Height
3-1/2"	3-1/2"	35-1/2"

Carton Quantity: 4

Alder, Cherry, Hard Maple, Rubberwood

P71-5

Width	Depth	Height
5"	5"	35-1/2"

Carton Quantity: 2

Alder, Cherry, Hard Maple, Rubberwood

P71-5-42

Width	Depth	Height
5"	5"	42"

Carton Quantity: 2

Alder, Cherry, Hard Maple, Rubberwood




P76 [†]		
Width	Depth	Height
3-1/2"	3-1/2"	35-1/2"
Carton Quantity:		4
Alder, Cherry		

P76-5 [†]		
Width	Depth	Height
5"	5"	35-1/2"
Carton Quantity:		2
Alder, Cherry, Hard Maple		

P76-5-42 [†]		
Width	Depth	Height
5"	5"	42"
Carton Quantity:		2
Cherry		

P77 [†]		
Width	Depth	Height
3-1/2"	3-1/2"	35-1/2"
Carton Quantity:		4
Rubberwood		

 These products are being retired. Check availability online or call for products marked with "†".



P66[†]		
Width	Depth	Height
3-1/2"	3-1/2"	35-1/2"
Carton Quantity:		4
Hard Maple, Rubberwood		

P66-5[†]		
Width	Depth	Height
5"	5"	35-1/2"
Carton Quantity:		2
Alder, Rubberwood		

P66-5-42[†]		
Width	Depth	Height
5"	5"	42"
Carton Quantity:		2
Rubberwood		

Cabinet Feet



Feet give cabinets and furniture projects a lighter feel by raising them off the floor. Our collection includes a wide variety of styles including bun feet, pedestal feet, carved ball & claw legs, French legs, Queen Anne legs and more.





WL80		
Width	Depth	Height
4-1/2"	4-1/2"	8"
Carton Quantity:		36
Cherry, Hard Maple, Oak, Rubberwood		

WLC86		
Width	Depth	Height
4-1/2"	2-3/4"	8"
Carton Quantity:		40
Cherry, Hard Maple, Oak, Rubberwood		

WLC80		
Width	Depth	Height
4-1/2"	4-1/2"	8"
Carton Quantity:		36
Cherry, Hard Maple, Oak, Rubberwood		

WL60		
Width	Depth	Height
4-1/2"	4-1/2"	6"
Carton Quantity:		36
Alder, Cherry, Hard Maple, Oak, Rubberwood		

WLC60		
Width	Depth	Height
4-1/2"	2-3/4"	6"
Carton Quantity:		40
Cherry, Hard Maple, Oak, Rubberwood		



WL85		
Width	Depth	Height
4-1/2"	4-1/2"	8"
Carton Quantity:		36
Cherry, Hard Maple, Oak, Rubberwood		

WLC85 ⁺		
Width	Depth	Height
4-5/8"	2-3/4"	8"
Carton Quantity:		40
Cherry, Oak, Rubberwood		

WL82		
Width	Depth	Height
2-1/4"	2-1/4"	8"
Carton Quantity:		30
Cherry, Hard Maple, Oak, Rubberwood		

WL65		
Width	Depth	Height
4-1/4"	4-1/4"	6"
Carton Quantity:		36
Cherry, Hard Maple, Oak, Rubberwood		

WLC65		
Width	Depth	Height
4-1/4"	2-5/8"	6"
Carton Quantity:		40
Hard Maple, Oak, Rubberwood		



WLF80

Width	Depth	Height
5"	5"	8"
Carton Quantity:		36

Cherry, Hard Maple, Oak

WLFC80

Width	Depth	Height
4-3/4"	4-1/8"	8"
Carton Quantity:		36

Cherry, Hard Maple

WLF60

Width	Depth	Height
5"	5"	6"
Carton Quantity:		48

Cherry, Hard Maple, Oak, Rubberwood

WLFC60

Width	Depth	Height
4-3/4"	4-1/2"	6"
Carton Quantity:		48

Cherry, Hard Maple, Rubberwood



WLC50 shown in use



WLC50[†]

Width	Depth	Height
3-1/2"	3-1/2"	5"
Carton Quantity:		50

Cherry, Hard Maple, Rubberwood



WL50

Width	Depth	Height
3-1/2"	3-1/2"	5"
Carton Quantity:		50

Cherry, Hard Maple, Oak, Rubberwood

These products are being retired. Check availability online or call for products marked with "†".



PFL

Width	Depth	Height
6"	1-1/8"	4"

Carton Quantity: 100

Alder, Cherry, Hard Maple,
Oak, Rubberwood

PFR

Width	Depth	Height
6"	1-1/8"	4"

Carton Quantity: 100

Alder, Cherry, Hard Maple,
Oak, Rubberwood



PFM1

Width	Depth	Height
11-3/8"	1-3/4"	1-11/16"

Carton Quantity: 50

Alder, Cherry, Hard Maple,
Oak, Rubberwood



PFC

Width	Depth	Height
6-3/4"	6-3/4"	4"

Carton Quantity: 20

Alder, Cherry, Hard Maple,
Oak, Rubberwood



PFCS

Width	Depth	Height
6-3/4"	6-3/4"	4"

Carton Quantity: 20

Alder, Cherry, Hard Maple,
Oak, Rubberwood



PFC & PFM1
shown in use



PFL-B

Width	Depth	Height
6-3/8"	1"	4-1/2"
Carton Quantity:		100

Alder, Cherry, Hard Maple, Oak, Rubberwood

PFR-B

Width	Depth	Height
6-3/8"	1"	4-1/2"
Carton Quantity:		100

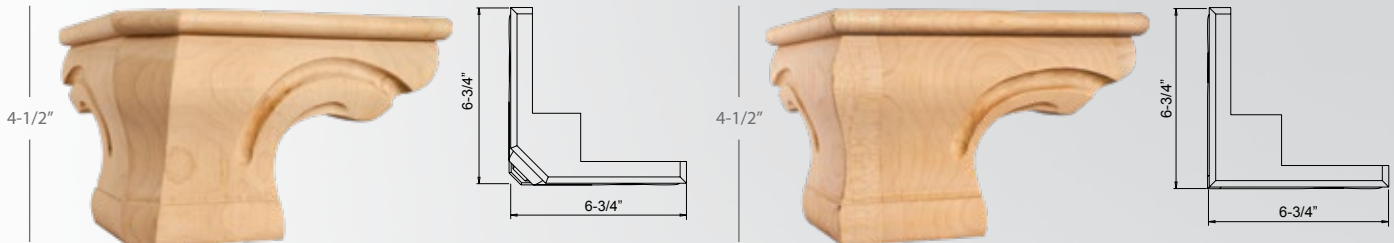
Alder, Cherry, Hard Maple, Oak, Rubberwood



PFM1-B

Width	Depth	Height
11-3/4"	1-3/4"	2-1/4"
Carton Quantity:		50

Alder, Cherry, Hard Maple, Oak, Rubberwood



PFC-B

Width	Depth	Height
6-3/4"	6-3/4"	4-1/2"
Carton Quantity:		20

Alder, Cherry, Hard Maple, Oak, Rubberwood

PFCS-B

Width	Depth	Height
6-3/4"	6-3/4"	4-1/2"
Carton Quantity:		20

Alder, Cherry, Hard Maple, Oak, Rubberwood



PFL2

Width	Depth	Height
8-1/4"	1-1/2"	4-1/2"
Carton Quantity:		50

Alder, Cherry, Hard Maple, Oak, Rubberwood

PFR2

Width	Depth	Height
8-1/4"	1-1/2"	4-1/2"
Carton Quantity:		50

Alder, Cherry, Hard Maple, Oak, Rubberwood



PFM2

Width	Depth	Height
16"	1"	2-1/2"
Carton Quantity:		50

Alder, Cherry, Hard Maple, Oak, Rubberwood



PFSHA

Width	Depth	Height
8"	7/8"	4-1/2"
Carton Quantity:		50

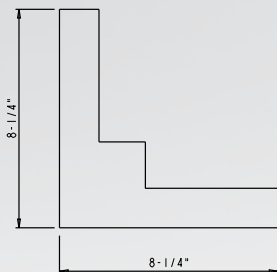
Alder, Cherry, Hard Maple, Rubberwood, White Birch



PFCS2

Width	Depth	Height
8-1/4"	8-1/4"	4-1/2"
Carton Quantity:		12

Alder, Cherry, Hard Maple, Oak, Rubberwood



PFCSHA

Width	Depth	Height
8"	8"	4-1/2"
Carton Quantity:		12

Alder, Cherry, Hard Maple, Rubberwood, White Birch



PFCOV

Width	Depth	Height
8"	7/8"	4-1/2"
Carton Quantity:		50

Alder, Cherry, Hard Maple, Rubberwood, White Birch



PFCCOV

Width	Depth	Height
8"	8"	4-1/2"
Carton Quantity:		12

Alder, Cherry, Hard Maple, Rubberwood, White Birch



BF34-5

Width	Depth	Height
2-1/4"	2-1/4"	4-1/2"
Carton Quantity:		50

Alder, Cherry, Hard Maple, Oak, Rubberwood, White Birch



BF34

Width	Depth	Height
2-1/4"	2-1/4"	4"
Carton Quantity:		50

Alder, Hard Maple, Oak, Rubberwood



BF32

Width	Depth	Height
3-1/2"	3-1/2"	4-1/2"
Carton Quantity:		40

Alder, Hard Maple, Rubberwood



BF35

Width	Depth	Height
3-1/2"	3-1/2"	4-1/2"
Carton Quantity:		100

Alder, Hard Maple, Rubberwood



LBF45

Width	Depth	Height
4-1/2"	4-1/2"	4-1/2"
Carton Quantity:		20

Hard Maple, Rubberwood



FBF45

Width	Depth	Height
4-1/2"	4-1/2"	4-1/2"
Carton Quantity:		20

Hard Maple, Rubberwood



SBF45

Width	Depth	Height
4-1/2"	4-1/2"	4-1/2"
Carton Quantity:		20

Hard Maple, Rubberwood



BF42

Width	Depth	Height
3-1/2"	3-1/2"	4"
Carton Quantity:		40

Alder, Cherry, Hard Maple, Rubberwood



BF70		
Width	Depth	Height
4-3/4"	4-3/4"	4"
Carton Quantity:		20

Alder, Hard Maple, Rubberwood



BF45		
Width	Depth	Height
4-1/2"	4-1/2"	4-1/2"
Carton Quantity:		20

Alder, Hard Maple, Rubberwood



BF14-5		
Width	Depth	Height
4"	4"	4"
Carton Quantity:		27

Alder, Hard Maple, Rubberwood



BF14-4		
Width	Depth	Height
4"	4"	5"
Carton Quantity:		27

Alder, Hard Maple, Rubberwood



BF14-3		
Width	Depth	Height
4"	4"	4"
Carton Quantity:		27

Alder, Hard Maple, Rubberwood



BF14-1		
Width	Depth	Height
4"	4"	5"
Carton Quantity:		27

Alder, Hard Maple, Rubberwood



BF16-1		
Width	Depth	Height
5"	5"	4-1/2"
Carton Quantity:		20

Alder, Cherry, Hard Maple, Rubberwood, White Birch



BF16-2		
Width	Depth	Height
3-1/2"	3-1/2"	4-1/2"
Carton Quantity:		20

Alder, Cherry, Hard Maple, Rubberwood, White Birch



BF33		
Width	Depth	Height
3-1/2"	3-1/2"	4-1/2"
Carton Quantity:		25

Alder, Hard Maple, Rubberwood



BF14-2		
Width	Depth	Height
4"	4"	4"
Carton Quantity:		27

Alder, Hard Maple, Rubberwood



BF40		
Width	Depth	Height
3-1/2"	3-1/2"	4-1/2"
Carton Quantity:		50

Alder, Hard Maple, Rubberwood



BF90		
Width	Depth	Height
4-1/4"	4-1/4"	4-1/4"
Carton Quantity:		20

Alder, Cherry, Hard Maple, Rubberwood



BF41		
Width	Depth	Height
3-1/2"	3-1/2"	4-1/2"
Carton Quantity:		50
Alder, Hard Maple, Rubberwood		



BF15-2-6		
Width	Depth	Height
3"	3"	6"
Carton Quantity:		27
Alder, Cherry, Hard Maple, Rubberwood, White Birch		



BF15-2-8		
Width	Depth	Height
3"	3"	8"
Carton Quantity:		27
Alder, Cherry, Hard Maple, Rubberwood, White Birch		



BF16-3-8		
Width	Depth	Height
4"	4"	8"
Carton Quantity:		27
Alder, Cherry, Hard Maple, Rubberwood, White Birch		



BF15-1-6		
Width	Depth	Height
3"	3"	6"
Carton Quantity:		27
Alder, Cherry, Hard Maple, Rubberwood, White Birch		



BF15-1-8		
Width	Depth	Height
3"	3"	8"
Carton Quantity:		27
Alder, Cherry, Hard Maple, Rubberwood, White Birch		



BF16-3-6		
Width	Depth	Height
4"	4"	6"
Carton Quantity:		27
Alder, Cherry, Hard Maple, Rubberwood, White Birch		



BF4		
Width	Depth	Height
4"	4"	4"
Carton Quantity:		40
Cherry, Hard Maple, Rubberwood		



BF60		
Width	Depth	Height
4"	4"	6"
Carton Quantity:		30
Cherry, Hard Maple, Rubberwood		



BF30		
Width	Depth	Height
5"	5"	3"
Carton Quantity:		36
Hard Maple, Rubberwood		



BFC40		
Width	Depth	Height
5"	5"	3"
Carton Quantity:		20
Hard Maple, Rubberwood		



89104-SN	
Diameter	Adjustable Height
2-3/8"	4" to 4-1/2"
Carton Quantity:	50
Finish	Satin Nickel
Recommended screw: #8 Pan head	



89102-SN	
Diameter	Adjustable Height
2-3/8"	4-1/2" to 4-5/8"
Carton Quantity:	50
Finish	Satin Nickel
Recommended screw: #8 Pan head	



89102-DC	
Diameter	Adjustable Height
2-3/8"	4-1/2" to 4-5/8"
Carton Quantity:	50
Finish	Dull Chrome
Recommended screw: #8 Pan head	



89101-SN		
Width	Depth	Height
2-5/16"	2-5/16"	4-1/8"
Carton Quantity:	50	
Finish	Satin Nickel	
Recommended screw: #8 Pan head		



89101-DC		
Width	Depth	Height
2-5/16"	2-5/16"	4-1/8"
Carton Quantity:	50	
Finish	Dull Chrome	
Recommended screw: #8 Pan head		

Moulding

Hand-carved mouldings make great focal points on range hoods, mantels and cabinet trims. Rope, Dentil, Crown and other mouldings are made in the USA on the highest quality CNC machinery, ensuring a consistent product throughout each run and from one run to another.

Moulding is priced by the linear foot (LF) and sold by the 8 ft stick. It is sold in multiples designated by SKU. All moulding will fall into one of these groups— 8 LF (1 stick), 24 LF (3 sticks), 40 LF (5 sticks), or 64 LF (8 sticks).

<i>Multiples of 8'</i>	<i>Sticks</i>	<i>Multiples of 24'</i>	<i>Sticks</i>	<i>Multiples of 40'</i>	<i>Sticks</i>	<i>Multiples of 64'</i>	<i>Sticks</i>
8'	1	24'	3	40'	5	64'	8
16'	2	48'	6	80'	10	128'	16
24'	3	72'	9	120'	15	192'	24
32'	4	96'	12	160'	20	256'	32
40'	5	120'	15	200'	25	320'	40
48'	6	144'	18	240'	30	384'	48
56'	7	168'	21	280'	35	448'	56

Moulding Multiples Quick Reference Guide

For customer convenience, all moulding is sold by incremental multiple quantities. All moulding items will fall into one of four multiple groups: 8 LF (1 stick), 24 LF (3 sticks), 40 LF (5 sticks), or 64 LF (8 sticks).

This Quick Reference Guide lists all moulding alphabetically by prefix within each multiple group so that finding a specific moulding is easy.

Examples:

Acanthus Hand-carved Moulding in Basswood = **HCM10BW**, 8 LF (1 stick)
 COV-4 Crown Moulding in Hard Maple = **COV-4-HMP**, 24 LF (3 sticks)

¾" Quartered Moulding in Alder = **34QTRALD**, 40 LF (5 sticks)
 ½" Rope Moulding in Cherry = **RMH12CH**, 64 LF (8 sticks)

Sold in multiples of 8 LF (1 stick)

HCM01	HCM08	HCM11
HCM05	HCM09	HCM12
HCM06	HCM10B	HCM13
HCM07	HCM10	HCM14

Sold in multiples of 24 LF (3 sticks)

BASE1	CONCR4	EM-3	LR005	RMH150B	SC16	SC5
BASE2	CONCR5	EM-4	LR006	RMH150	SC19-E	SHA-3
BASE5	CONCR6	EM-9	MC10	RMH1	SC19	SHA-4
BBM2	COV-3	FBC1	MC2	RMH250B	SC1	SHA-5
BM4	COV-4	FLT2	MC4	RMH250	SC20	STMW
CC1	COV-5	FLT3	MC5B	RMH2B	SC21	
CC2	COV-6	FLT4	MC5	RMH2	SC2	
CC4	DC1	FLTC3	MC7	SC11	SC2D	
CC5	DC2	FLTC4	MC8	SC12	SC2	
CMD	DEN1	LR001	MC9	SC13	SC2R	
CMR	DEN7	LR002	RC1	SC14	SC3	
CMS	EM-2	LR005-F	RC2	SC15	SC4-E	

Sold in multiples of 40 LF (5 sticks)

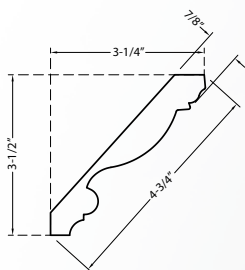
12QTR	DEN8
34QTR	DEN9
BM1	EM-5
DEN10	OCM1
DEN19	

Sold in multiples of 64 LF (8 sticks)

BFM1	RMH12T	RMH58
BM2	RMH14	RMH58T
BM3	RMH34B	SCRIBE1
DEN18	RMH34	SCRIBE2
DEN21	RMH34T	SCRIBE3
DEN5	RMH38	SCRIBE7
RMH12	RMH38T	

Hand Carved Moulding

Priced by the linear foot (LF) and sold by the 8' stick. Sold in multiples designated in item tables below.

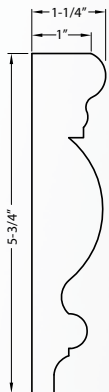


HCM10xx

Height	Depth	Repeat
4-3/4"	7/8"	3-9/16"

**Sold in Multiples of:
8 Linear Feet (1 stick)**

Alder (ALD), Basswood (BW),
Cherry (CH), Maple (MP)

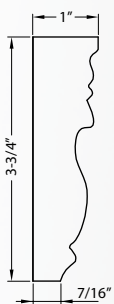


HCM10Bxx

Height	Depth	Repeat
5-3/4"	1-1/4"	3-9/16"

**Sold in Multiples of:
8 Linear Feet (1 stick)**

Basswood (BW), Maple (MP)

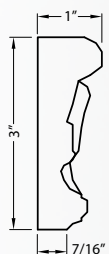


HCM01xx

Height	Depth	Repeat
3-3/4"	1"	2-13/16"

**Sold in Multiples of:
8 Linear Feet (1 stick)**

Alder (ALD), Basswood (BW),
Cherry (CH), Maple (MP)

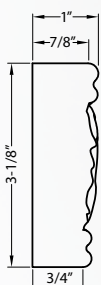


HCM06xx

Height	Depth	Repeat
3"	1"	24"

**Sold in Multiples of:
8 Linear Feet (1 stick)**

Alder (ALD), Basswood (BW),
Cherry (CH), Maple (MP)



HCM09xx

Height	Depth	Repeat
3-1/8"	1"	3-3/4"

**Sold in Multiples of:
8 Linear Feet (1 stick)**

Alder (ALD), Basswood (BW),
Maple (MP)

Hand Carved Moulding

Moulding
& Trim

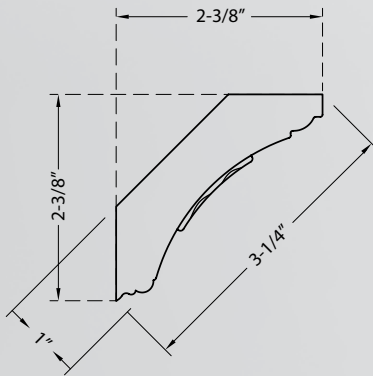
"xx" in item number represents species code



©

HCM13^{xx†}

Height	Depth	Repeat	Sold in Multiples of:	Species
4"	7/8"	5-1/16"	8 Linear Feet (1 stick)	Alder (ALD), Maple (MP)



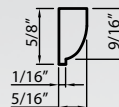
HCM08^{xx}

Height	Depth	Repeat	Sold in Multiples of:	Species
3-1/4"	1"	16-7/8"	8 Linear Feet (1 stick)	Basswood (BW), Cherry (CH), Maple (MP)



HCM11^{xx}

Height	Depth	Repeat	Sold in Multiples of:	Species
1-5/16"	3/4"	1-13/16"	8 Linear Feet (1 stick)	Basswood (BW), Maple (MP)



©

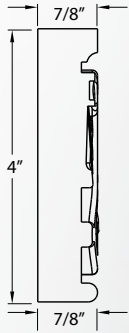
HCM14^{xx}

Height	Depth	Repeat	Sold in Multiples of:	Species
5/8"	5/16"	1"	8 Linear Feet (1 stick)	Maple (MP)



Hand Carved Moulding

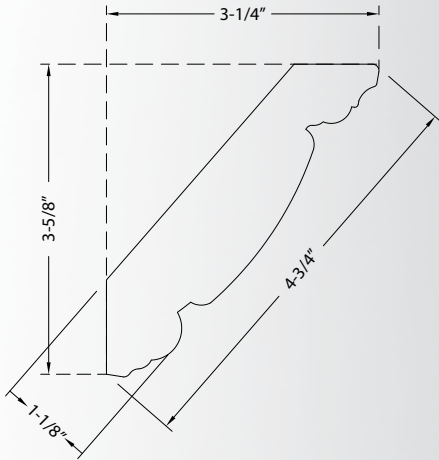
Priced by the linear foot (LF) and sold by the 8' stick. Sold in multiples designated in item tables below.



©

HCM12^{XX}

Height	Depth	Repeat	Sold in Multiples of:	Alder (ALD), Cherry (CH), Maple (MP)
4"	7/8"	4-13/16"	8 Linear Feet (1 stick)	



HCM07^{XX}

Height	Depth	Repeat	Sold in Multiples of:	Basswood (BW), Cherry (CH), Maple (MP)
4-3/4"	1-1/8"	11-7/8"	8 Linear Feet (1 stick)	



HCM05^{XX}

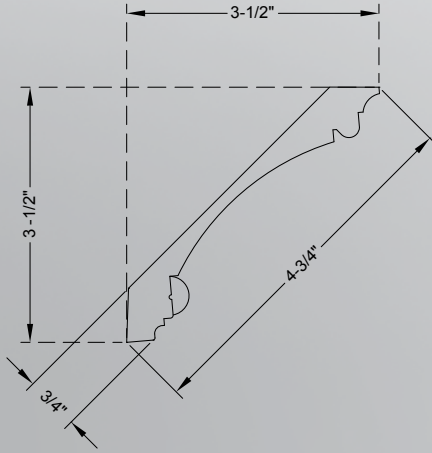
Height	Depth	Repeat	Sold in Multiples of:	Alder (ALD), Basswood (BW), Cherry (CH), Maple (MP)
4"	1"	12"	8 Linear Feet (1 stick)	



Rope Crown

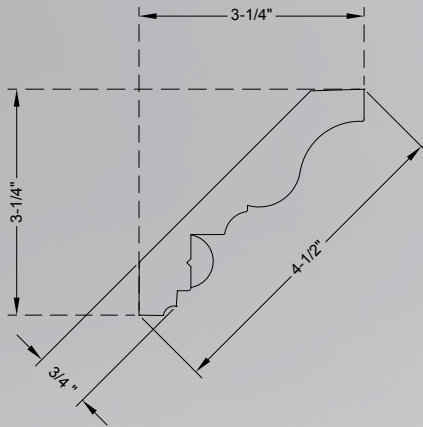
Moulding
& Trim

"xx" in item number represents species code



MC2XX

Height	Depth	Sold in Multiples of: 24 linear feet (3 sticks)	Alder (ALD), Cherry (CH), Hard Maple (HMP), Oak (OK), Poplar (POP)
4-3/4"	3/4"		



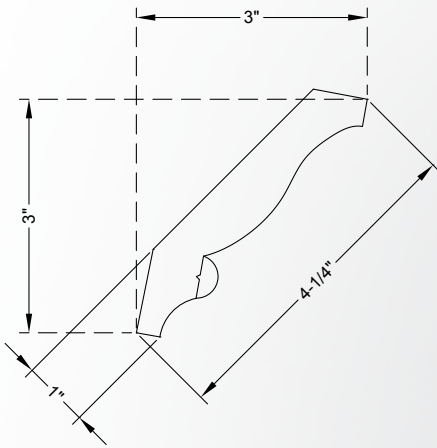
MC4XX

Height	Depth	Sold in Multiples of: 24 linear feet (3 sticks)	Alder (ALD), Cherry (CH), Hard Maple (HMP), Oak (OK), Poplar (POP)
4-1/2"	3/4"		

Rope Crown

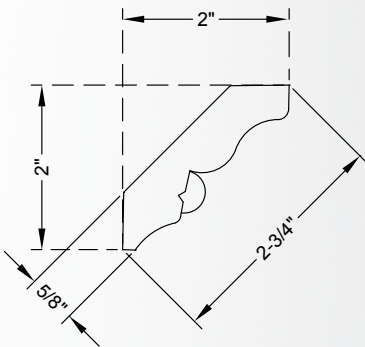


Priced by the linear foot (LF) and sold by the 8' stick.
Sold in multiples designated in item tables below.



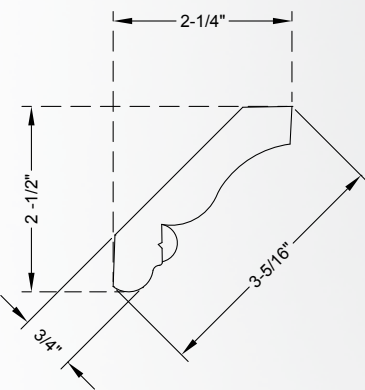
RC1_{XX}

Height	Depth	Sold in Multiples of: 24 linear feet (3 sticks)	Alder (ALD), Cherry (CH), Hard Maple (HMP), Oak (OK), Poplar (POP)
4-1/4"	3/4"		



RC2_{XX}

Height	Depth	Sold in Multiples of: 24 linear feet (3 sticks)	Alder (ALD), Cherry (CH), Hard Maple (HMP), Oak (OK), Poplar (POP)
2-3/4"	5/8"		



SC2R-_{XX}

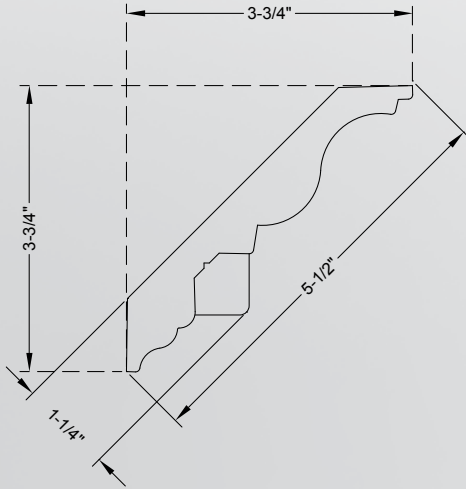
Height	Depth	Sold in Multiples of: 24 linear feet (3 sticks)	Alder (ALD), Cherry (CH), Hard Maple (HMP), Oak (OK), Poplar (POP)
3-5/16"	3/4"		



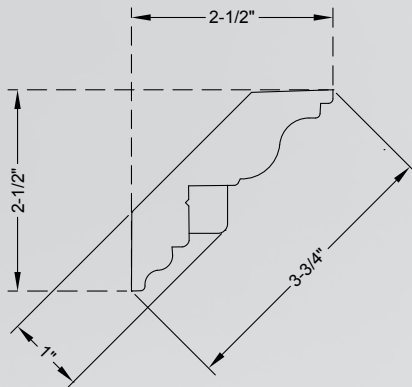
Dentil Crown

Moulding & Trim

"xx" in item number represents species code



DC2xx			
<i>Height</i>	<i>Depth</i>	Sold in Multiples of: 24 linear feet (3 sticks)	Alder (ALD), Cherry (CH), Hard Maple (HMP), Oak (OK), Poplar (POP)
5-1/2"	1-1/4"		

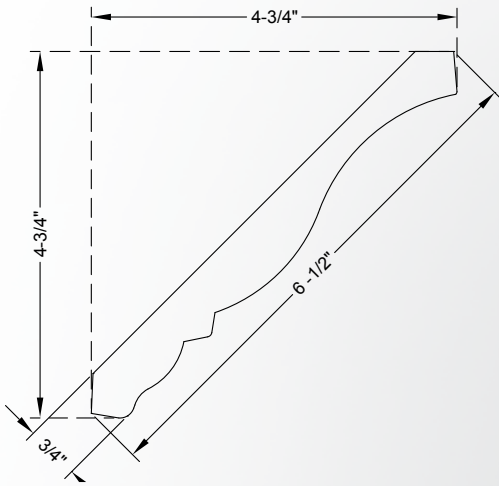


DC1xx			
<i>Height</i>	<i>Depth</i>	Sold in Multiples of: 24 linear feet (3 sticks)	Alder (ALD), Cherry (CH), Hard Maple (HMP), Oak (OK), Poplar (POP)
3-3/4"	1"		

Standard Crown

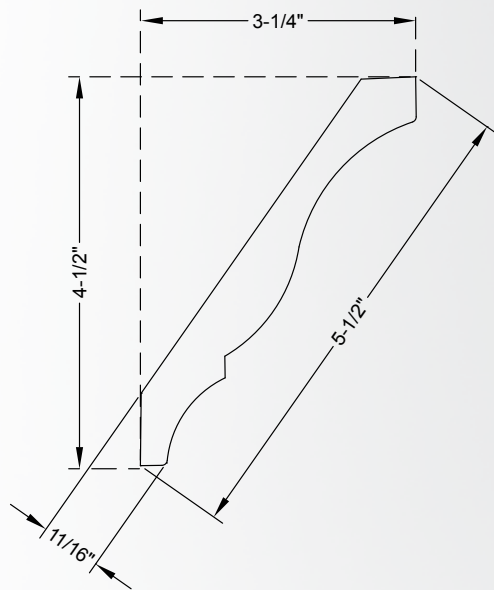


Priced by the linear foot (LF) and sold by the 8' stick.
Sold in multiples designated in item tables below.




SC15XX[†]

Height	Depth	Sold in Multiples of:	Oak (OK)
6-1/2"	3/4"	24 linear feet (3 sticks)	



SC12XX

Height	Depth	Sold in Multiples of:	Alder (ALD), Cherry (CH), Hard Maple (HMP), Oak (OK), Poplar (POP)
5-1/2"	11/16"	24 linear feet (3 sticks)	

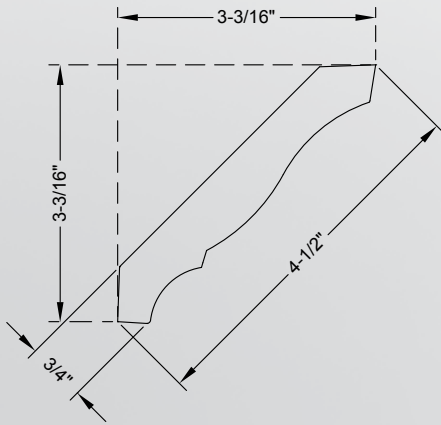
 These products are being retired.
Check availability online or call for products marked with "†".



Standard Crown

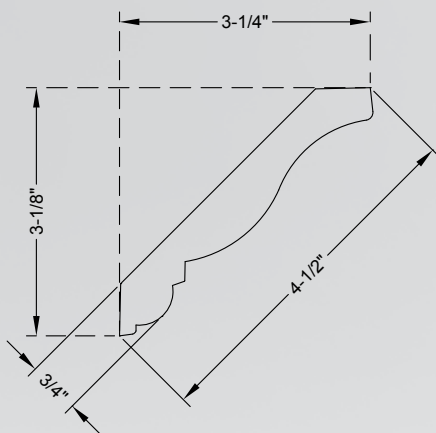
Moulding
& Trim

"xx" in item number represents species code



SC14xx

Height	Depth	Sold in Multiples of:	Species
4-1/2"	3/4"	24 linear feet (3 sticks)	Alder (ALD), Cherry (CH), Hard Maple (HMP), Oak (OK), Poplar (POP)



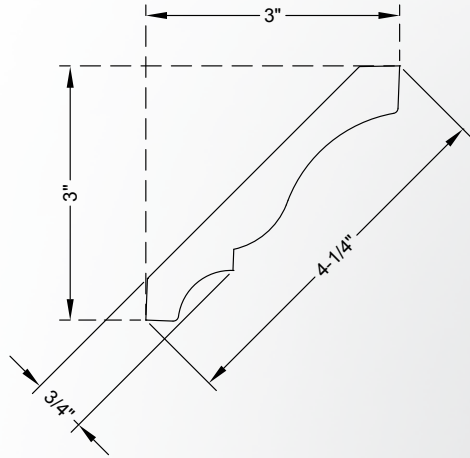
SC20xx

Height	Depth	Sold in Multiples of:	Species
4-1/2"	3/4"	24 linear feet (3 sticks)	Alder (ALD), Cherry (CH), Hard Maple (HMP), Oak (OK), Poplar (POP)

Standard Crown

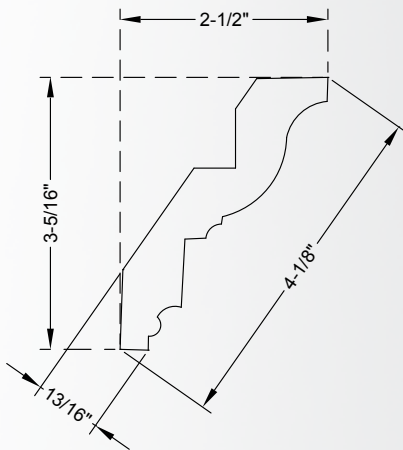


Priced by the linear foot (LF) and sold by the 8' stick.
Sold in multiples designated in item tables below.



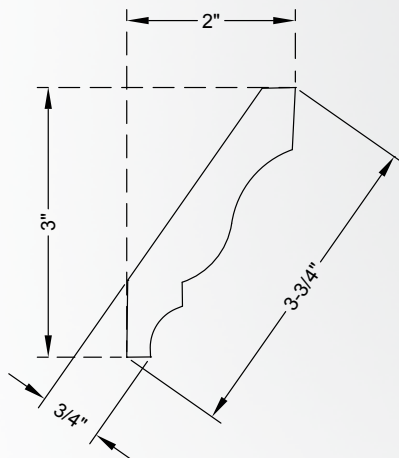
SC11^{XX}

Height	Depth	Sold in Multiples of: 24 linear feet (3 sticks)	Alder (ALD), Cherry (CH), Hard Maple (HMP), Oak (OK), Poplar (POP)
4-1/4"	3/4"		



SC19^{XX}

Height	Depth	Sold in Multiples of: 24 linear feet (3 sticks)	Alder (ALD), Cherry (CH), Hard Maple (HMP), Oak (OK), Poplar (POP)
4-1/8"	13/16"		



SC5^{XX}

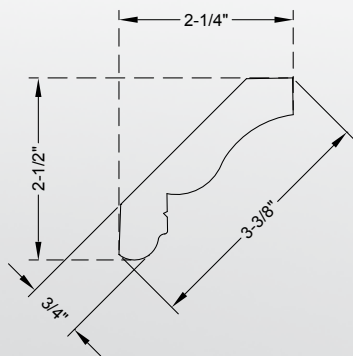
Height	Depth	Sold in Multiples of: 24 linear feet (3 sticks)	Alder (ALD), Cherry (CH), Hard Maple (HMP), Oak (OK), Poplar (POP)
3-3/4"	3/4"		



Standard Crown

Moulding & Trim

"xx" in item number represents species code

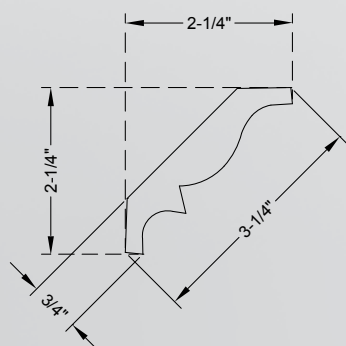


SC2XX

Height	Depth
3-3/8"	3/4"

Sold in Multiples of:
24 linear feet (3 sticks)

Alder (ALD), Cherry (CH),
Hard Maple (HMP), Oak
(OK), Poplar (POP)

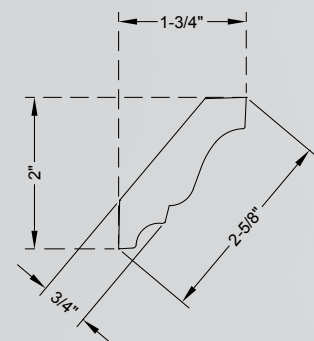


SC1XX

Height	Depth
3-1/4"	3/4"

Sold in Multiples of:
24 linear feet (3 sticks)

Alder (ALD), Cherry (CH),
Hard Maple (HMP), Oak
(OK), Poplar (POP)

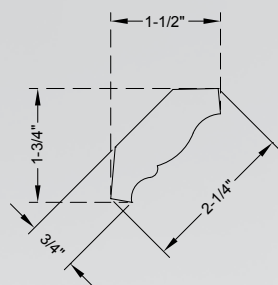


SC3XX

Height	Depth
2-5/8"	3/4"

Sold in Multiples of:
24 linear feet (3 sticks)

Alder (ALD), Cherry (CH),
Hard Maple (HMP), Oak
(OK), Poplar (POP)

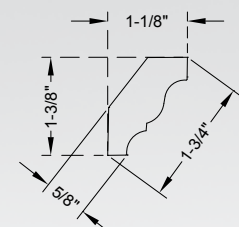


SC16XX

Height	Depth
2-1/4"	3/4"

Sold in Multiples of:
24 linear feet (3 sticks)

Alder (ALD), Cherry (CH),
Hard Maple (HMP), Oak
(OK), Poplar (POP)



SC13XX[†]

Height	Depth
1-3/4"	5/8"

Sold in Multiples of:
24 linear feet (3 sticks)

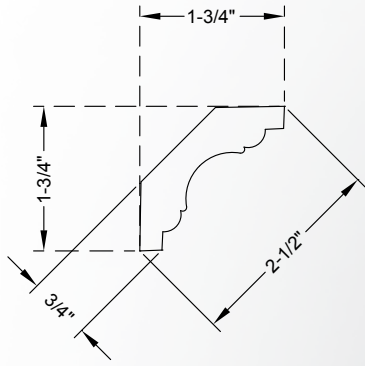
Cherry (CH)



Cove Crown

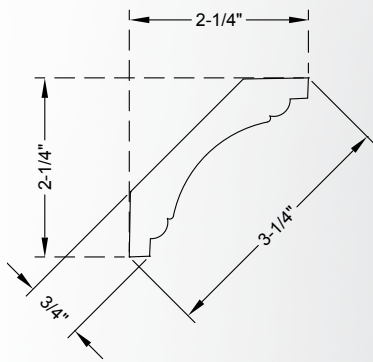


Priced by the linear foot (LF) and sold by the 8' stick.
Sold in multiples designated in item tables below.



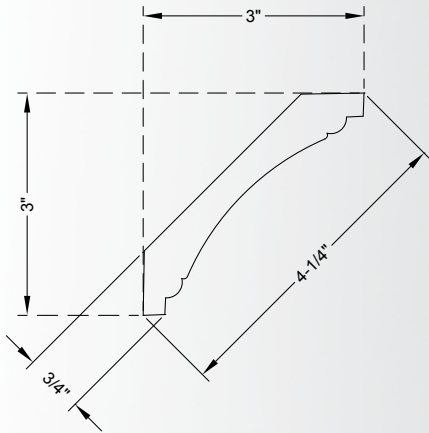
MC8_{XX}	
<i>Height</i>	<i>Depth</i>
2-1/2"	3/4"
Sold in Multiples of: 24 linear feet (3 sticks)	

Alder (ALD), Cherry (CH),
Hard Maple (HMP), Poplar
(POP)



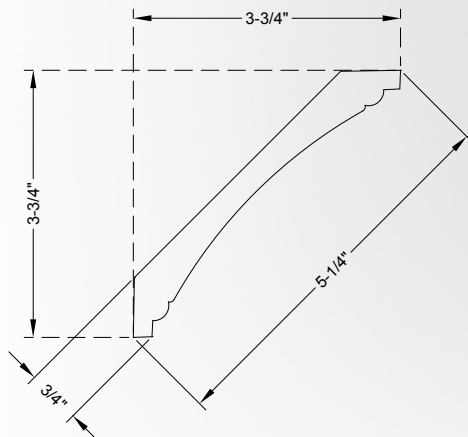
MC9_{XX}	
<i>Height</i>	<i>Depth</i>
3-1/4"	3/4"
Sold in Multiples of: 24 linear feet (3 sticks)	

Alder (ALD), Cherry (CH),
Hard Maple (HMP), Poplar
(POP)



MC7_{XX}	
<i>Height</i>	<i>Depth</i>
4-1/4"	3/4"
Sold in Multiples of: 24 linear feet (3 sticks)	

Alder (ALD), Cherry (CH),
Hard Maple (HMP), Poplar
(POP)



MC10_{XX}	
<i>Height</i>	<i>Depth</i>
5-1/4"	3/4"
Sold in Multiples of: 24 linear feet (3 sticks)	

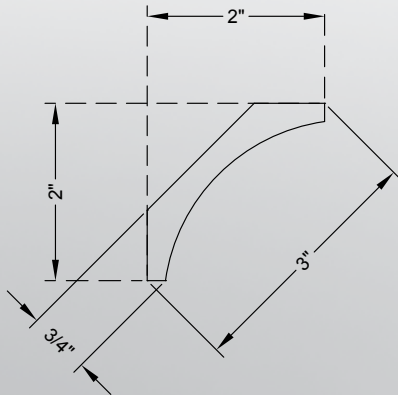
Alder (ALD), Cherry (CH),
Hard Maple (HMP), Poplar
(POP)



Cove Crown

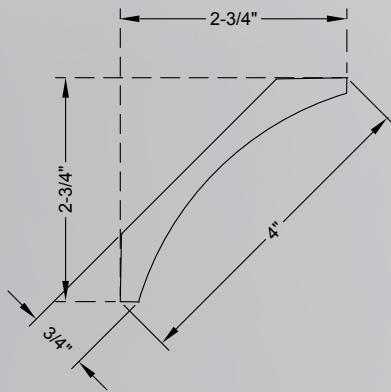
Moulding & Trim

"xx" in item number represents species code



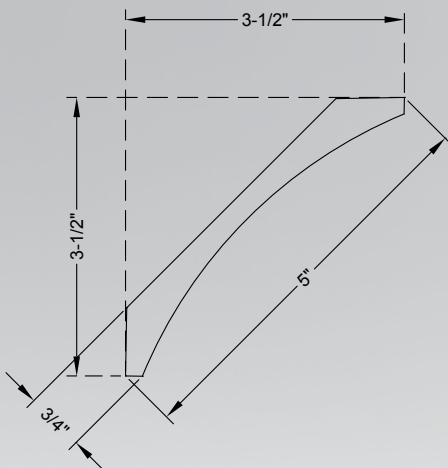
COV-3-xx

Height	Depth	Sold in Multiples of: 24 linear feet (3 sticks)	Alder (ALD), Cherry (CH), Hard Maple (HMP), Oak (OK), Poplar (POP)
3"	3/4"		



COV-4-xx

Height	Depth	Sold in Multiples of: 24 linear feet (3 sticks)	Alder (ALD), Cherry (CH), Hard Maple (HMP), Oak (OK), Poplar (POP)
4"	3/4"		



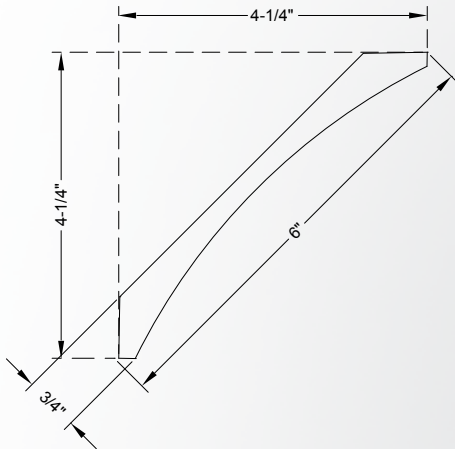
COV-5-xx

Height	Depth	Sold in Multiples of: 24 linear feet (3 sticks)	Alder (ALD), Cherry (CH), Hard Maple (HMP), Oak (OK), Poplar (POP)
5"	3/4"		

Cove Crown

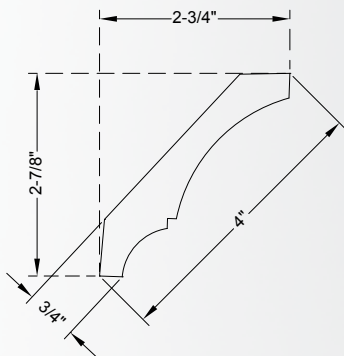


Priced by the linear foot (LF) and sold by the 8' stick.
Sold in multiples designated in item tables below.



COV-6-XX

Height	Depth	Sold in Multiples of: 24 linear feet (3 sticks)	Alder (ALD), Cherry (CH), Hard Maple (HMP), Oak (OK), Poplar (POP)
6"	3/4"		



CONCR4-XX

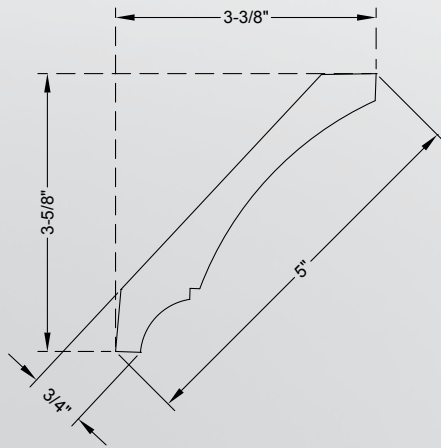
Height	Depth	Sold in Multiples of: 24 linear feet (3 sticks)	Hard Maple (HMP), Poplar (POP)
4"	3/4"		



Cove Crown

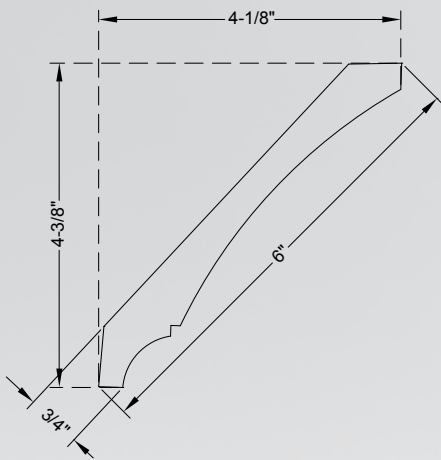
Moulding
& Trim

"xx" in item number represents species code



CONCR5-xx

Height	Depth	Sold in Multiples of:	Hard Maple (HMP), Poplar (POP)
5"	3/4"	24 linear feet (3 sticks)	



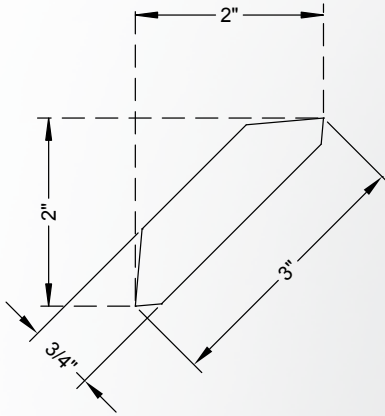
CONCR6-xx

Height	Depth	Sold in Multiples of:	Hard Maple (HMP), Poplar (POP)
6"	3/4"	24 linear feet (3 sticks)	

Shaker Crown

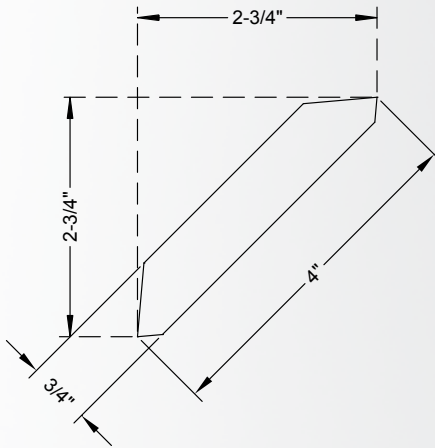


Priced by the linear foot (LF) and sold by the 8' stick.
Sold in multiples designated in item tables below.



SHA-3-XX

Height	Depth	Sold in Multiples of: 24 linear feet (3 sticks)	Alder (ALD), Cherry (CH), Hard Maple (HMP), Oak (OK), Poplar (POP)
3"	3/4"		



SHA-4-XX

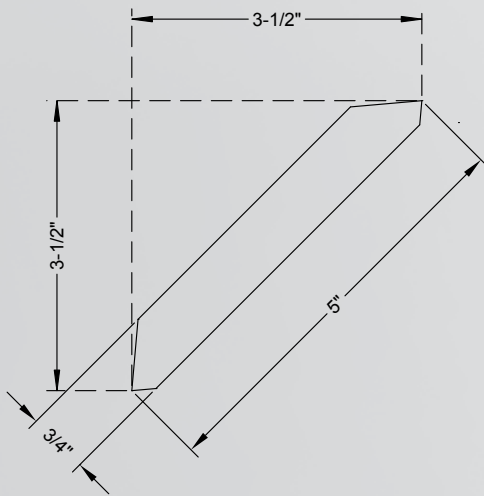
Height	Depth	Sold in Multiples of: 24 linear feet (3 sticks)	Alder (ALD), Cherry (CH), Hard Maple (HMP), Oak (OK), Poplar (POP)
4"	3/4"		



Shaker Crown

Moulding
& Trim

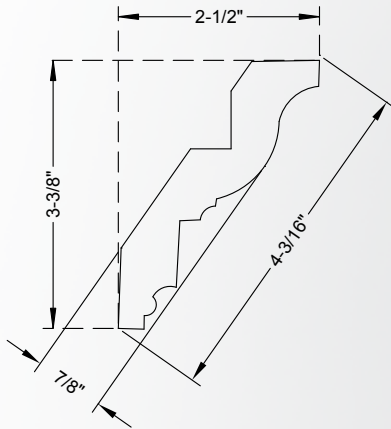
"xx" in item number represents species code



SHA-5-xx

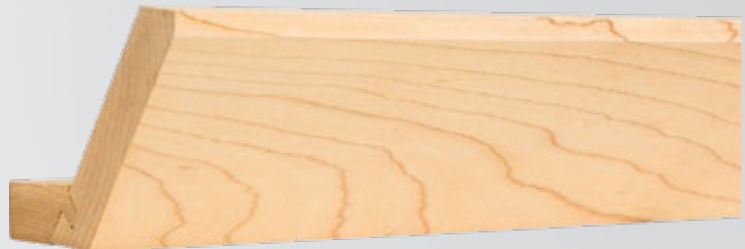
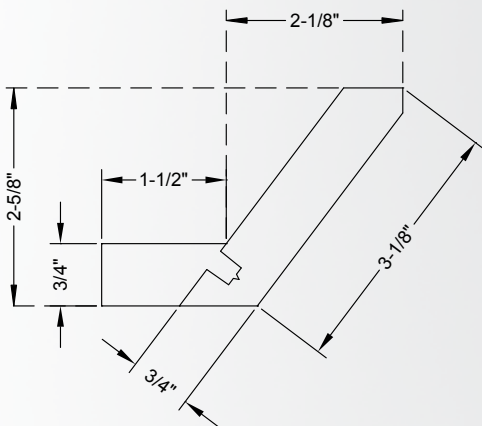
Height	Depth	Sold in Multiples of: 24 linear feet (3 sticks)	Alder (ALD), Cherry (CH), Hard Maple (HMP), Oak (OK), Poplar (POP)
5"	3/4"		

Priced by the linear foot (LF) and sold by the 8' stick.
Sold in multiples designated in item tables below.



SC19-E_{xx}

Height	Depth	Sold in Multiples of: 24 linear feet (3 sticks)	Alder (ALD), Cherry (CH), Hard Maple (HMP), Oak (OK), Poplar (POP)
4-3/16"	7/8"		



SC4-E_{xx}

Height	Depth	Sold in Multiples of: 24 linear feet (3 sticks)	Alder (ALD), Cherry (CH), Hard Maple (HMP), Oak (OK), Poplar (POP)
3-1/8"	3/4"		

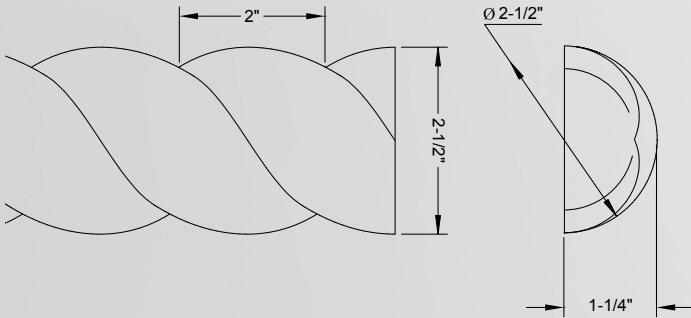


Half Round Rope

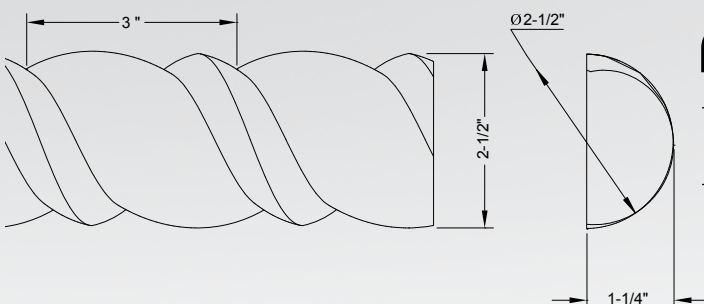
Moulding & Trim

"xx" in item number represents species code

Shown actual size



RMH250xx			
Height	Depth	Sold in Multiples of: 24 linear feet (3 sticks)	Alder (ALD), Cherry (CH), Hard Maple (HMP), Oak (OK), Poplar (POP)
2-1/2"	1-1/4"		



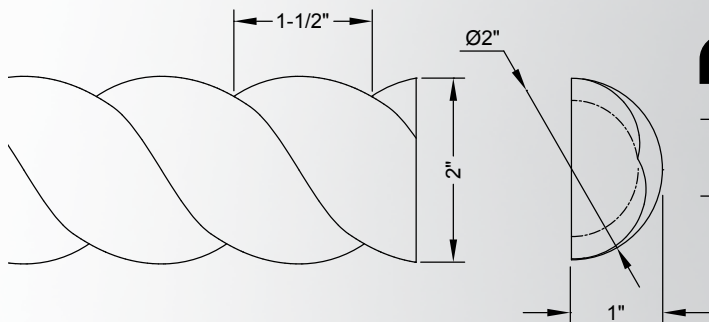
RMH250Bxx			
Height	Depth	Sold in Multiples of: 24 linear feet (3 sticks)	Alder (ALD), Cherry (CH), Hard Maple (HMP), Oak (OK), Poplar (POP)
2-9/16"	1-1/4"		

Half Round Rope



Priced by the linear foot (LF) and sold by the 8' stick.
Sold in multiples designated in item tables below.

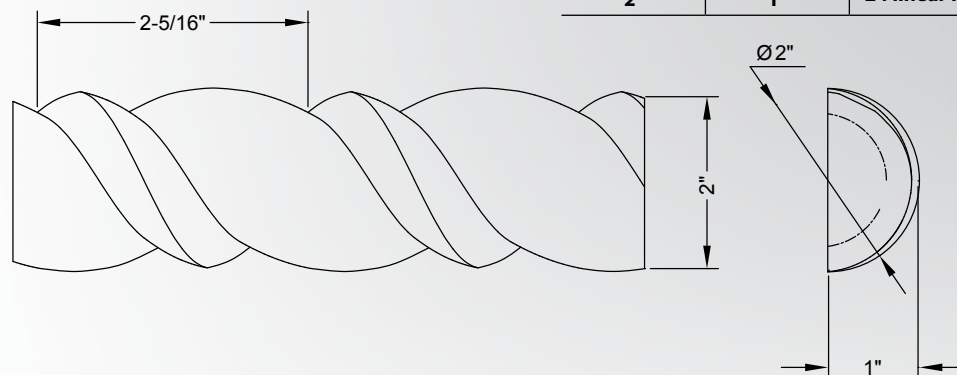
Shown actual size



RMH2XX			
<i>Height</i>	<i>Depth</i>	Sold in Multiples of: 24 linear feet (3 sticks)	Alder (ALD), Cherry (CH), Hard Maple (HMP), Oak (OK), Poplar (POP)
2"	1"		



RMH2BXX			
<i>Height</i>	<i>Depth</i>	Sold in Multiples of: 24 linear feet (3 sticks)	Alder (ALD), Cherry (CH), Hard Maple (HMP), Oak (OK), Poplar (POP)
2"	1"		



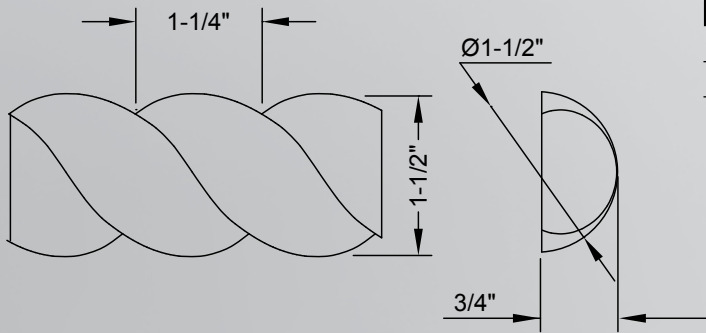


Half Round Rope

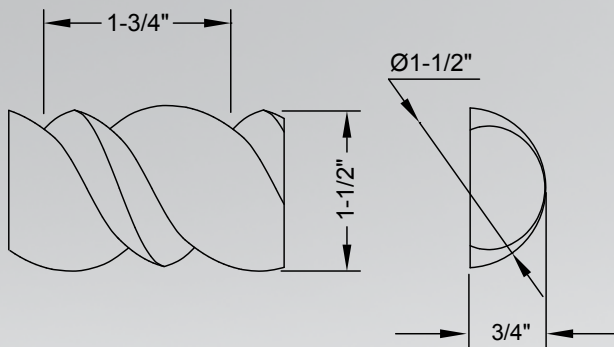
Moulding & Trim

"xx" in item number represents species code

Shown actual size



RMH150xx			
<i>Height</i>	<i>Depth</i>	Sold in Multiples of:	<i>Alder (ALD), Hard Maple (HMP)</i>
1-1/2"	3/4"	24 linear feet (3 sticks)	



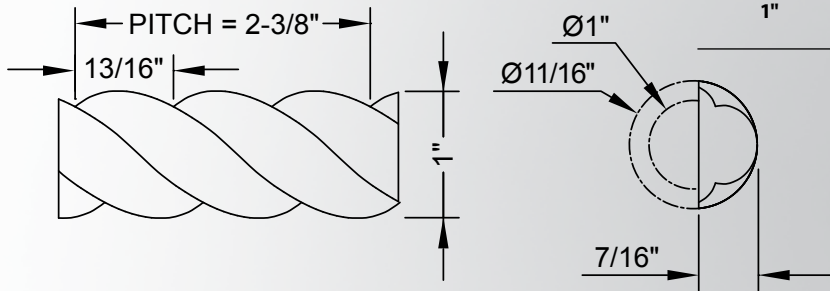
RMH150Bxx			
<i>Height</i>	<i>Depth</i>	Sold in Multiples of:	<i>Alder (ALD), Cherry (CH), Hard Maple (HMP), Oak (OK), Poplar (POP)</i>
1-1/2"	3/4"	24 linear feet (3 sticks)	

Half Round Rope



Shown actual size

Priced by the linear foot (LF) and sold by the 8' stick.
Sold in multiples designated in item tables below.



RMH1_{XX}			
<i>Height</i>	<i>Depth</i>	Sold in Multiples of: 24 linear feet (3 sticks)	<i>Alder (ALD), Cherry (CH), Hard Maple (HMP), Oak (OK), Poplar (POP)</i>
1"	7/16"		



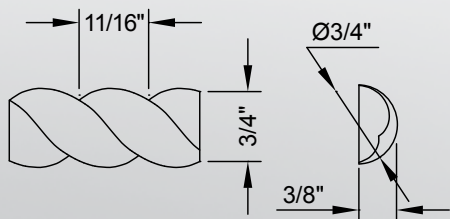


Half Round Rope

Moulding
& Trim

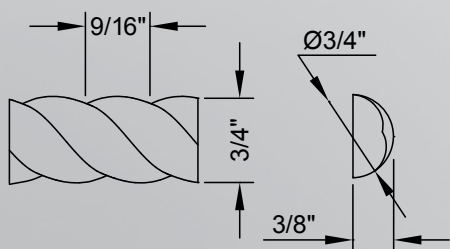
"xx" in item number represents species code

Shown actual size



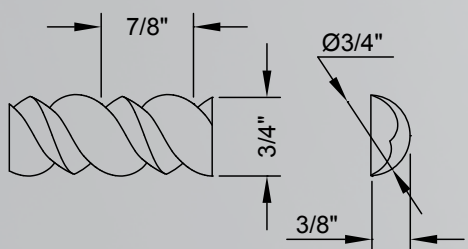
RMH34xx

Height	Depth	Sold in Multiples of: 64 linear feet (8 sticks)	Alder (ALD), Cherry (CH), Hard Maple (HMP), Oak (OK), Poplar (POP)
3/4"	3/8"		



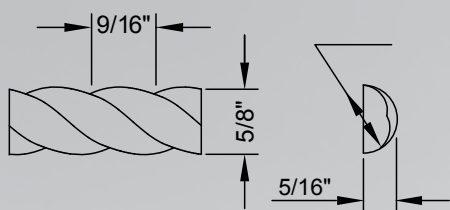
RMH34Txx

Height	Depth	Sold in Multiples of: 64 linear feet (8 sticks)	Alder (ALD), Cherry (CH), Hard Maple (HMP), Oak (OK), Poplar (POP)
3/4"	3/8"		



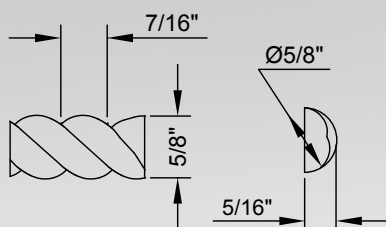
RMH34Bxx

Height	Depth	Sold in Multiples of: 64 linear feet (8 sticks)	Alder (ALD), Cherry (CH), Hard Maple (HMP), Oak (OK), Poplar (POP)
3/4"	3/8"		



RMH58xx

Height	Depth	Sold in Multiples of: 64 linear feet (8 sticks)	Alder (ALD), Cherry (CH), Hard Maple (HMP), Oak (OK), Poplar (POP)
5/8"	5/16"		



RMH58Txx

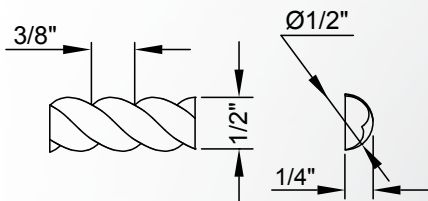
Height	Depth	Sold in Multiples of: 64 linear feet (8 sticks)	Alder (ALD), Cherry (CH), Hard Maple (HMP), Oak (OK), Poplar (POP)
5/8"	5/16"		

Half Round Rope

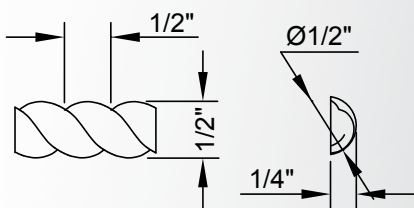


Shown actual size

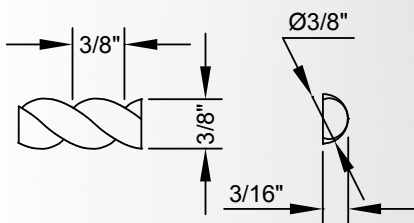
Priced by the linear foot (LF) and sold by the 8' stick.
Sold in multiples designated in item tables below.



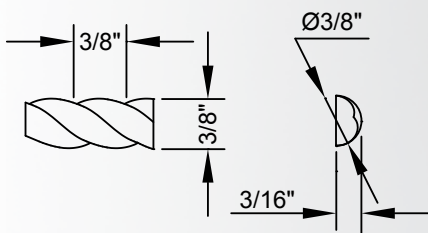
RMH12xx			
Height	Depth	Sold in Multiples of:	Alder (ALD), Cherry (CH), Hard Maple (HMP), Oak (OK), Poplar (POP)
1/2"	1/4"	64 linear feet (8 sticks)	



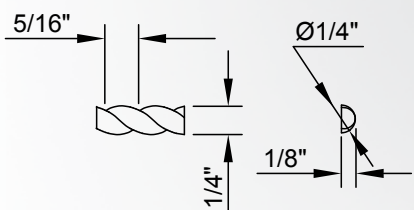
RMH12Txx			
Height	Depth	Sold in Multiples of:	Alder (ALD), Cherry (CH), Hard Maple (HMP), Oak (OK), Poplar (POP)
1/2"	1/4"	64 linear feet (8 sticks)	



RMH38xx			
Height	Depth	Sold in Multiples of:	Alder (ALD), Cherry (CH), Hard Maple (HMP), Oak (OK), Poplar (POP)
3/8"	3/16"	64 linear feet (8 sticks)	



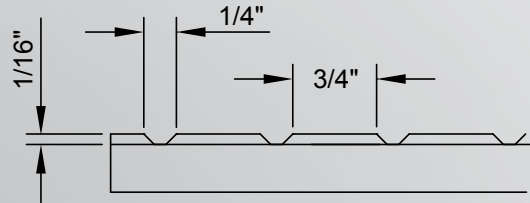
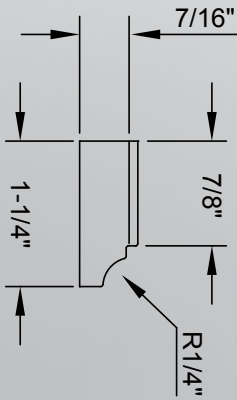
RMH38Txx			
Height	Depth	Sold in Multiples of:	Alder (ALD), Cherry (CH), Hard Maple (HMP), Oak (OK), Poplar (POP)
3/8"	3/16"	64 linear feet (8 sticks)	



RMH14xx			
Height	Depth	Sold in Multiples of:	Alder (ALD), Cherry (CH), Hard Maple (HMP), Oak (OK), Poplar (POP)
1/4"	1/8"	64 linear feet (8 sticks)	

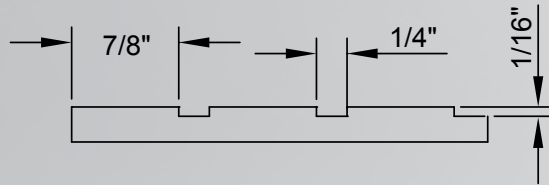
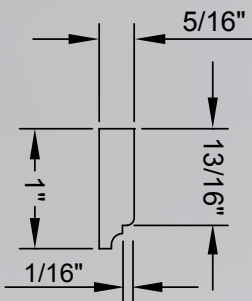
"xx" in item number represents species code

Shown actual size



DEN1xx[†]

Height	Depth	Sold in Multiples of: 24 linear feet (3 sticks)	Alder (ALD), Hard Maple (HMP)
1-1/4"	1/2"		



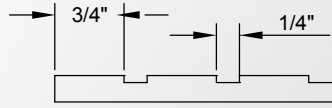
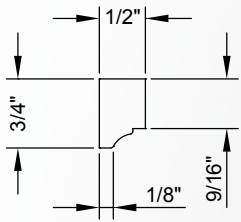
DEN10xx[†]

Height	Depth	Sold in Multiples of: 40 linear feet (5 sticks)	Poplar (POP)
1"	5/16"		



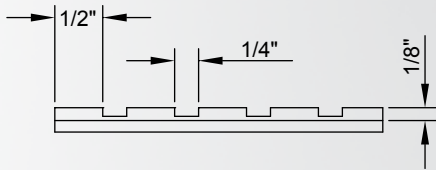
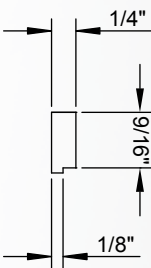
Priced by the linear foot (LF) and sold by the 8' stick.
Sold in multiples designated in item tables below.

Shown actual size



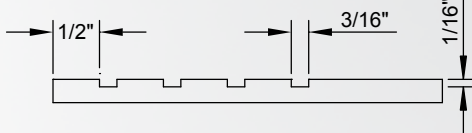
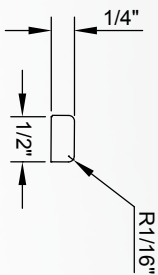
DEN19^{xx}

Height	Depth	Sold in Multiples of: 40 linear feet (5 sticks)	Alder (ALD), Cherry (CH), Hard Maple (HMP), Oak (OK), Poplar (POP)
3/4"	1/2"		



DEN18^{xx}

Height	Depth	Sold in Multiples of: 64 linear feet (8 sticks)	Alder (ALD), Cherry (CH), Hard Maple (HMP), Oak (OK), Poplar (POP)
5/8"	1/4"		

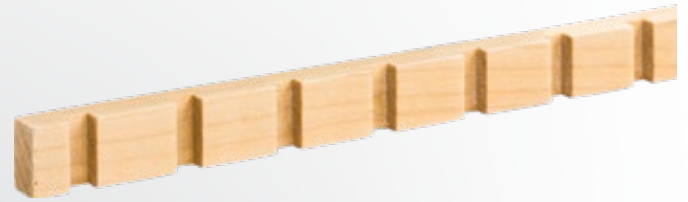
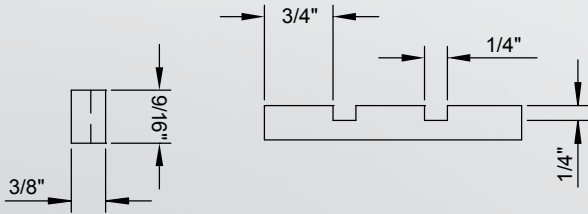


DEN5^{xx}

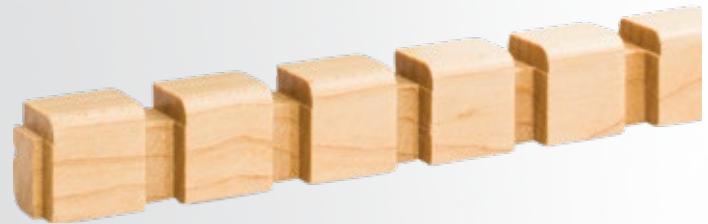
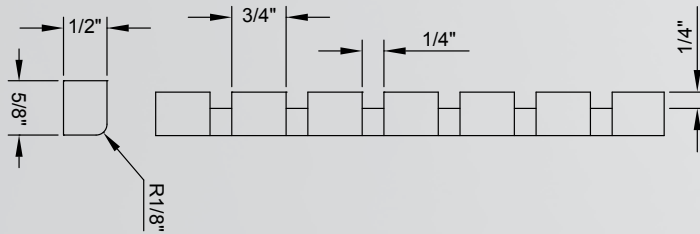
Height	Depth	Sold in Multiples of: 64 linear feet (8 sticks)	Alder (ALD), Cherry (CH), Hard Maple (HMP), Oak (OK), Poplar (POP)
1/2"	1/4"		

"xx" in item number represents species code

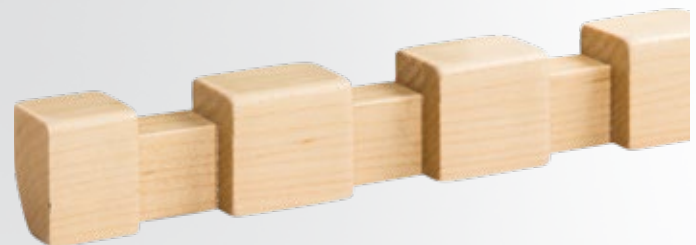
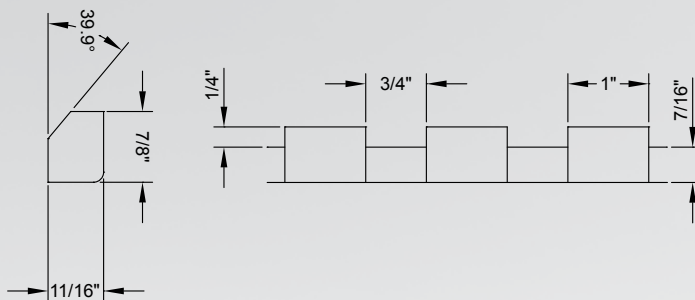
Shown actual size



DEN21xx			
<i>Height</i>	<i>Depth</i>	Sold in Multiples of: 64 linear feet (8 sticks)	Alder (ALD), Cherry (CH), Hard Maple (HMP), Oak (OK), Poplar (POP)
9/16"	3/8"		

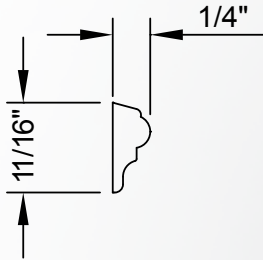


DEN8xx			
<i>Height</i>	<i>Depth</i>	Sold in Multiples of: 40 linear feet (5 sticks)	Alder (ALD), Cherry (CH), Hard Maple (HMP), Oak (OK), Poplar (POP)
5/8"	1/2"		



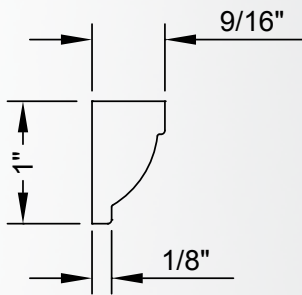
DEN9xx			
<i>Height</i>	<i>Depth</i>	Sold in Multiples of: 40 linear feet (5 sticks)	Alder (ALD), Hard Maple (HMP), Oak (OK), Poplar (POP)
7/8"	11/16"		

Priced by the linear foot (LF) and sold by the 8' stick.
Sold in multiples designated in item tables below.



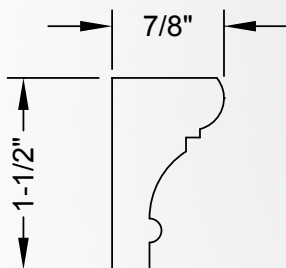
EM-3xx[†]

Height	Depth	Sold in Multiples of:	Poplar (POP)
11/16"	1/4"	24 linear feet (3 sticks)	




EM-4xx

Height	Depth	Sold in Multiples of:	Alder (ALD), Cherry (CH), Hard Maple (HMP), Poplar (POP)
1"	9/16"	24 linear feet (3 sticks)	

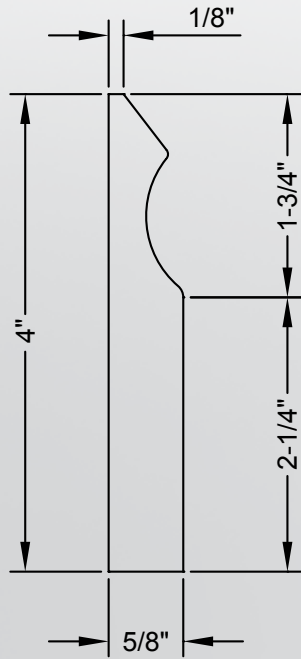


EM-2xx[†]

Height	Depth	Sold in Multiples of:	Alder (ALD), Hard Maple (HMP)
1-1/2"	7/8"	24 linear feet (3 sticks)	

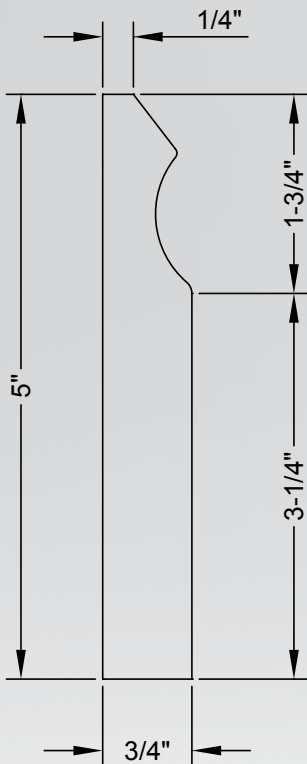
 These products are being retired.
Check availability online or call for products marked with "†".

"xx" in item number represents species code



BASE1-4-xx

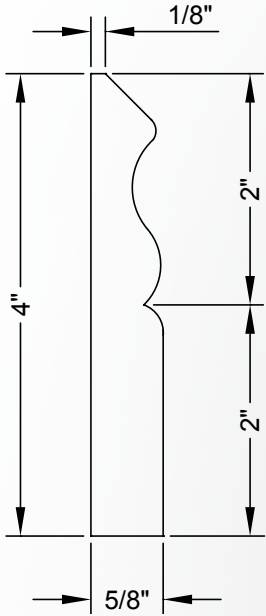
Height	Depth	Sold in Multiples of:	Hard Maple (HMP), Poplar (POP)
4"	5/8"	24 linear feet (3 sticks)	



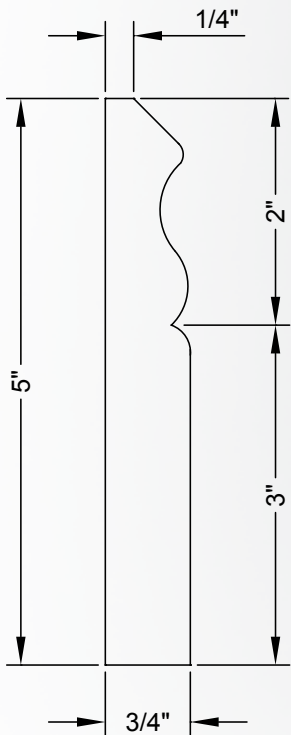
BASE1-5-xx

Height	Depth	Sold in Multiples of:	Hard Maple (HMP), Poplar (POP)
5"	3/4"	24 linear feet (3 sticks)	

Priced by the linear foot (LF) and sold by the 8' stick.
Sold in multiples designated in item tables below.

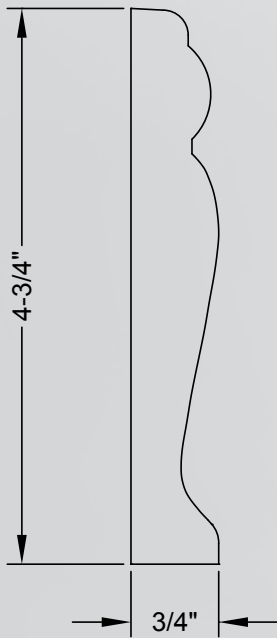


BASE2-4-XX			
<i>Height</i>	<i>Depth</i>	Sold in Multiples of: 24 linear feet (3 sticks)	Hard Maple (HMP), Poplar (POP)
4"	5/8"		



BASE2-5-XX			
<i>Height</i>	<i>Depth</i>	Sold in Multiples of: 24 linear feet (3 sticks)	Hard Maple (HMP), Poplar (POP)
5"	3/4"		

"xx" in item number represents species code



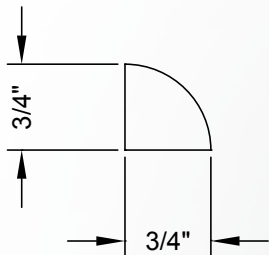
BASE5-xx			
<i>Height</i>	<i>Depth</i>	Sold in Multiples of:	<i>Hard Maple (HMP), Poplar (POP)</i>
4-3/4"	3/4"	24 linear feet (3 sticks)	

Accent

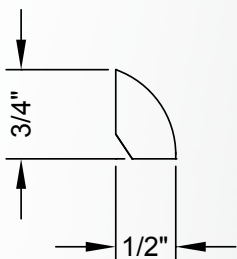


Priced by the linear foot (LF) and sold by the 8' stick.
Sold in multiples designated in item tables below.

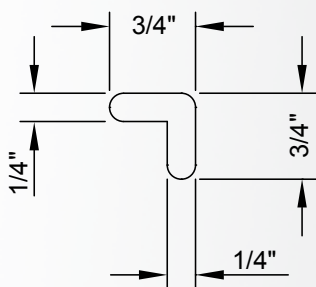
Shown actual size



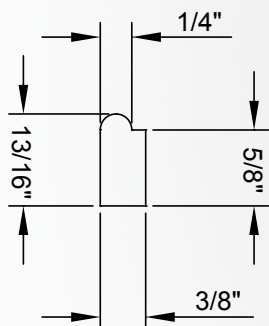
34QTR^{xx}	
Height	Depth
3/4"	3/4"
Sold in Multiples of: 40 linear feet (5 sticks)	
Alder (ALD), Cherry (CH), Hard Maple (HMP), Oak (OK), Poplar (POP)	



12QTR^{xx}	
Height	Depth
3/4"	1/2"
Sold in Multiples of: 40 linear feet (5 sticks)	
Alder (ALD), Cherry (CH), Hard Maple (HMP), Oak (OK), Poplar (POP)	



OCM1^{xx}			
Height	Depth	Sold in Multiples of: 40 linear feet (5 sticks)	Alder (ALD), Cherry (CH), Hard Maple (HMP), Oak (OK), Poplar (POP)
3/4"	3/4"		



BFM1^{xx}			
Height	Depth	Sold in Multiples of: 64 linear feet (8 sticks)	Alder (ALD), Cherry (CH), Hard Maple (HMP), Oak (OK), Poplar (POP)
13/16"	3/8"		

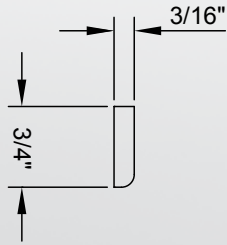


Accent

Moulding & Trim

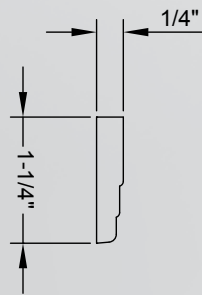
"xx" in item number represents species code

Shown actual size



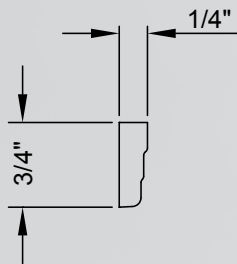
SCRIBE1xx

Height	Depth	Sold in Multiples of: 64 linear feet (8 sticks)	Alder (ALD), Cherry (CH), Hard Maple (HMP), Oak (OK), Poplar (POP)
3/4"	3/16"		



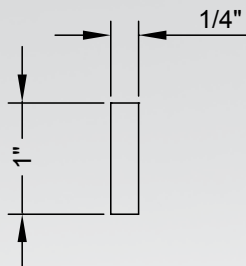
SCRIBE2xx

Height	Depth	Sold in Multiples of: 64 linear feet (8 sticks)	Alder (ALD), Hard Maple (HMP), Oak (OK)
1-1/4"	1/4"		



SCRIBE3xx

Height	Depth	Sold in Multiples of: 64 linear feet (8 sticks)	Alder (ALD), Hard Maple (HMP), Oak (OK)
3/4"	1/4"		



SCRIBE7-xx

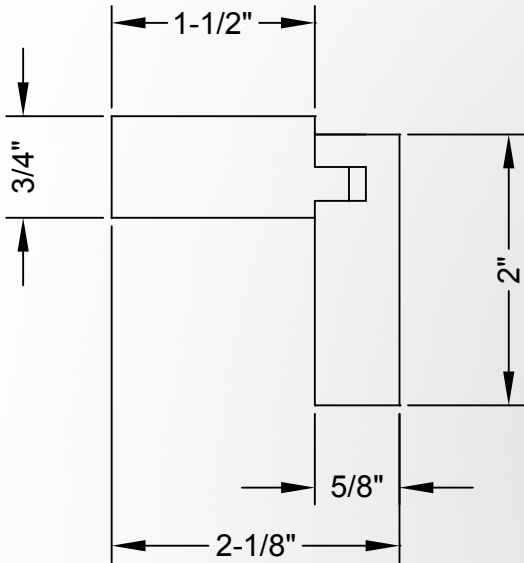
Height	Depth	Sold in Multiples of: 64 linear feet (8 sticks)	Hard Maple (HMP), Poplar (POP)
1"	1/4"		

Light Rail



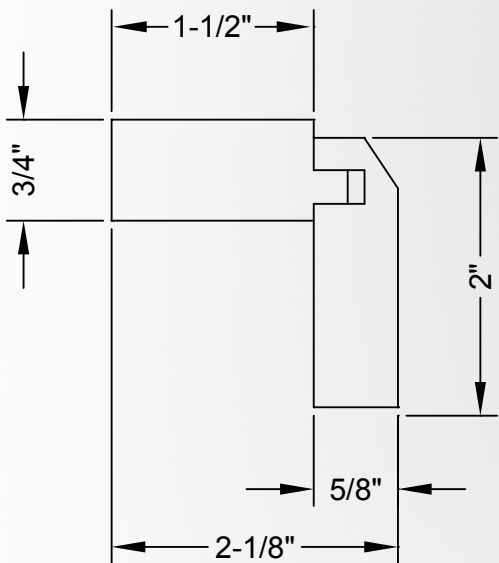
Priced by the linear foot (LF) and sold by the 8' stick.
Sold in multiples designated in item tables below.

Shown actual size



LR005-XX

Height	Depth	Sold in Multiples of: 24 linear feet (3 sticks)	Alder (ALD), Cherry (CH), Hard Maple (HMP), Oak (OK), Poplar (POP)
2-1/8"	2-1/8"		



LR006-XX

Height	Depth	Sold in Multiples of: 24 linear feet (3 sticks)	Cherry (CH), Hard Maple (HMP), Oak (OK), Poplar (POP)
2-1/8"	2-1/8"		

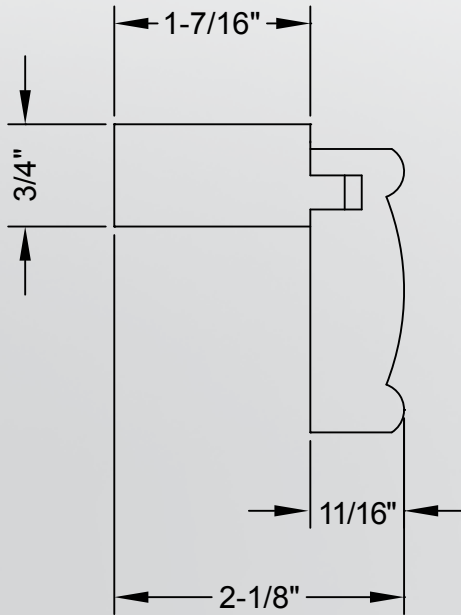


Light Rail

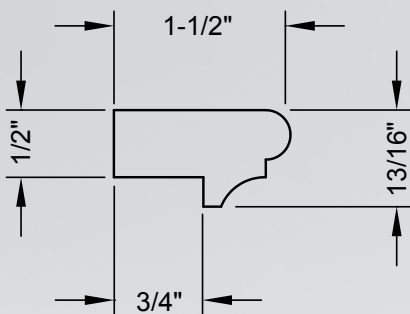
Moulding & Trim

"xx" in item number represents species code

Shown actual size



LR002-xx			
Height	Depth	Sold in Multiples of: 24 linear feet (3 sticks)	Alder (ALD), Cherry (CH), Hard Maple (HMP), Oak (OK), Poplar (POP)
2-1/4"	2-1/8"		



LR001-xx			
Height	Depth	Sold in Multiples of: 24 linear feet (3 sticks)	Alder (ALD), Cherry (CH), Hard Maple (HMP), Oak (OK), Poplar (POP)
13/16"	1-1/2"		

Light Rail

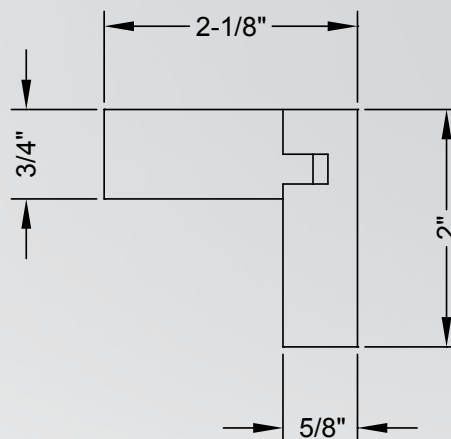
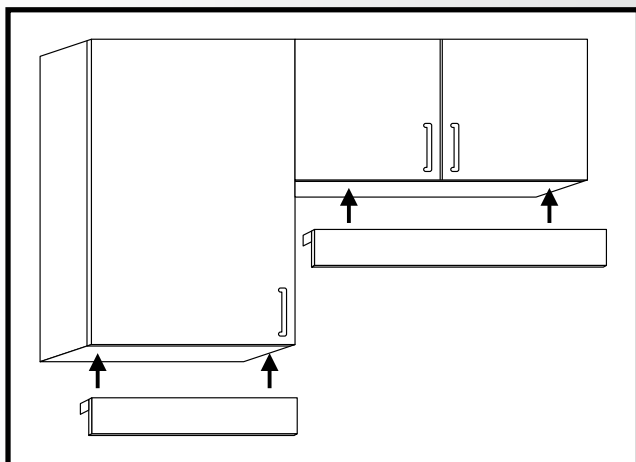


Priced by the linear foot (LF) and sold by the 8' stick.
Sold in multiples designated in item tables below.



*Designed for
Frameless
Cabinets*

LR005-F-XX			
Height	Depth	Sold in Multiples of:	Alder (ALD), Cherry (CH), Hard Maple (HMP), Oak (OK), Poplar (POP)
2"	2-1/8"	24 linear feet (3 sticks)	



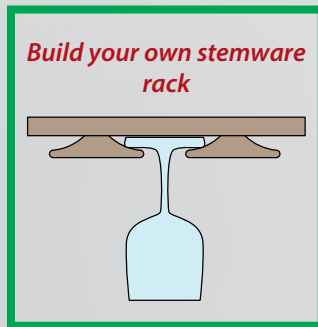
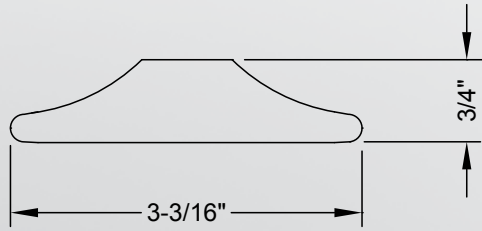


Stemware

Moulding & Trim

"xx" in item number represents species code

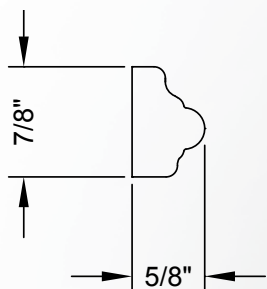
Shown actual size



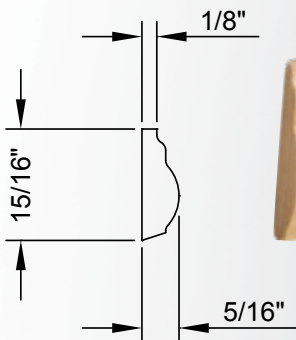
STMW-xx			
<i>Height</i>	<i>Depth</i>	Sold in Multiples of:	<i>Alder (ALD), Hard Maple (HMP)</i>
3/4"	3-3/16"	24 linear feet (3 sticks)	

Priced by the linear foot (LF) and sold by the 8' stick.
Sold in multiples designated in item tables below.

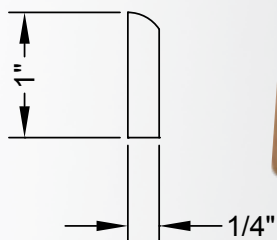
Shown actual size



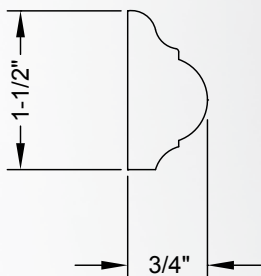
BM1XX			
Height	Depth	Sold in Multiples of: 40 linear feet (5 sticks)	Alder (ALD), Cherry (CH), Hard Maple (HMP), Oak (OK), Poplar (POP)
7/8"	5/8"		



BM2XX			
Height	Depth	Sold in Multiples of: 64 linear feet (8 sticks)	Alder (ALD), Cherry (CH), Hard Maple (HMP), Oak (OK), Poplar (POP)
15/16"	5/16"		



BM3XX			
Height	Depth	Sold in Multiples of: 64 linear feet (8 sticks)	Alder (ALD), Cherry (CH), Hard Maple (HMP), Oak (OK), Poplar (POP)
1"	1/4"		



BM4XX			
Height	Depth	Sold in Multiples of: 24 linear feet (3 sticks)	Alder (ALD), Cherry (CH), Hard Maple (HMP), Oak (OK), Poplar (POP)
1-1/2"	3/4"		



CAP6-2

Width	Depth	Height
3-7/16"	1-3/4"	4-13/16"
Carton Quantity:		50

Alder, Cherry, Hard Maple, Oak, Rubberwood



CAP6-150

Width	Depth	Height
2-5/8"	1-5/16"	3-5/8"
Carton Quantity:		100

Alder, Cherry, Hard Maple, Oak, Rubberwood



CAP6-250

Width	Depth	Height
4-7/16"	2-3/16"	5-7/8"
Carton Quantity:		50

Alder, Cherry, Hard Maple, Oak, Rubberwood



SPLH150

Width	Depth	Height
2-1/4"	1-1/16"	10"
Carton Quantity:		50

Alder, Cherry, Hard Maple, Oak, Poplar



SPLH2

Width	Depth	Height
2-3/4"	1-5-16"	10"
Carton Quantity:		45

Alder, Cherry, Hard Maple, Oak, Poplar



SPLH250

Width	Depth	Height
3-1/4"	1-9/16"	10"
Carton Quantity:		40

Alder, Cherry, Hard Maple, Oak, Poplar

Column Transitions



SPLICE150

Width	Depth	Height
2-1/4"	1-1/8"	2-1/2"

Carton Quantity: 50

Alder, Cherry, Hard Maple, Oak



SPLICE2

Width	Depth	Height
2-3/4"	1-3/8"	3"

Carton Quantity: 50

Alder, Cherry, Hard Maple, Oak



SPLICE250

Width	Depth	Height
3-1/4"	1-5/8"	3-1/2"

Carton Quantity: 50

Alder, Cherry, Hard Maple, Oak



TF150

Width	Depth	Height
2-1/4"	1-1/8"	3-1/2"

Carton Quantity: 100

Alder, Cherry, Hard Maple, Oak



TF2

Width	Depth	Height
2-3/4"	1-3/8"	4-1/2"

Carton Quantity: 100

Alder, Cherry, Hard Maple, Oak



TF250

Width	Depth	Height
3-1/4"	1-5/8"	5-1/2"

Carton Quantity: 100

Alder, Cherry, Hard Maple, Oak,
Rubberwood



Columns

Moulding & Trim

"xx" in item number represents species code



CMR150xx†

Width	Depth
1-1/2"	11/16"

Sold in Multiples of:
24 linear feet (3 sticks)

Alder (ALD), Cherry (CH), Hard Maple (HMP), Oak (OK), Poplar (POP)

CMR2xx†

Width	Depth
2"	7/8"

Sold in Multiples of:
24 linear feet (3 sticks)

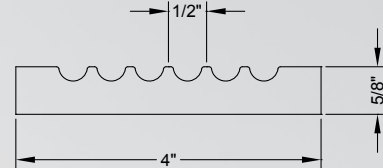
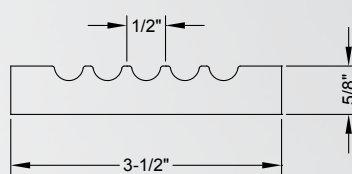
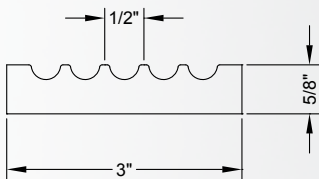
Cherry (CH)



Fluted Columns



Priced by the linear foot (LF) and sold by the 8' stick.
Sold in multiples designated in item tables below.

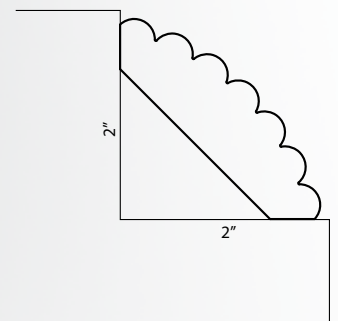
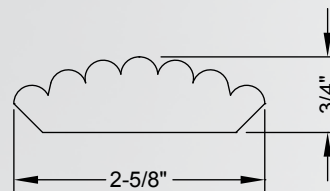
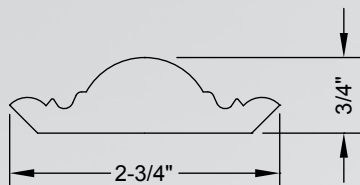


FLT2XX		
Width	Depth	Length
3"	5/8"	96"
Sold in Multiples of: 24 linear feet (3 sticks)		
Alder (ALD), Cherry (CH), Oak (OK), Poplar (POP)		

FLT3XX		
Width	Depth	Length
3-1/2"	5/8"	96"
Sold in Multiples of: 24 linear feet (3 sticks)		
Alder (ALD), Cherry (CH), Hard Maple (HMP), Oak (OK), Poplar (POP)		

FLT4XX		
Width	Depth	Length
4"	5/8"	96"
Sold in Multiples of: 24 linear feet (3 sticks)		
Alder (ALD), Cherry (CH), Hard Maple (HMP), Oak (OK), Poplar (POP)		

"xx" in item number represents species code



CC4xx		
Width	Depth	Length
2-3/4"	3/4"	96"

Sold in Multiples of:
24 linear feet (3 sticks)

Alder (ALD), Cherry (CH), Hard
Maple (HMP), Oak (OK), Poplar
(POP)

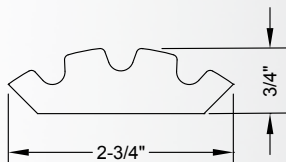
CC5xx		
Width	Depth	Length
2-5/8"	3/4"	96"

Sold in Multiples of:
24 linear feet (3 sticks)

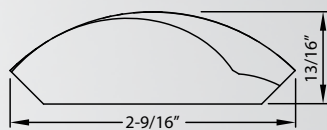
Alder (ALD), Cherry (CH), Hard
Maple (HMP), Oak (OK), Poplar
(POP)

Corners

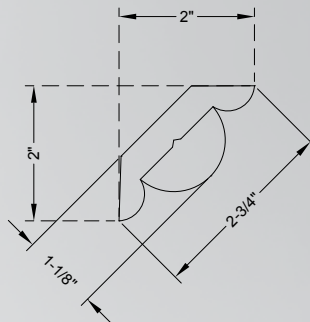
Priced by the linear foot (LF) and sold by the 8' stick.
Sold in multiples designated in item tables below.



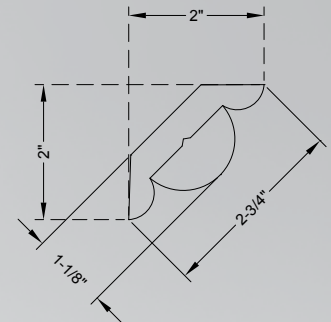
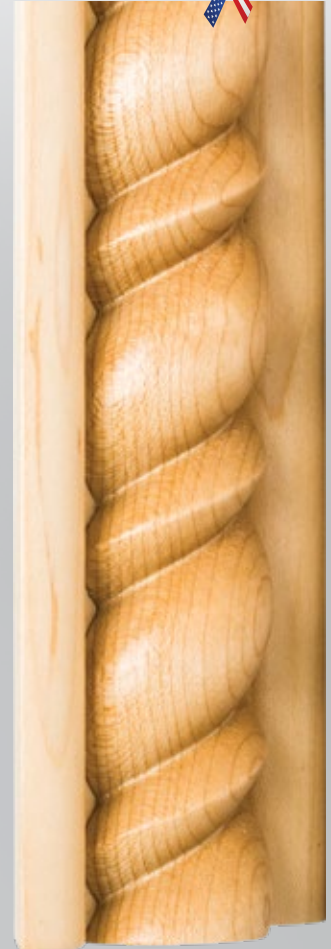
CC1XX		
Width	Depth	Length
2-3/4"	3/4"	96"
Sold in Multiples of: 24 linear feet (3 sticks)		
Alder (ALD), Cherry (CH), Hard Maple (HMP), Oak (OK), Poplar (POP)		



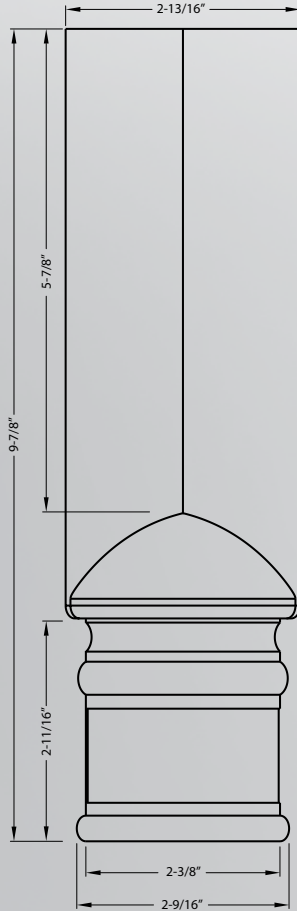
CC2XX		
Width	Depth	Length
2-11/16"	7/8"	96"
Sold in Multiples of: 24 linear feet (3 sticks)		
Alder (ALD), Ash (ASH), Cherry (CH), Hard Maple (HMP), Oak (OK), Poplar (POP)		



MC5XX		
Width	Depth	Length
2-3/4"	1-1/8"	96"
Sold in Multiples of: 24 linear feet (3 sticks)		
Alder (ALD), Cherry (CH), Hard Maple (HMP), Oak (OK), Poplar (POP)		



MC5BXX		
Width	Depth	Length
2-3/4"	1-1/16"	96"
Sold in Multiples of: 24 linear feet (3 sticks)		
Alder (ALD), Cherry (CH), Hard Maple (HMP), Oak (OK), Poplar (POP)		

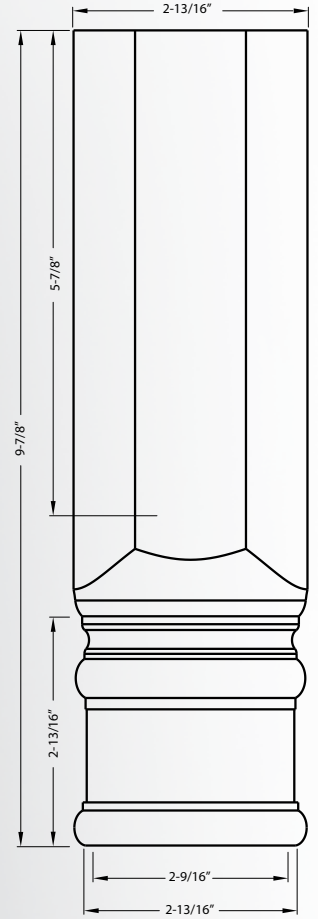
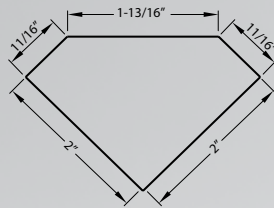


TB1

Width	Depth	Height
2-7/8"	1-7/8"	9-7/8"

Carton Quantity: 50

Alder, Cherry, Hard Maple, Oak, Rubberwood

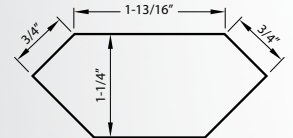


TB1A

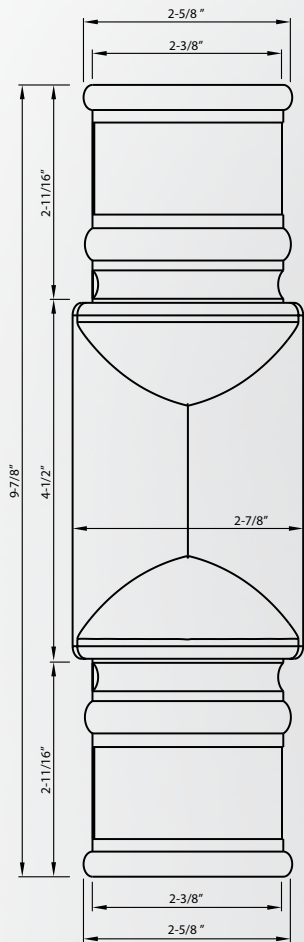
Width	Depth	Height
2-13/16"	1-1/4"	9-7/8"

Carton Quantity: 50

Alder, Cherry, Hard Maple, Oak, Rubberwood

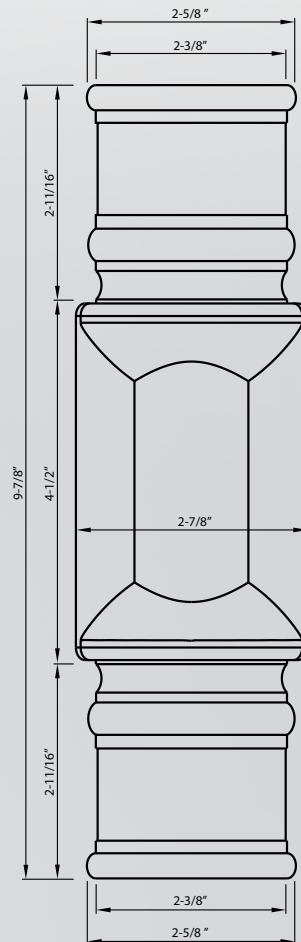
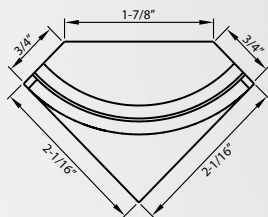


Transition Blocks



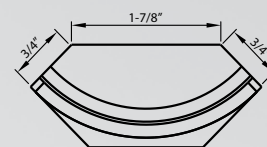
TB5		
Width	Depth	Height
2-7/8"	2"	9-7/8"
Carton Quantity:		50

Alder, Cherry, Hard Maple, Oak, Rubberwood



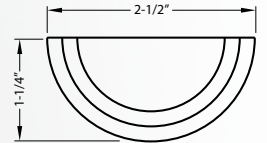
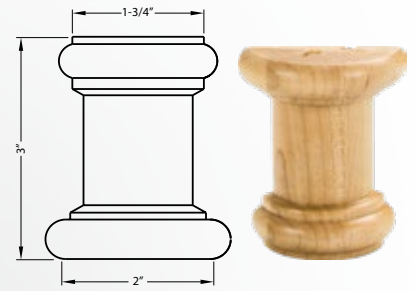
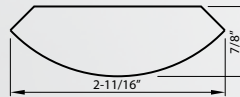
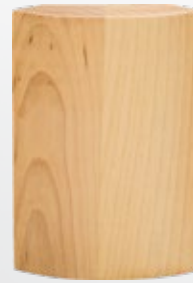
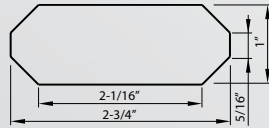
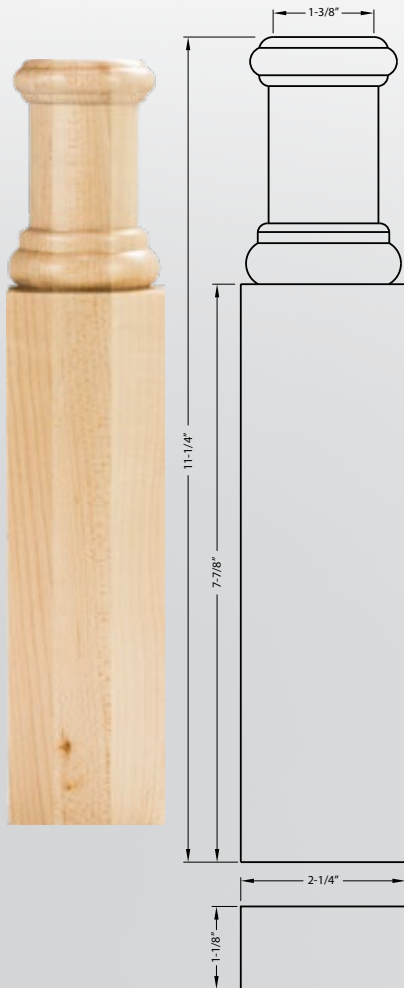
TB5A		
Width	Depth	Height
2-7/8"	2"	9-7/8"
Carton Quantity:		50

Alder, Cherry, Hard Maple, Oak, Rubberwood



Transition Blocks

Moulding
& Trim



TB4

Width	Depth	Height
2-3/4"	1"	4"
Carton Quantity:		50
<i>Alder, Cherry, Hard Maple, Oak, Poplar</i>		

TB3

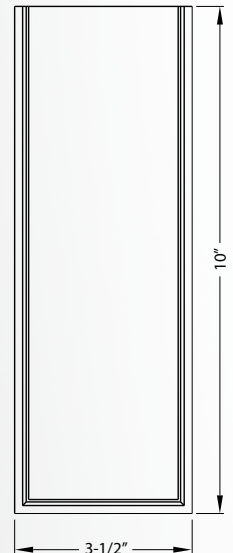
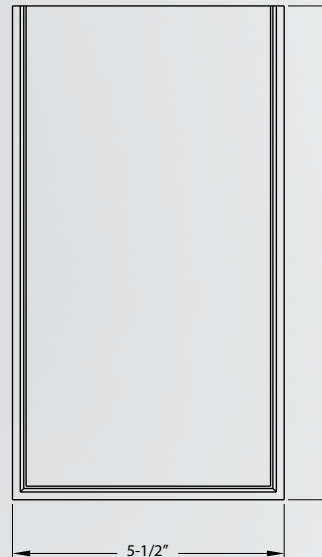
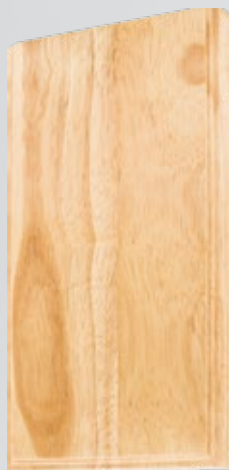
Width	Depth	Height
2-11/16"	7/8"	4"
Carton Quantity:		100
<i>Alder, Cherry, Hard Maple, Oak, Poplar</i>		

SPOL1

Width	Depth	Height
2-1/2"	1-1/4"	3"
Carton Quantity:		100
<i>Cherry, Hard Maple, Rubberwood</i>		

TB7

Width	Depth	Height
2-1/4"	1-1/8"	11-1/4"
Carton Quantity:		50
<i>Hard Maple, Rubberwood</i>		



PLN1

Width	Depth	Height
5-1/2"	7/8"	10"
Carton Quantity:		20
<i>Rubberwood</i>		

PLN2

Width	Depth	Height
3-1/2"	7/8"	10"
Carton Quantity:		25
<i>Rubberwood</i>		

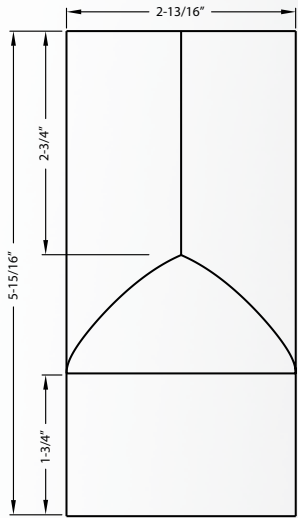
Moulding Cornice Blocks



Outside Cornice Block

Inline Cornice Block

Inside Cornice Block



MCB-3

Width	Depth	Height
4"	4"	6-1/4"

Carton Quantity: 20

Rubberwood

MCB-1

Width	Depth	Height
3"	3"	6-1/4"

Carton Quantity: 20

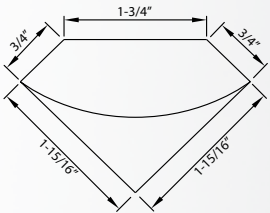
Rubberwood

MCB-2

Width	Depth	Height
3"	3"	6-1/4"

Carton Quantity: 20

Rubberwood

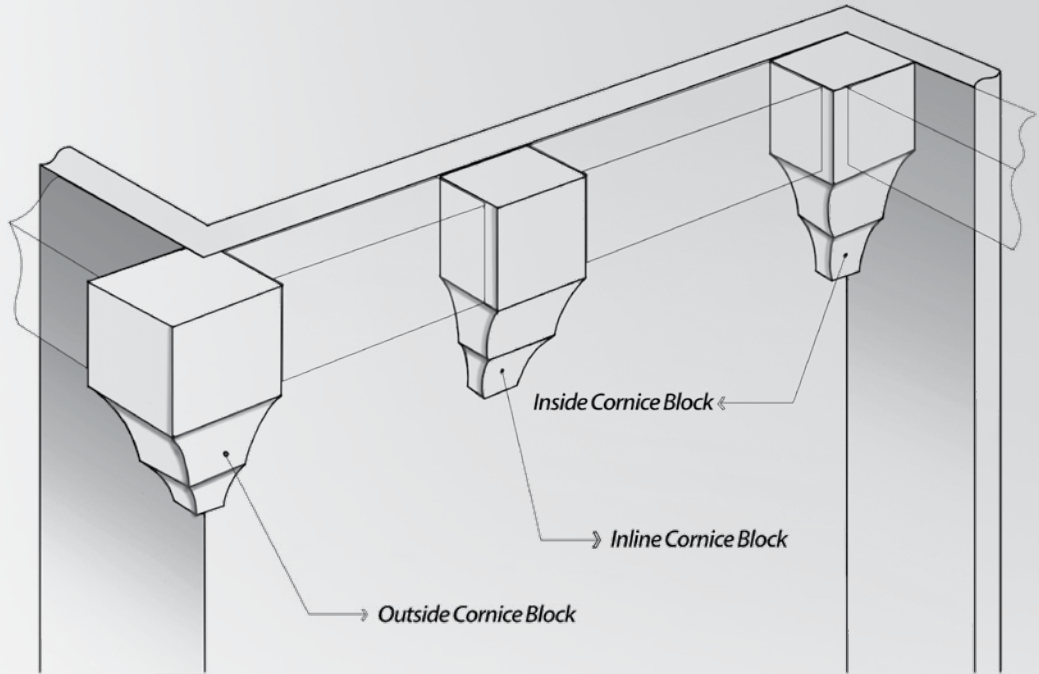


TB2

Width	Depth	Height
2-13/16"	1-7/8"	5-15/16"

Carton Quantity: 50

Alder, Cherry, Hard Maple, Oak, Rubberwood





ROS1		
Width	Depth	Height
3"	7/8"	3"
Carton Quantity:		100
Alder, Hard Maple, Oak		



ROS2		
Width	Depth	Height
3"	7/8"	3"
Carton Quantity:		100
Alder, Hard Maple		



ROS3		
Width	Depth	Height
3-1/2"	1-1/8"	3-1/2"
Carton Quantity:		100
Alder, Hard Maple, Oak		



ROS6		
Width	Depth	Height
5-1/2"	7/8"	5-1/2"
Carton Quantity:		30
Rubberwood		



ROS5		
Width	Depth	Height
3-1/2"	7/8"	3-1/2"
Carton Quantity:		100
Rubberwood		



ROS4		
Width	Depth	Height
4"	1"	4"
Carton Quantity:		100
Hard Maple, Oak, Poplar		

Rosettes



SROS1

Width	Depth	Height
3"	7/8"	3"
Carton Quantity:		100

Alder, Hard Maple,
Rubberwood, White Birch

SROS2

Width	Depth	Height
3-1/2"	7/8"	3-1/2"
Carton Quantity:		100

Alder, Hard Maple,
Rubberwood, White Birch

SROS3

Width	Depth	Height
4"	7/8"	4"
Carton Quantity:		50

Alder, Hard Maple,
Rubberwood, White Birch



FDLROS1

Width	Depth	Height
3"	7/8"	3"
Carton Quantity:		100

Alder, Cherry, Hard Maple,
Oak, Rubberwood

FDLROS2

Width	Depth	Height
3-1/2"	7/8"	3-1/2"
Carton Quantity:		100

Alder, Cherry, Hard Maple,
Oak, Rubberwood

FDLROS3

Width	Depth	Height
4"	7/8"	4"
Carton Quantity:		50

Alder, Cherry, Hard Maple,
Oak, Rubberwood

2020
A **Cyncly** Company

Visualize our products in
your designs by adding
our product catalogs to
2020 Design.



Scan to view all of our design software product
catalogs and a full Excel SKU list. Or visit:
<https://designsoftware.hardwareresources.com>



Our 2020 Design product catalogs:

- Decorative Wood
- NorthPoint Cabinetry
- Jeffrey Alexander Vanities
- Cabinet Organizers
- Task Lighting & Power
- Decorative Hardware

**NORTH
POINT**
CABINETS®

JEFFREY ALEXANDER®
by Hardware Resources
ELEMENTS®
by Hardware Resources

TASK™
lighting & power

For troubleshooting or software design issues, please contact the 2020 helpdesk at
866-697-2020 or email them at residentialsupport@2020spaces.com

hardware
resources®

800.463.0660 | www.HardwareResources.com

[373]

Dovetail Drawer Boxes



*Scan to watch a video about
our dovetail drawer boxes*

Or visit delivr.com/2an3s



Our custom dovetail drawer boxes are available in a wide range of sizes and species making them the perfect fit for any project. Save your labor and upgrade your project with our custom dovetail drawer boxes, proudly assembled in the USA. We can also add value to your project with complimentary laser logo engraving inside the drawer boxes.

Ordering specifications:

- Standard drawer, rollout, or high-back rollout boxes
- Assembled or unassembled
- Standard heights with custom depth & width
- 1/4" standard or 1/2" bottom
- Optional universal notch for undermount slides
- Optional undermount slide clip factory installed

Easy Online
Ordering &
Instant Price
Quoting

See website
for details

Production and delivery:

- Competitive pricing
- Standard 7-day turnaround after order confirmation
- Quick-to-ship production for qualifying states

- A** 5/8" Hard Maple UV Coated or Unfinished
- B** 5/8" Aspen UV Coated
- C** 5/8" White Birch, Imported, Finger Jointed. UV Coated
- D** 5/8" Rustic White Birch, Imported, Finger Jointed .. UV Coated
- E** 5/8" Rubberwood, Imported, Finger Jointed UV Coated
- F** 1/2" Birch Plywood UV Coated or Unfinished
- G** 1/2" Birch Plywood Edgebanded UV Coated

HEIGHT OPTIONS	2"	2.5"	3"	3.5"	4"	5"	6"	7"	8"	9"	9.5"	10"	11"	12"
1/2" Birch Plywood	x	x	x	x	x	x	x	x	x	x	x	x	x	
1/2" Edgebanded Plywood		x	x		x	x	x	x	x	x		x	x	
5/8" Hardwoods	x	x	x	x	x	x	x	x	x	x	x	x	x	x
High-Back (all species)							x	x	x	x	x	x	x	x

*All high-back drawers will have a 3" front and a scoop cutout on the front face. 6" minimum height.

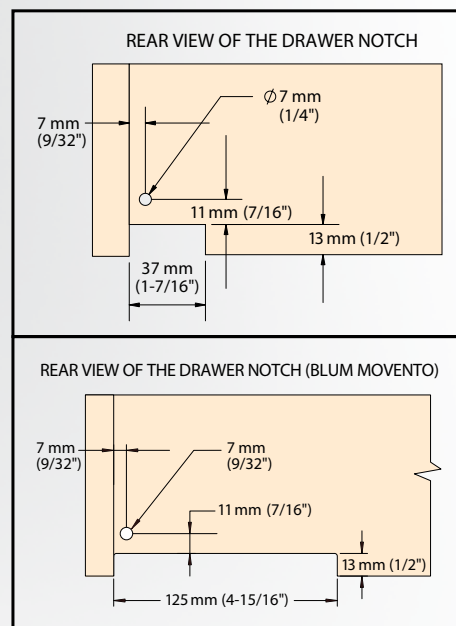
SIZING	Min. Depth	Max. Depth	Min. Width (without clips)	Min. Width (with clips)	Max. Width	Min. Height
Standard Drawer						
5/8" Material	7"	51"	6"	See table below	51"	2"
1/2" Material	7"	51"	6"	See table below	51"	2"
Rollout Drawer						
5/8" Material	7"	51"	6"	See table below	51"	2"
1/2" Material	7"	51"	6"	See table below	51"	2"
High-Back Rollout						
5/8" Material	12"	51"	5-1/2"	See table below	51"	6"
1/2" Material	12"	51"	5-1/2"	See table below	51"	6"

MIN. BOX WIDTH WITH UNDERMOUNT (See clip details on pages 28-29)

	US-CLIP2ND-XX	US-CLIP-2W	US-CLIP-NR	USCLIP500-2-XX
5/8" Material	7.25"	6.25"	4.875"	8.25"
1/2" Material	7"	6"	4.5"	8"

#6 x 5/8" pan head screw recommended for installation.

Drawer boxes are cut and assembled in the USA by Hardware Resources. Hard Maple and Aspen are North American hardwoods. White Birch, Rustic White Birch, and Rubberwood are imported A/B grade hardwood, laminated & finger jointed. Birch plywood is Carb Compliant 9-ply high density plywood with no internal voids. UV cured coating is 100% solid and contains no VOC. Each UV coated piece is double coated to ensure a lasting finish.



Rollouts & High-Back Rollouts



Rollout

High-Back Rollout
(minimum 6" height)

Finger joints may be visible on top edge of box for White Birch

Drawer Box Linear Material



White Birch, Finger Jointed

	Height	Thickness	Coating	Ctn Qty
DW58X030	3"	5/8"	UV Coated	80LF
DW58X035	3-1/2"	5/8"	UV Coated	80LF
DW58X040	4"	5/8"	UV Coated	80LF
DW58X060	6"	5/8"	UV Coated	40LF
DW58X080	8"	5/8"	UV Coated	40LF
DW58X100	10"	5/8"	UV Coated	40LF

White Birch drawer box linear material is sold in 8' lengths in full carton quantity only

Aspen

	Height	Thickness	Coating	Ctn Qty
DA58X030	3"	5/8"	UV Coated	80LF
DA58X040	4"	5/8"	UV Coated	80LF
DA58X060	6"	5/8"	UV Coated	72LF
DA58X080	8"	5/8"	UV Coated	56LF
DA58X100	10"	5/8"	UV Coated	56LF

Aspen drawer box linear material is sold in random lengths of 5'-8'



Complimentary High Definition Laser Engraving on Hardwood Boxes

(upcharge per box for plywood)

Simply provide a high-resolution logo file. We'll do the rest!

Accepted file types are EPS, AI, PDF, PSD, JPEG, PNG, TIFF.

Maximum logo size is 1-1/2" tall x 6" wide. Minimum box height for engraving is 3".

Not available on high-back rollouts or boxes over 24" deep.

Placed on the front left inside edge of the box.

One logo per customer. Logos are kept on file for future orders.

Don't have a logo? Choose from our preselected fonts to customize the company name.

Custom Dovetail Drawer Boxes Warranty

Hardware Resources believes in quality, integrity, and reliability. We uphold the highest standards of service and responsibility in the industry. As such, Hardware Resources believes in quality, integrity, and reliability. We uphold the highest standards of service and responsibility in the industry.

Hardware Resources warrants Dovetail Drawer Boxes against defects in material and workmanship as long as the original consumer purchaser owns the products, if the original consumer purchased the products from an authorized distributor of Hardware Resources. Hardware Resources cannot guarantee the quality or condition of products from distributors who do not agree to meet our high standards, and therefore, no warranty is provided for products from unauthorized sellers.

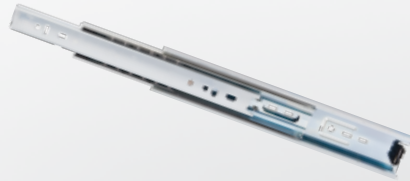
Hardware Resources will send the original consumer purchaser, without charge, a new drawer box of equal size and species to replace any defective box subject to this warranty. This warranty is a warranty of replacement only. Hardware Resources specifically does not warrant removal of the defective box nor installation of a new box. This warranty does not cover boxes that have been incorrectly installed, exposed to excessive loads or forces, or otherwise used in any manner contrary to their intended purpose. Hardware Resources purchases FAS grade lumber and will not be held responsible for naturally occurring characteristics of the species allowed by the lumber grade. In the event the defective Hardware Resources box size or type is obsolete or has been discontinued, Hardware Resources reserves the right to replace the defective box with a current offering. No guarantee of interchangeability is offered.

In the unlikely event that a defective box is encountered, please contact Customer Service at 800.463.0660. Please be able to provide a brief description and photographs of the defect.

Custom Tray Organizers



Rollout Box
(Pages 380-382)



Drawer Slides
(Pages 42-43)



QuickTray Pilaster System
(Page 63)



Customized Storage Solutions



Pots & Lids

Maximize kitchen space with custom storage solutions

Our custom order-to-size rollouts are cut and assembled in our plant in Louisiana. Add our best-selling Dura-Close® drawer slides and our QuickTray pilaster system, and you can create custom storage solutions for your customers. These items are great for pantries, pot and lid storage, small kitchen appliances and miscellaneous kitchen wares. They're customizable for any size cabinet, existing or new construction.



Storage



Pantry

Skip the *measure...design...wait...* process

- Order rollout drawers that are **IN STOCK**
- Ships same day—receive it in 2–3 days
- Ships fully assembled
- Easily and quickly installs with four screws (included)
- For existing cabinets or new construction
- Designed to fit standard cabinet sizes



	Width	Depth	Height	Bottom	Minimum Opening	Standard Cab. Size	Weight Capacity
RO12-WB	10-1/4"	21-1/4"	7"	1/4"	11-1/2"	15" base	100 lb
RO15-WB	13-1/4"	21-1/4"	7"	1/4"	14-1/2"	18" base	100 lb
RO18-WB	16-1/4"	21-1/4"	7"	1/4"	17-1/2"	21" base	100 lb
RO21-WB	19-1/4"	21-1/4"	7"	1/4"	20-1/2"	24" base	100 lb
RO24-WB	22-1/16"	21-1/4"	7"	1/2"	23-1/2"	27" base	100 lb
RO27-WB	25-1/16"	21-1/4"	7"	1/2"	26-1/2"	30" base	100 lb
RO33-WB	31-1/16"	21-1/4"	7"	1/2"	32-1/2"	36" base	100 lb
ROVHB12-WB	10-1/16"	18-7/16"	9"	1/4"	11-1/2"	15" vanity	100 lb
ROVHB15-WB	13-1/16"	18-7/16"	9"	1/4"	14-1/2"	18" vanity	100 lb
ROVHB18-WB	16-1/16"	18-7/16"	9"	1/4"	17-1/2"	21" vanity	100 lb



Beautiful White Birch dovetail boxes with UV coating

Drawer boxes are assembled in our plant in the USA

Featuring concealed undermount 3/4 extension soft-close slides

For your Bath

- Reclaim the space in bathroom cabinets
- 18" depth designed for bath cabinets
- Use multiple rollouts for wide cabinets

High-Back Drawers: 8" Back & 3" Front Drawer Height



For 12" opening
ROVHB12-WB



For 15" opening
ROVHB15-WB



For 18" opening
ROVHB18-WB



ROVHB15-WB & ROVHB12-WB shown in use

For your Kitchen

Rollout Drawers: 6" Drawer Height



For 12" opening
RO12-WB

For 15" opening
RO15-WB

For 18" opening
RO18-WB

For 21" opening
RO21-WB



For 24" opening
RO24-WB
1/2" bottom panel

For 27" opening
RO27-WB
1/2" bottom panel

For 33" opening
RO33-WB
1/2" bottom panel



It's That Easy!



1 Measure

Measure the cabinet's interior width, depth and height. Hold your tape parallel to the cabinet's walls. Note any pipes, shelves, or hinges that may affect actual available space.



2 Set

Set your drawer base in place making sure you can open and close the cabinet door easily.



3 Secure

Using your Phillips screwdriver (or drill) and the screws provided, secure your organizer base. Place the drawer back on the base, and you're all done!

All you need:

Phillips Screwdriver

Cordless Drill



OR

Measuring Tape



Scan to watch a video
about this product
Or visit delivr.com/2uf4p



Calculating Drawer Box Sizes for Ordering

5/8" Hardwood Drawer Side Material

WIDTH

- When using Hardware Resources (HR) undermount slides, use this calculation:
 $\text{OVERALL WIDTH} = \text{DRAWER OPENING MINUS } 3/8''$.
- When using HR ball bearing or epoxy slides, $\text{OVERALL WIDTH} = \text{DRAWER OPENING MINUS } 1''$.
- When using another manufacturer's slide, follow the manufacturer's slide specifications using 5/8" drawer side material to calculate Overall Width.

HEIGHT

- When using HR undermount slides, $\text{OVERALL HEIGHT} = \text{DRAWER OPENING MINUS } 3/4''$.

LENGTH

- When using HR undermount slides, the OVERALL LENGTH should equal the corresponding slide length (example: if using the USE21 the drawer depth would be 21").
- When using another manufacturer's slide, follow the manufacturer's slide specifications using 5/8" drawer side material to calculate Overall Length.

1/2" Plywood Drawer Side Material

WIDTH

- When using HR undermount slides, $\text{OVERALL WIDTH} = \text{DRAWER OPENING MINUS } 5/8''$.
- When using HR ball bearing or epoxy slides, $\text{OVERALL WIDTH} = \text{DRAWER OPENING MINUS } 1''$.
- When using another manufacturer's slide, follow the manufacturer's slide specifications using 1/2" drawer side material to calculate Overall Width.

HEIGHT

- When using HR undermount slides, $\text{OVERALL HEIGHT} = \text{DRAWER OPENING MINUS } 3/4''$.

LENGTH

- When using HR undermount slides, the OVERALL LENGTH of the box is the corresponding slide length MINUS 1/8" (example: 20-7/8" on a 21" slide).
- When using another manufacturer's slide, follow the manufacturer's slide specifications using 1/2" drawer side material to calculate Overall Length.

