



LOOKING FOR AN ANGLE POWER STRIP?

This selection guide will walk through how to select an Angle Power Strip perfect for any job. Don't see what you're looking for in the standard options? **Contact Design Services at 866-848-9094 or email DesignAndSupport@TaskLighting.com** for help on customizing a Slim Profile (APT Series) or Duplex Receptacle (TR Series) Angle Power Strip.

STEP 1 Do you want Single or Duplex Receptacles?

Things to keep in mind when selecting receptacle style: The Duplex Receptacle (TR Series) offers a wider variety of custom options.

Single Receptacle

APT Series

- Slim profile
- Multiple standard lengths and 15-amp receptacles
- Customize fixture with additional receptacles and switches, custom lengths, and receptacle/switch placement—call Design Services at 866-848-9094 for custom orders



15-amp
Single Receptacle

Duplex Receptacle

TR Series

- Multiple standard lengths and 20-amp receptacles
- Customize fixture with additional 20-amp receptacles and switches, custom lengths, receptacle/switch placement, and more see page 50 for more options—call Design Services at 866-848-9094 for custom orders



20-amp
Duplex
Receptacle

TR-USB Series

- Available in standard fixtures only—for customization, see the TR Series and custom options on page 50
- One 15-amp USB-A/receptacle combo located on left side
- Duplex receptacle quantity and placement determined by length of fixture



15-amp
USB-A/
Receptacle
Combo



20-amp
Duplex
Receptacle

TRS Series

- Available in standard fixtures only—for customization, see the TR Series and custom options on page 50
- One 15-amp switch receptacle combo in 9" and 12" fixtures
- One 15-amp dual switch device in 18"–36" fixtures. Select right or left side for switch location
- Duplex receptacle quantity and placement determined by length of fixture



15-amp
Switch/
Receptacle
Combo



15-amp
Dual
Switch



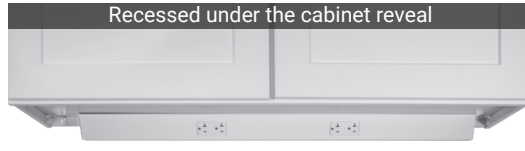
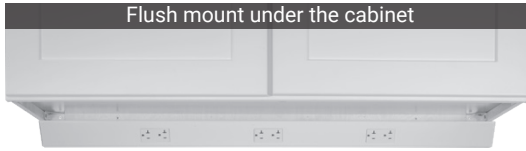
20-amp
Duplex
Receptacle

STEP 2 Select the desired standard length for the fixture

Things to keep in mind when selecting fixture length: Angle Power Strip Fixtures can be mounted two ways: flush under the cabinet or recessed under the cabinet reveal.



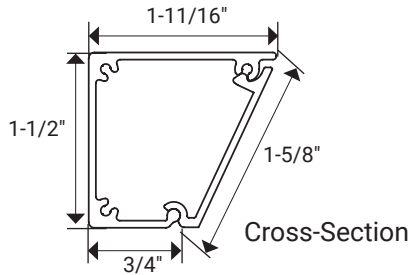
Scan to view sizing chart
<https://delivr.com/2axfm>



APT Series

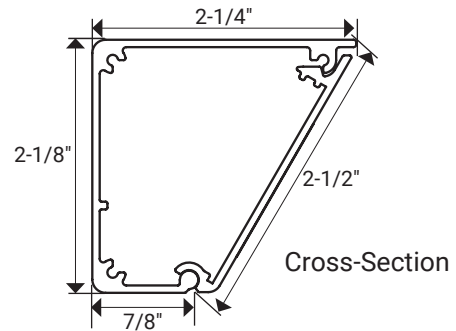
- 9" (229 mm) **APT9-2Color-P-Finish-Position***
- 12" (305 mm) **APT12-2Color-P-Finish-Position***
- 18" (457 mm) **APT18-3Color-P-Finish-Position***
- 24" (610 mm) **APT24-4Color-P-Finish**
- 30" (762 mm) **APT30-4Color-P-Finish**
- 36" (914 mm) **APT36-4Color-P-Finish**
- 42" (1067 mm) **APT42-5Color-P-Finish**
- 48" (1219 mm) **APT48-5Color-P-Finish**
- 60" (1524 mm) **APT60-7Color-P-Finish**
- 72" (1829 mm) **APT72-8Color-P-Finish**

*Position indicates Left (L) or Right (R) side wire entry



TR-USB Series

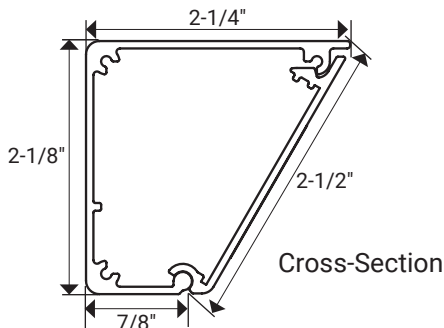
- 9" (229 mm) **TRU9-1ColorD-P-Finish**
- 12" (305 mm) **TRU12-1ColorD-P-Finish**
- 18" (457 mm) **TRU18-2ColorD-P-Finish**
- 24" (610 mm) **TRU24-2ColorD-P-Finish**
- 30" (762 mm) **TRU30-2ColorD-P-Finish**
- 36" (914 mm) **TRU36-2ColorD-P-Finish**
- 42" (1067 mm) **TRU42-3ColorD-P-Finish**
- 48" (1219 mm) **TRU48-3ColorD-P-Finish**
- 60" (1524 mm) **TRU60-4ColorD-P-Finish**
- 72" (1829 mm) **TRU72-4ColorD-P-Finish**



TRS Series

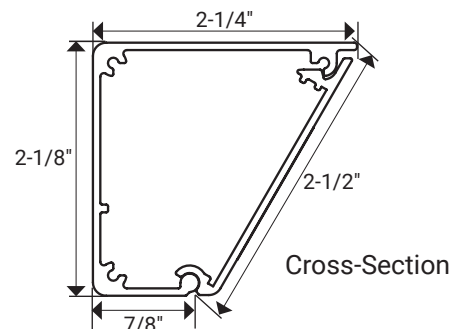
- 9" (229 mm) **TRS9-1Color-Finish**
- 12" (305 mm) **TRS12-1Color-Finish**
- 18" (457 mm) **TRS18-2Color-Finish-Switch***
- 24" (610 mm) **TRS24-3Color-Finish-Switch***
- 30" (762 mm) **TRS30-3Color-Finish-Switch***
- 36" (914 mm) **TRS36-3Color-Finish-Switch***

*Switch indicates Left Side (LS) or Right Side (RS) switch location



TR Series

- 9" (229 mm) **TR9-1ColorD-P-Finish**
- 12" (305 mm) **TR12-1ColorD-P-Finish**
- 18" (457 mm) **TR18-2ColorD-P-Finish**
- 24" (610 mm) **TR24-2ColorD-P-Finish**
- 30" (762 mm) **TR30-2ColorD-P-Finish**
- 36" (914 mm) **TR36-2ColorD-P-Finish**
- 42" (1067 mm) **TR42-3ColorD-P-Finish**
- 48" (1219 mm) **TR48-3ColorD-P-Finish**
- 60" (1524 mm) **TR60-4ColorD-P-Finish**
- 72" (1829 mm) **TR72-4ColorD-P-Finish**



STEP 3 Select the finish option with coordinating receptacle color

Things to keep in mind when selecting a finish: blend with backsplash color to reduce fixture visibility, coordinate with cabinet color, or match nearby hardware.

APT Series

Finish options with coordinating receptacle color (24" fixture shown)

NOTE: If a different finish/receptacle color pairing is desired, call Design Services at 866-848-9094.



Black (B) receptacles, Black (BK) finish



Black (B) receptacles, Bronze (BZ) finish



Grey (G) receptacles, Satin Nickel (SN) finish



White (W) receptacles, White (WT) finish

TR-USB Series

Finish options with coordinating USB/receptacle color (24" fixture shown)



Black (B) receptacles, Black (BK) finish



Black (B) receptacles, Bronze (BZ) finish



Grey (G) receptacles, Satin Nickel (SN) finish



White (W) receptacles, White (WT) finish

TRS Series

Finish options with coordinating switch/receptacle color (24" fixture shown with left side switch)



Black (B) receptacles, Black (BK) finish



Black (B) receptacles, Bronze (BZ) finish



Grey (G) receptacles, Satin Nickel (SN) finish



White (W) receptacles, White (WT) finish

TR Series

Finish options with coordinating receptacle color (24" fixture shown)

NOTE: If a different finish/receptacle color pairing is desired, call Design Services at 866-848-9094.



Black (B) receptacles, Black (BK) finish



Black (B) receptacles, Bronze (BZ) finish



Grey (G) receptacles, Satin Nickel (SN) finish

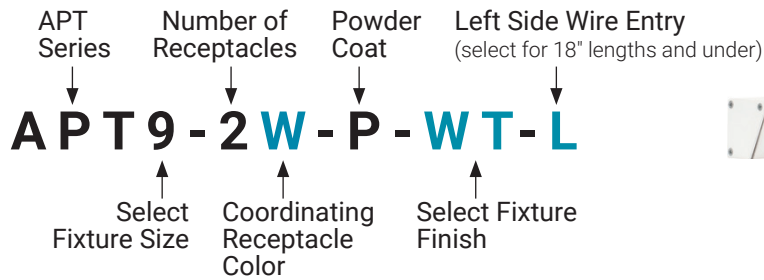


White (W) receptacles, White (WT) finish

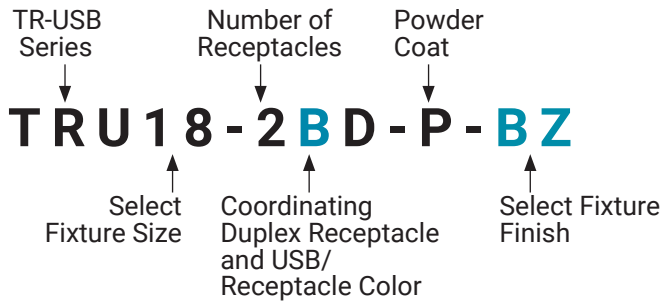
Examples of Angle Power Strip part numbers

Things to keep in mind when selecting a finish: product options, described in Steps 1–3, are indicated in blue. Coordinating receptacle color must match fixture finish in Step 3, otherwise it is a custom fixture.

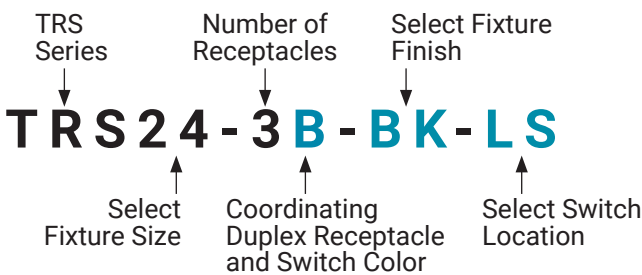
EXAMPLE APT PART NUMBER



EXAMPLE TR-USB PART NUMBER



EXAMPLE TRS PART NUMBER



EXAMPLE TR PART NUMBER

