

Installing the HA200/225 Apron/Farmhouse Sink

hardware
resources[®]

TOOLS NEEDED:

- Eye and Ear Protection
- Pencil
- Tape Measure
- Level
- Saw or Jig Saw
- Silicone
- Sink Template* (Included in Package)

*DXF Files are available at
HardwareResources.com

Additional items needed if a support frame needs to be added to the cabinet:

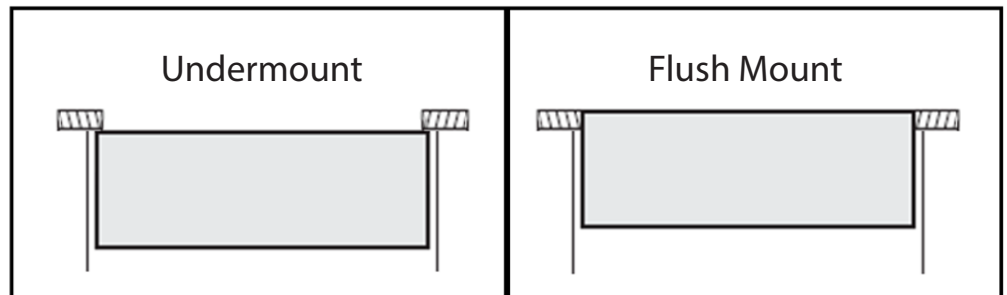
- Construction Adhesive
- Clamps
- Wood or Metal Support Material
- Attachment Screws

Cabinet Requirements:

This sink requires a 36" base cabinet. The spacing from the top of the cabinet to the top of the door needs to accommodate the sink apron height without impeding proper door function.

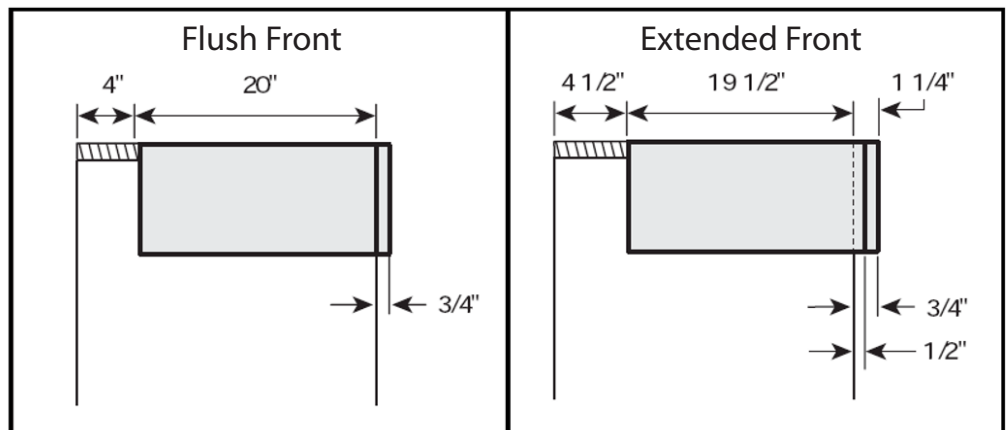
Undermount or Flush Mount Options:

Our Apron/Farmhouse
sinks may be installed
as undermount or flush
mount.



Flush Front or Extended Front Options:

You also have a choice
to have the front corners
of the apron flush to
adjacent cabinets or to
have the front corners
of the apron extend
out beyond the face of
adjacent cabinets by as
much as 1/2".



Spacing Recommendation:

We recommend you make allowances for installation of the backsplash and faucet, ensuring full mobility of the faucet level when determining the sink's installation type and position.

Installation Instructions

PREPARE THE CABINET

If necessary, install a support frame or support bars in the cabinet.

- The support materials should be positioned where the sink will line up with the top of the cabinet or the countertop once installed.
- Ensure the support system is level and secure.

Cut out the front of the cabinet where the sink will line up with the top of the cabinet once installed.

PREPARE THE COUNTERTOP

Prepare the countertop with the supplied sink cut-out template.

TEST THE FIT OF THE SINK AND SET THE SINK

Place the sink in the opening on the supports. The weight of the sink should be fully supported by the supports you added.

- Make sure the sink is leveled and in the desired placement in comparison to the adjacent cabinets.
- If the sink is not fitting properly, remove the sink and make adjustments as necessary.

Once all modifications are complete and the sink fits properly, remove the sink and run a bead of silicone along the top of the supports.

Place the sink back into the opening onto the supports, ensuring the sink is level.

INSTALL THE SINK AND COUNTERTOP

Apply silicone sealant between the sink and the countertop.

In undermount application, place countertop onto the sink. In flush mount application, place countertop around sink edges.

Remove any excess silicone from all surfaces.

Allow the silicone time to dry based on the manufacturer's suggestion before installing the faucet or other accessories (Typically 24 hours).

